

SPHERE PULL-UP BAR

FITS T3, X3, AND TITAN SERIES RACKS

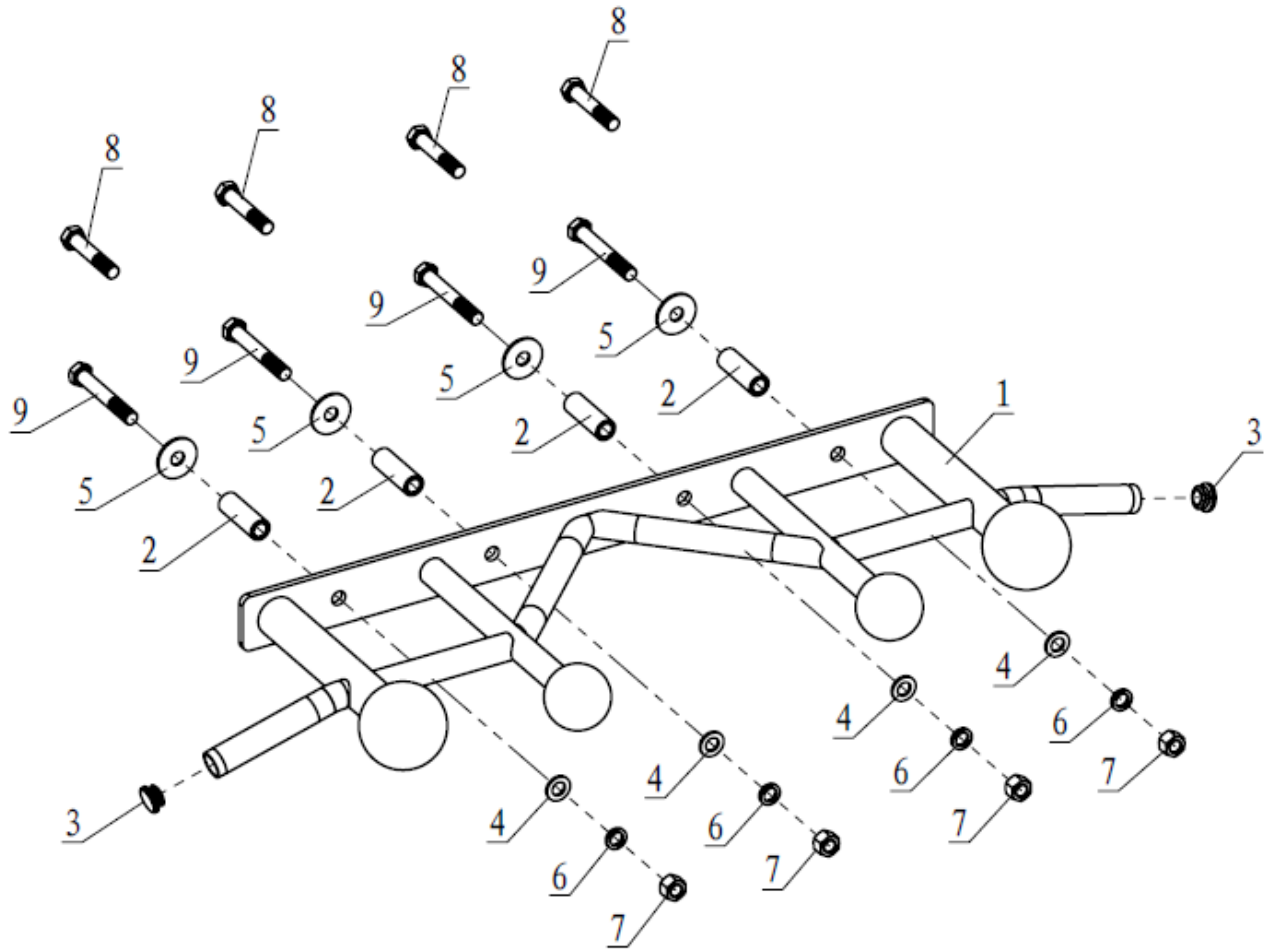
SPHPUBAR_T3X3TS
401642



Operator's Manual

Read the Operator's Manual entirely. When you see this symbol, the subsequent instructions and warnings are serious follow without exception. Your life and the lives of others depend on it!

PARTS DIAGRAM / EXPLODED VIEW



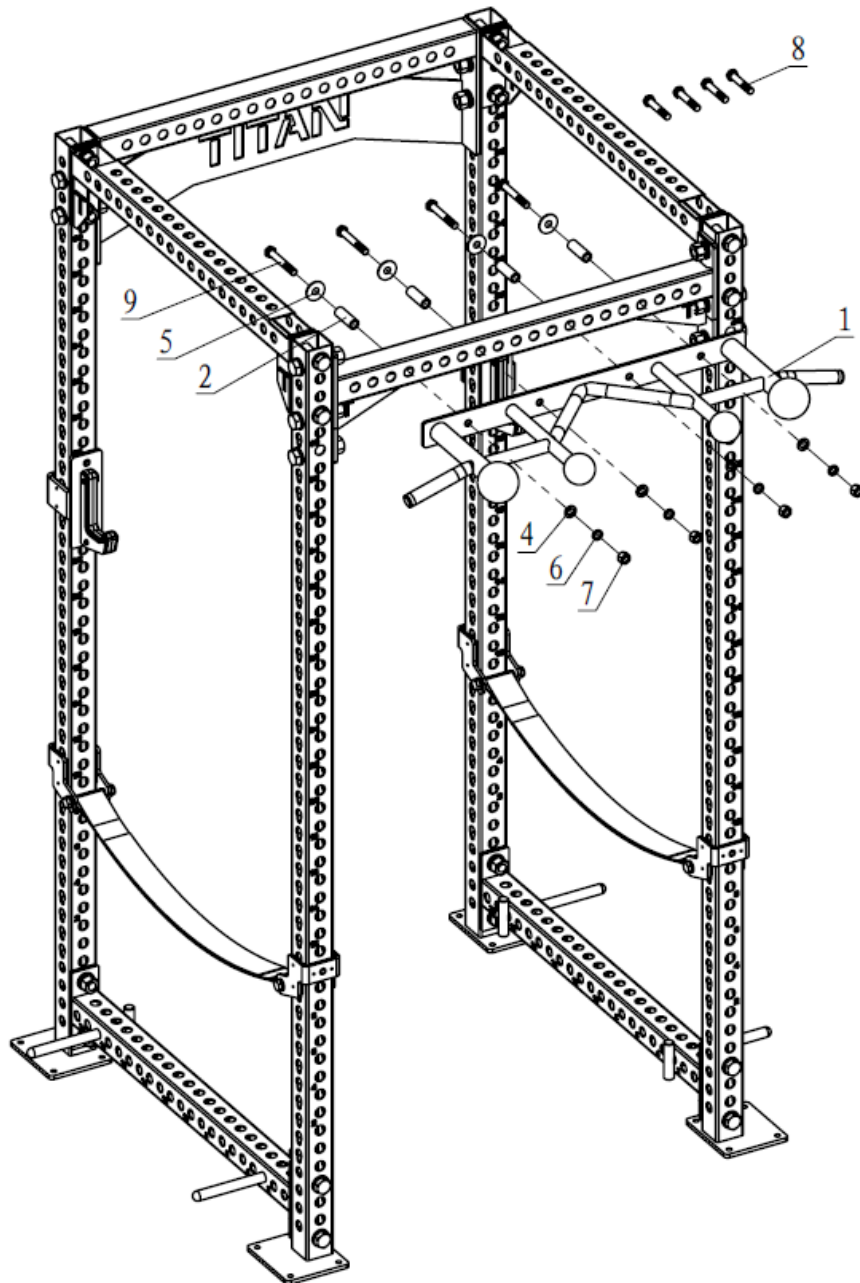
KEY	BOX	DESCRIPTION	QTY	KEY	BOX	DESCRIPTION	QTY
1	1	SPHERE PULL-UP BAR	1	6	1	SPRING WASHER $\Phi 16$	4
2	1	SPACER BUSH	4	7	1	NUT M16	4
3	1	END CAP $\Phi 32*3$	2	8	1	HEX BOLT M16*85	4
4	1	FLAT WASHER $\Phi 17*\Phi 30*3$	4	9	1	HEX BOLT M16*110	4
5	1	FLAT WASHER $\Phi 17*\Phi 50*3$	4				

ASSEMBLY INSTRUCTIONS

STEP 1

Assemble the Sphere Pull-up Bar (1) with TSTBLGST on TITAN Rack, using Spacer Bush (2), Flat Washer $\Phi 17 \times \Phi 30 \times 3$ (4), Flat Washer $\Phi 17 \times \Phi 50 \times 3$ (5), Spring Washer $\Phi 16$ (6), Nut M16 (7) and Hex Bolt M16*110 (9).

- **SPHPUBAR_T3X3TS** can be used with **T3, X3** and **TITAN** Series Rack.
- **Spacer Bush (2)** is used only on **TITIAN** Rack.
- **X3** and **TITAN** Rack are secured with **Hex Bolt M16*110 (9)**.
- **T3** Rack is secured with **Hex Bolt M16*85 (8)**.



ACKNOWLEDGEMENT OF RISK AND RELEASE OF LIABILITY

The use of any equipment, including this one, involves the potential risk of injury. Apart from any warranty claim that might be presented for a claimed defect in material or workmanship of the product, you accept and assume full responsibility for any and all injuries, damages (both economic and non-economic), and losses of any type, which may occur, and you fully and forever release and discharge Titan, its insurers, employees, officers, directors, associates, and agents from any and all claims, demands, damages, rights of action, or causes of action, present or future, whether the same be known or unknown, anticipated, or unanticipated, resulting from or arising out of the use of said equipment.

This equipment must be used with care by capable and competent individuals under supervision,

WARNING



Heavy object. Use lifting aids and proper lifting techniques when moving.



Choking hazard. Small parts – Please exercise caution if small children or pets are present.



Sharp objects may be involved. Use precaution and protection.

TITAN LIMITED WARRANTY: TERMS, EXCLUSIONS AND LIMITATIONS OF REMEDIES

This product comes with a one (1) year limited warranty that can be found at www.titan.fitness/warranty.html Please review the same for all details regarding the Titan Limited Warranty.

THE TITAN LIMITED WARRANTY FOUND AT WWW.TITAN.FITNESS/WARRANTY IS EXCLUSIVE AND IS IN LIEU OF ALL OTHER WARRANTIES, EXPRESS OR IMPLIED, INCLUDING ANY IMPLIED WARRANTY OF MERCHANTABILITY AND/OR FITNESS FOR A PARTICULAR PURPOSE, EACH OF WHICH IS HEREBY DISCLAIMED.



NEED HELP? CONTACT US FIRST.

1-888-410-1503

info@titan.fitness

www.titan.fitness

© 2021 Titan Brands