

EVERWOOD HILLTOP ADIRONDACK CHAIR

ADPOLYCHAIR_DF, ADPOLYCHAIR_PG

899299, 899261



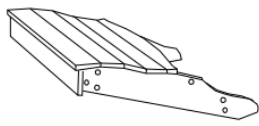
TITAN
GREAT OUTDOORS

Operator's Manual



Read the Operator's Manual entirely. When you see this symbol, the subsequent instructions and warnings are serious follow without exception. Your life and the lives of others depend on it!

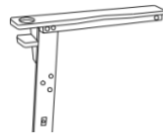
PARTS DIAGRAM / EXPLODED VIEW



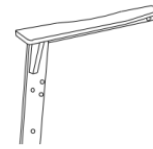
A (1)



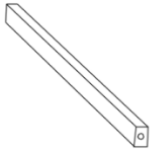
B (1)



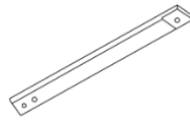
C (1)



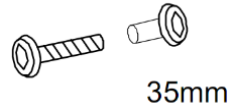
D (1)



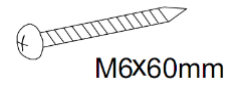
E (1)



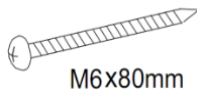
F (2)



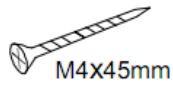
G (10)



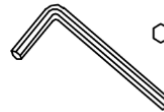
H (2)



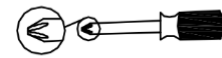
I (2)



J (2)



K (2)



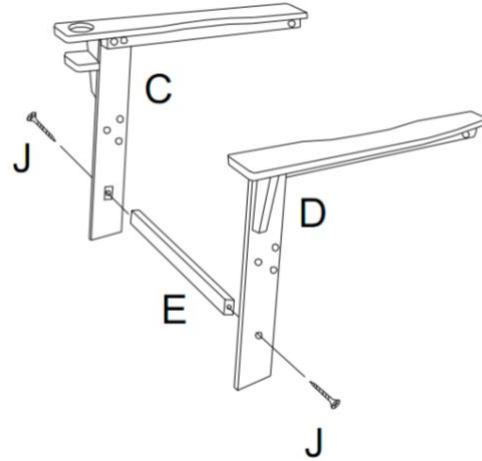
TOOL NEEDED (NOT INCLUDED)

COUNT	KEY	DESCRIPTION	QTY
(1)	A	SEAT	1
(2)	B	BACKREST	1
(3)	C	RIGHT ARM	1
(4)	D	LEFT ARM	1
(5)	E	FRONT CROSS BRACE	1
(6)	F	SIDE SUPPORT BAR	2
(7)	G	35MM FURNITURE BOLT SET	10
(8)	H	M6X60MM SCREW	2
(9)	I	M6X80MM SCREW	2
(10)	J	M4X45MM SCREW	2
(11)	K	25 X 70MM HEX KEY	2

ASSEMBLY INSTRUCTIONS

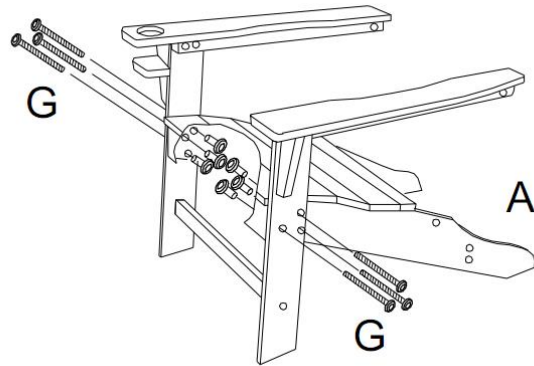
STEP 1 ARM ASSEMBLY

1. Attach front cross brace (E) to right arm (C) and left arm (D) with two 4x40mm Screws (J).

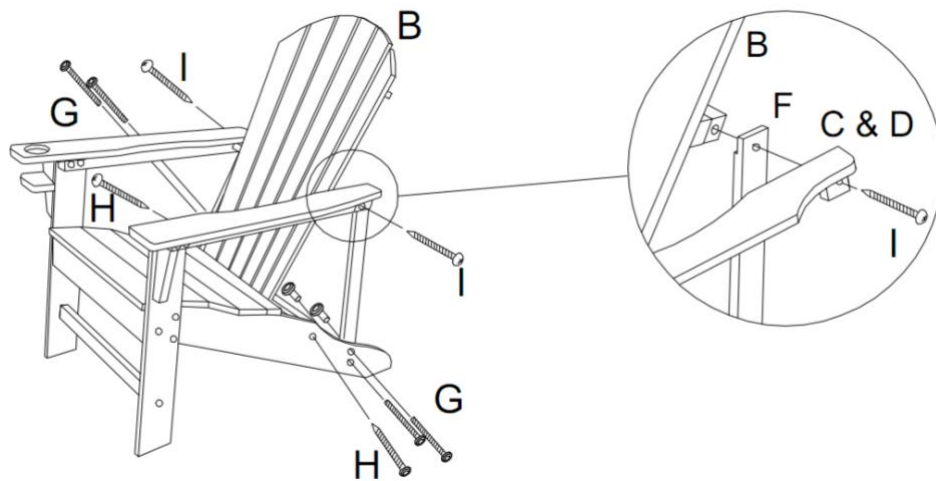


STEP 2 SEAT ASSEMBLY

1. Assemble the seat (A) to right arm (D) and left arm (C) with 35mm Furniture Bolt Set (G).



STEP 3 BACK ASSEMBLY



1. Slide Backrest (B) between two arms, put side support bars (F) between arms and backrest, then insert two M6x80mm Screws (I) into pre-drilled holes to secure.
2. Insert two M6x60mm Screws (H) into pre-drilled holes in seat and backrest and tighten.
3. Align holes in seat and side support bars, insert 35mm Furniture Bolt Set (G) and tighten.

ACKNOWLEDGEMENT OF RISK AND RELEASE OF LIABILITY

The use of any equipment, including this one, involves the potential risk of injury. Apart from any warranty claim that might be presented for a claimed defect in material or workmanship of the product, you accept and assume full responsibility for any and all injuries, damages (both economic and non-economic), and losses of any type, which may occur, and you fully and forever release and discharge Titan, its insurers, employees, officers, directors, associates, and agents from any and all claims, demands, damages, rights of action, or causes of action, present or future, whether the same be known or unknown, anticipated, or unanticipated, resulting from or arising out of the use of said equipment.

This equipment must be used with care by capable and competent individuals under supervision, if necessary.

WARNING



Heavy object. Use lifting aids and proper lifting techniques when moving.



Choking hazard. Small parts - Please exercise caution if small children or pets are present.



Sharp objects may be involved. Use precaution and protection.

TITAN LIMITED WARRANTY: TERMS, EXCLUSIONS AND LIMITATIONS OF REMEDIES

This product comes with a one (1) year limited warranty that can be found at www.titangreatoutdoors.com/warranty.html. Please review the same for all details regarding the Titan Limited Warranty.

THE TITAN LIMITED WARRANTY FOUND AT WWW.TITANGREATOUTDOORS.COM/WARRANTY.HTML IS EXCLUSIVE AND IS IN LIEU OF ALL OTHER WARRANTIES, EXPRESS OR IMPLIED, INCLUDING ANY IMPLIED WARRANTY OF MERCHANTABILITY AND/OR FITNESS FOR A PARTICULAR PURPOSE, EACH OF WHICH IS HEREBY DISCLAIMED.



NEED HELP? CONTACT US FIRST.

1-888-794-1455

info@titangreatoutdoors.com
www.titangreatoutdoors.com

© 2021 Titan Brands