

EVERWOOD HILLTOP ADIRONDACK ROCKING CHAIR

ADPOLYRCKR_DF, ADPOLYRCKR_PG, ADPOLYRCKR_WW
899301, 899265, 899264



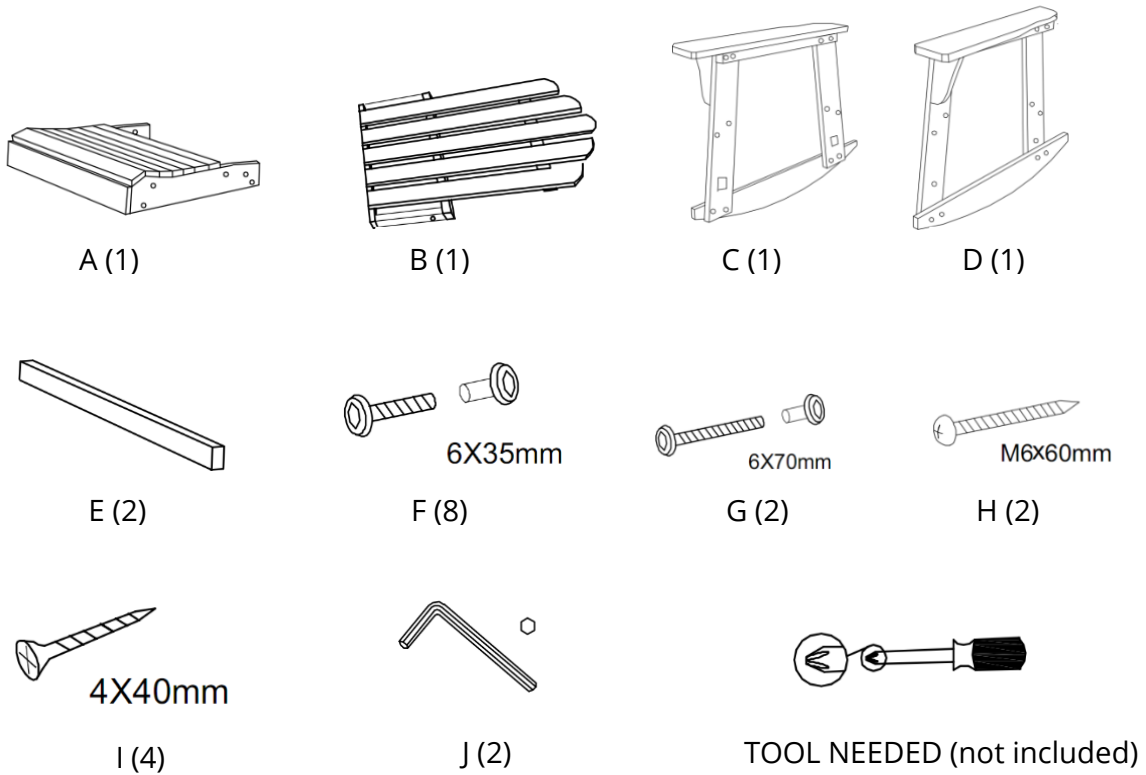
Operator's Manual



Read the Operator's Manual entirely. When you see this symbol, the subsequent instructions and warnings are serious follow without exception. Your life and the lives of others depend on it!

TITAN
GREAT OUTDOORS

PARTS DIAGRAM / EXPLODED VIEW

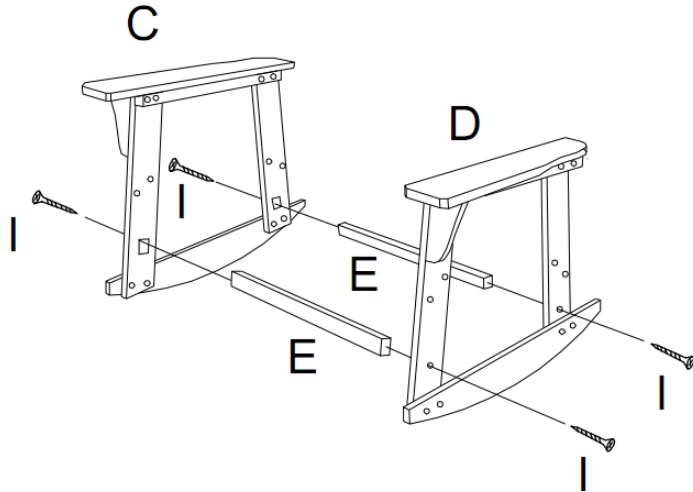


COUNT	KEY	DESCRIPTION	QTY
(1)	A	SEAT	1
(2)	B	BACKREST	1
(3)	C	LEFT ARM	1
(4)	D	RIGHT ARM	1
(5)	E	CROSS BRACE	2
(6)	F	6X35MM FURNITURE BOLT SET	8
(7)	G	6X70MM FURNITURE BOLT SET	2
(8)	H	M6X60MM SCREW	2
(9)	I	4X40MM SCREW	4
(10)	J	25X70MM HEX KEY	2

ASSEMBLY INSTRUCTIONS

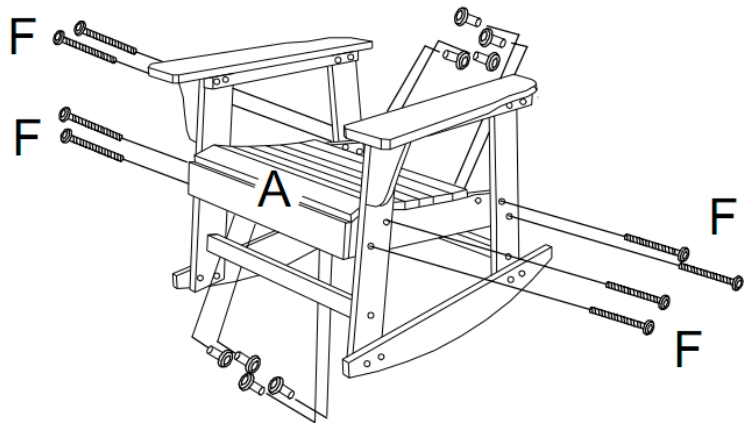
ARM ASSEMBLY

1. Attach Left Arm (C) to two Cross Braces (E) with two 4x40mm Screws (I)
2. Attach Right Arm (D) to two Cross Braces (E) with two 4x40mm Screws (I)



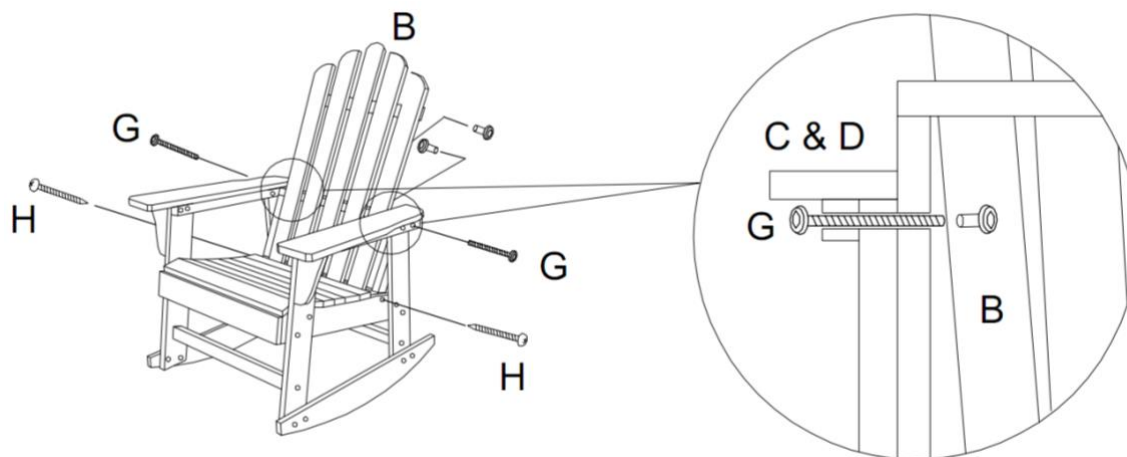
SEAT ASSEMBLY

1. Slide Seat (A) between Left Arm (C) and Right Arm (D).
2. From outside, insert long half of Furniture Bolt Set (F) into predrilled holes.
3. From inside fasten short half of Furniture Bolt Set (F) to large half with two pieces Hex Keys (J).



ASSEMBLY INSTRUCTIONS

BACK ASSEMBLY



1. Slide Backrest (B) between arms and insert long half of Furniture Bolt Set (G) into predrilled holes in Arms and Backrest.
2. Insert two Screws (H) into predrilled holes of arms and into Backrest, and tighten
3. Take short half of short half of Furniture Bolt Set (F) and fasten to long half using two pieces Hex Keys (J).

ACKNOWLEDGEMENT OF RISK AND RELEASE OF LIABILITY

The use of any equipment, including this one, involves the potential risk of injury. Apart from any warranty claim that might be presented for a claimed defect in material or workmanship of the product, you accept and assume full responsibility for any and all injuries, damages (both economic and non-economic), and losses of any type, which may occur, and you fully and forever release and discharge Titan, its insurers, employees, officers, directors, associates, and agents from any and all claims, demands, damages, rights of action, or causes of action, present or future, whether the same be known or unknown, anticipated, or unanticipated, resulting from or arising out of the use of said equipment.

This equipment must be used with care by capable and competent individuals under supervision, if necessary.

WARNING



Heavy object. Use lifting aids and proper lifting techniques when moving.



Choking hazard. Small parts – Please exercise caution if small children or pets are present.



Sharp objects may be involved. Use precaution and protection.

TITAN LIMITED WARRANTY: TERMS, EXCLUSIONS AND LIMITATIONS OF REMEDIES

This product comes with a one (1) year limited warranty that can be found at www.titangreatoutdoors.com/warranty.html. Please review the same for all details regarding the Titan Limited Warranty.

THE TITAN LIMITED WARRANTY FOUND AT WWW.TITANGREATOUTDOORS.COM/WARRANTY.HTML IS EXCLUSIVE AND IS IN LIEU OF ALL OTHER WARRANTIES, EXPRESS OR IMPLIED, INCLUDING ANY IMPLIED WARRANTY OF MERCHANTABILITY AND/OR FITNESS FOR A PARTICULAR PURPOSE, EACH OF WHICH IS HEREBY DISCLAIMED.



NEED HELP? CONTACT US FIRST.

1-888-794-1455

info@titangreatoutdoors.com

www.titangreatoutdoors.com

© 2021 Titan Brands