

PLATE LOADED FLY MACHINE V2

CBFLYv2

401494

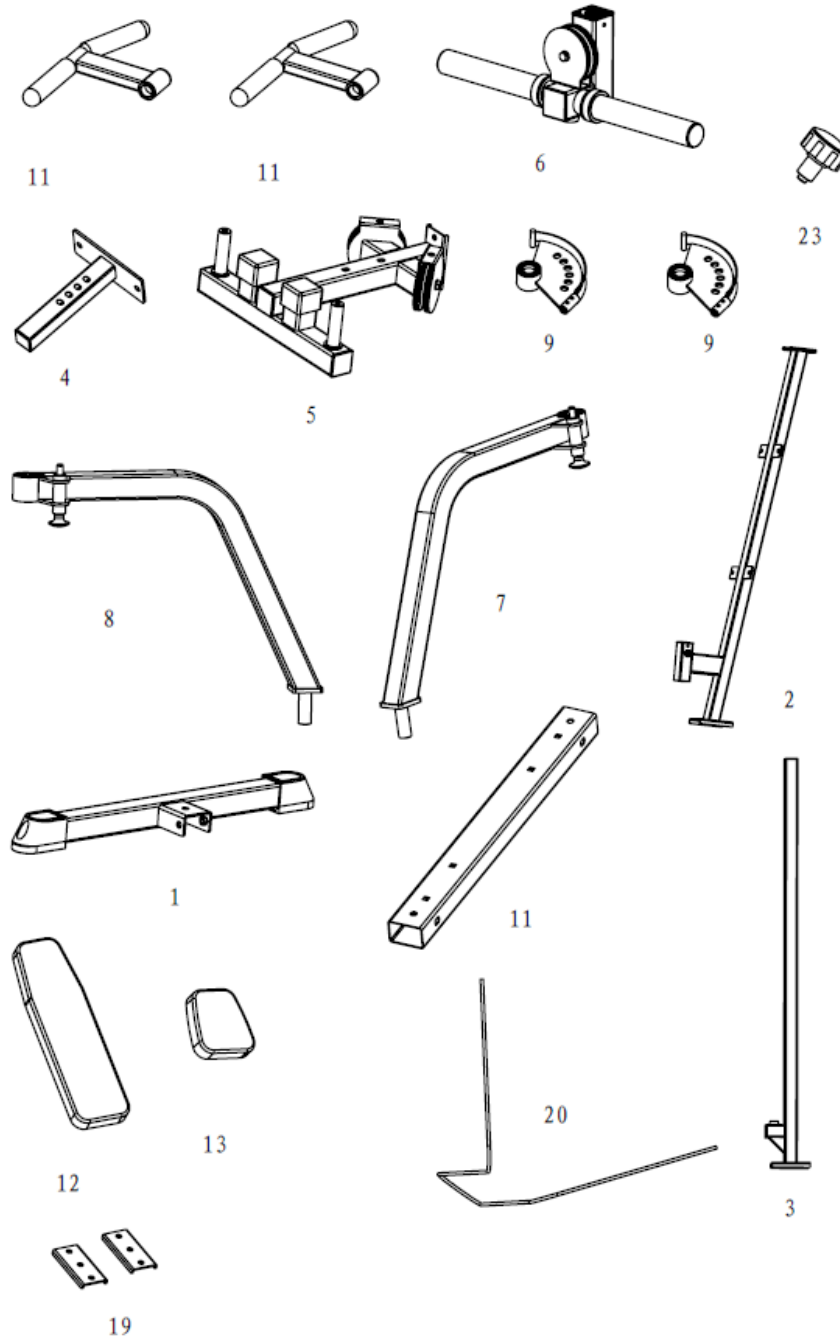


Operator's Manual



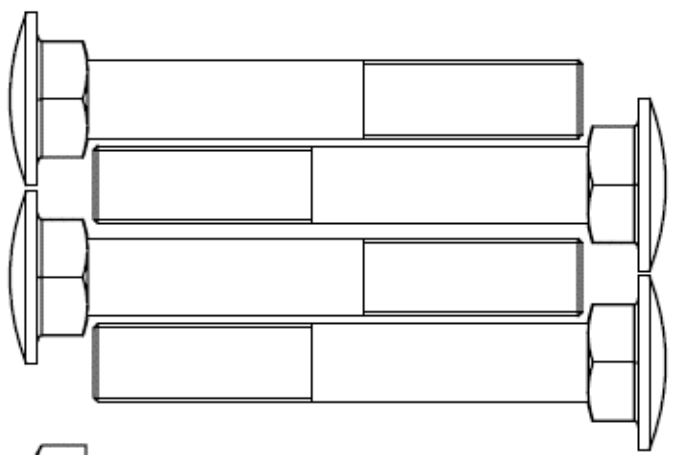
Read the Operator's Manual entirely. When you see this symbol, the subsequent instructions and warnings are serious follow without exception. Your life and the lives of others depend on it!

PARTS DIAGRAM / EXPLODED VIEW

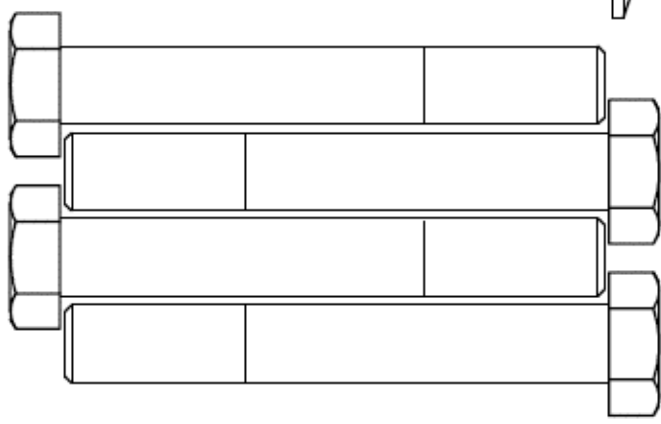


KEY	BOX	DESCRIPTION	QTY	KEY	BOX	DESCRIPTION	QTY
(1)	1	BASE FRAME	2	(9)	1	CAM	2
(2)	1	BACK CUSHION FRAME	1	(10)	1	HANDLEBAR	2
(3)	1	SEAT CUSHION FRAME	1	(11)	1	CONNECTING FRAME	1
(4)	1	UPRIGHT FRAME	1	(12)	1	BACK CUSHION	1
(5)	1	SUPPORT FRAME	1	(13)	1	SEAT CUSHION	1
(6)	1	SLIDING FRAME	1	(19)	1	FIXING PLATE	2
(7)	1	LEFT ARM FRAME	1	(20)	1	CABLE	1
(8)	1	RIGHT ARM FRAME	1	(23)	1	LOCK PIN	1

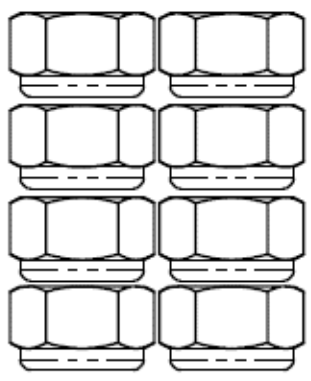
HARDWARE PACK (1/2)



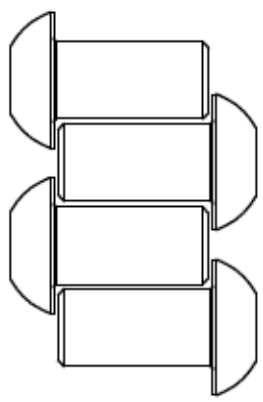
No. 37 M10X65 (4)



No. 41 M10X70 (4)



No. 39 M10 Nut (8)

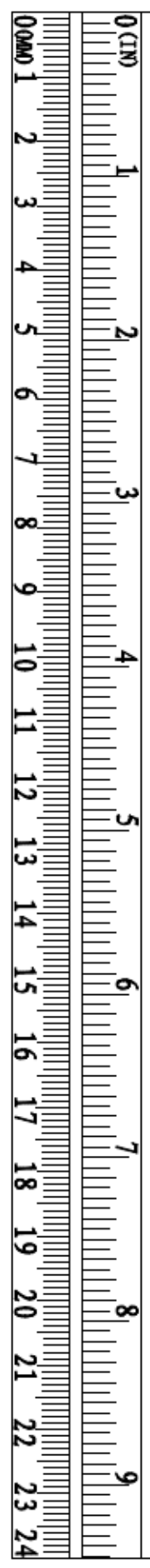


No. 43 M10X20 (4)

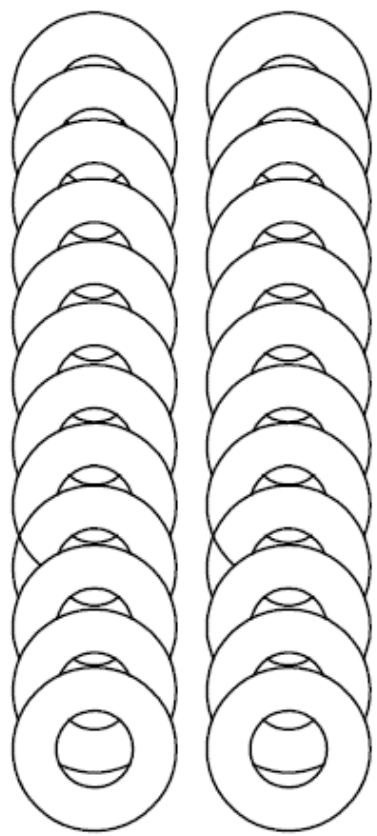


No. 42 ø10
Spring
Washer (4)

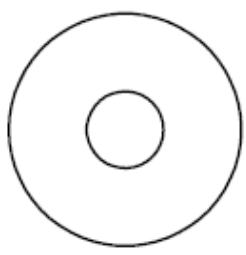
Universal Wrench
Allen Wrench 5, 6 mm



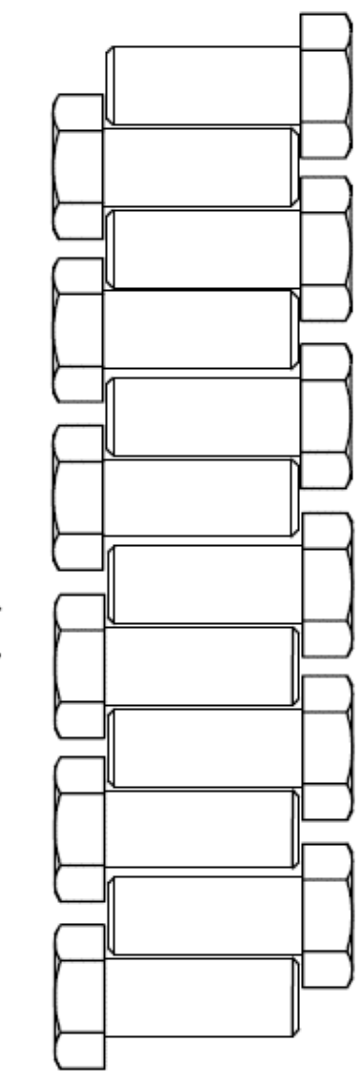
HARDWARE PACK (2/2)



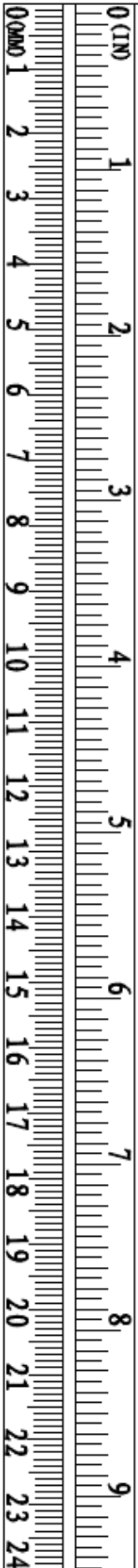
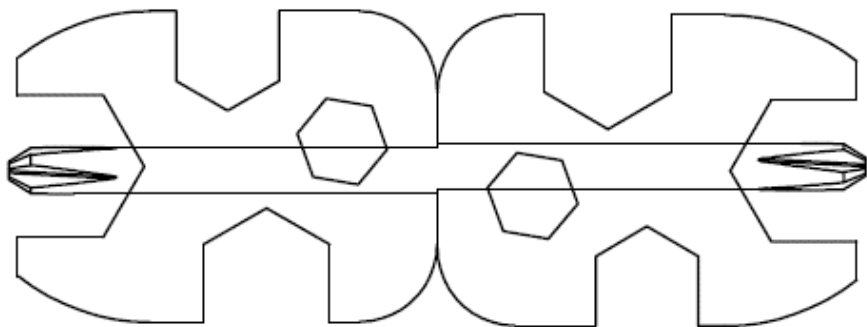
No. 38 ø10 Washer (24)



No. 36 ø10 Washer (4)



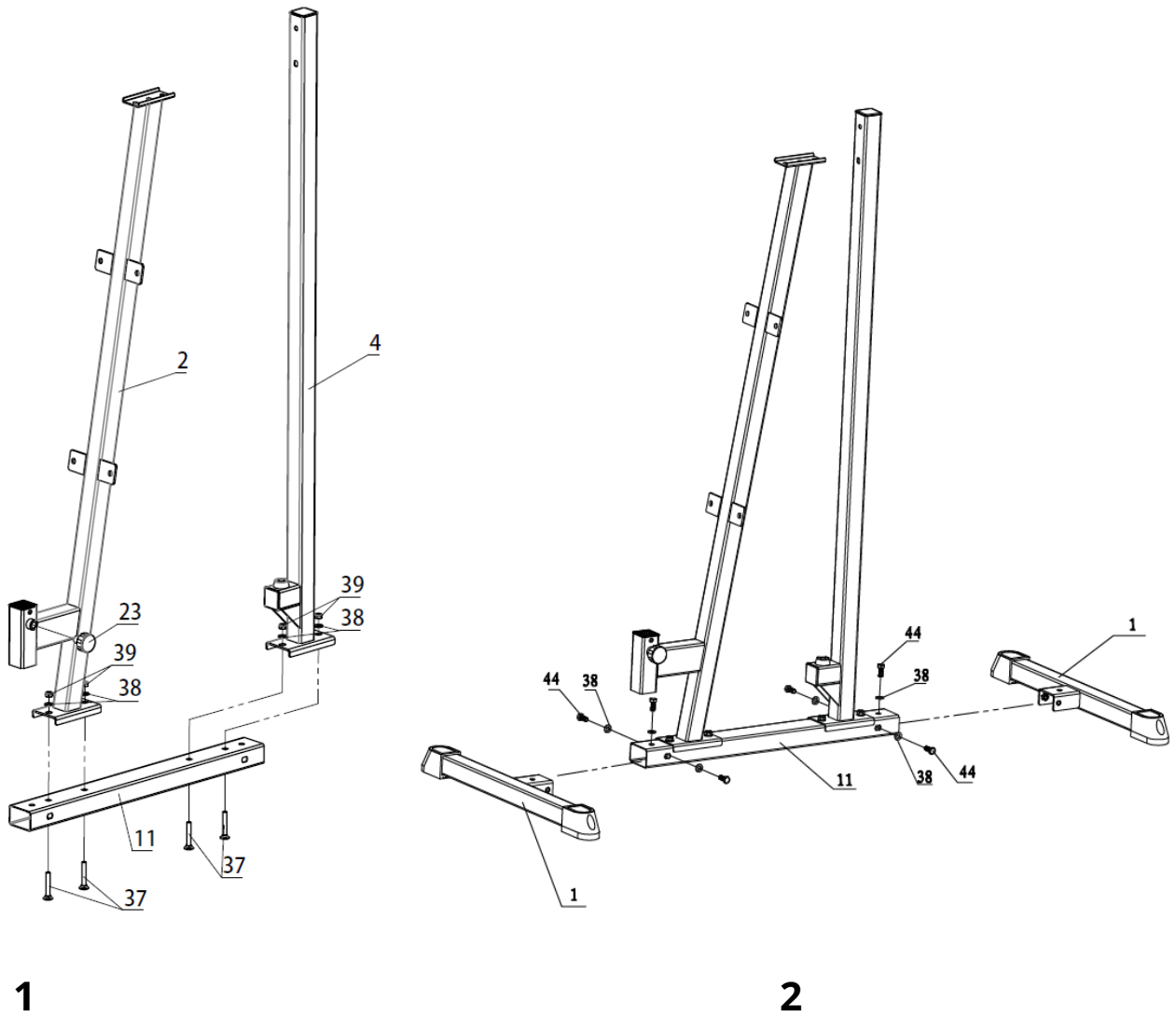
No. 44 M10X25 (12)



ASSEMBLY INSTRUCTIONS

STEP 1

1. Connect Back Cushion Frame (2) and Upright Frame (4) with Connecting Frame (11), using Flat Washer (38), Nut M10(39) and Carriage Bolt M10*65 (37).
2. Assemble the Knob (23) on the Back Cushion Frame (2).



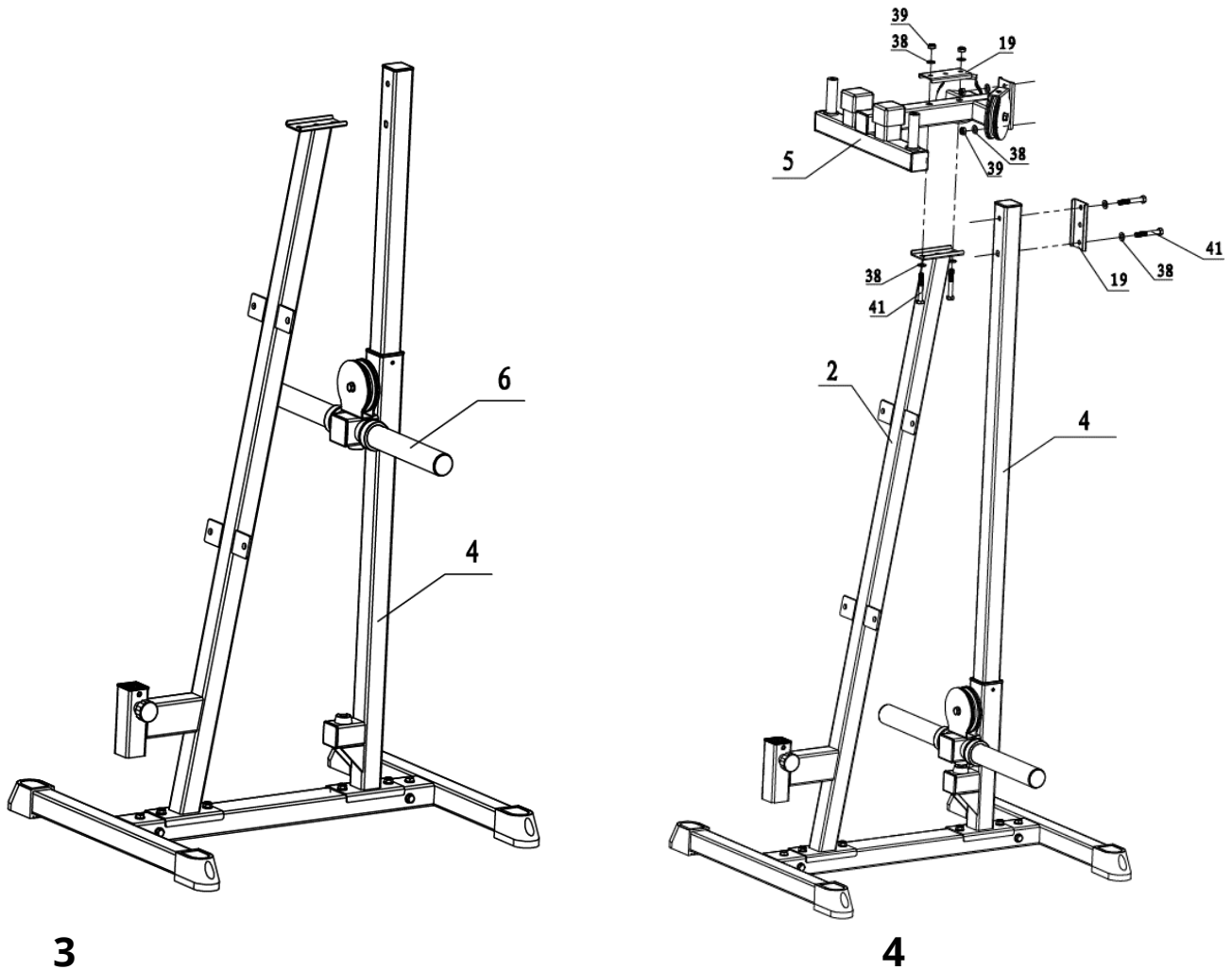
STEP 2

- Fix Base Frame (1) on Connecting Frame (11), using Flat Washer (38) and Hex Bolt M10*25 (44).

ASSEMBLY INSTRUCTIONS

STEP 3

Plug Sliding Frame (6) into Upright Frame (4).



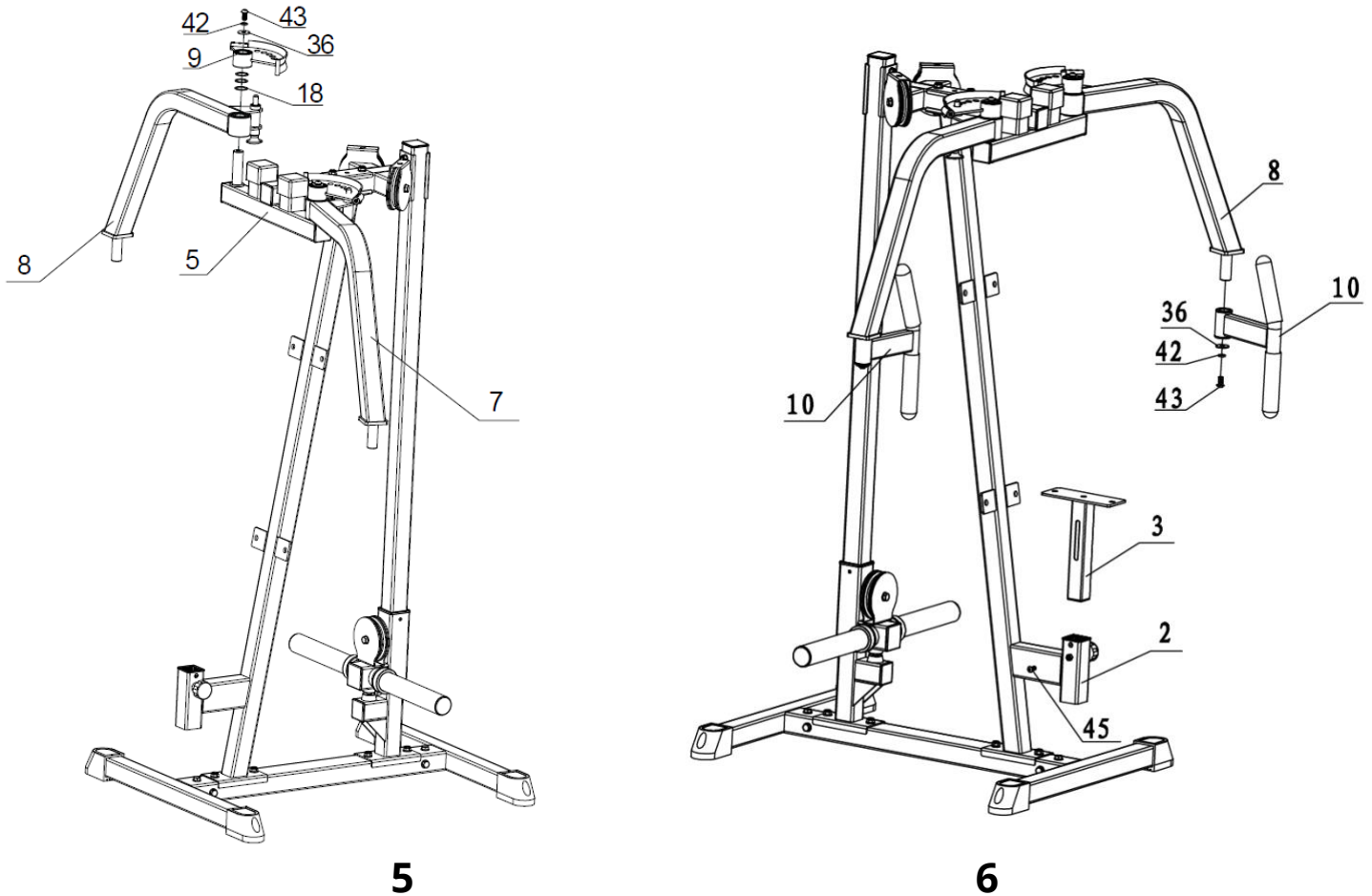
STEP 4

Connect Back Cushion Frame (2), Support Frame (5) and Upright Frame (4), using Fixing Plate (19), Flat Washer (38), Nut M10(39) and Hex Bolt M10*70 (41).

ASSEMBLY INSTRUCTIONS

STEP 5

Fix Left & Right Arm Frame (7 & 8), Bearing Washer (18) and Cam (9) on Support Frame (5), using Flat Washer (36), Spring Washer (42) and Hex Bolt M10*20 (43).



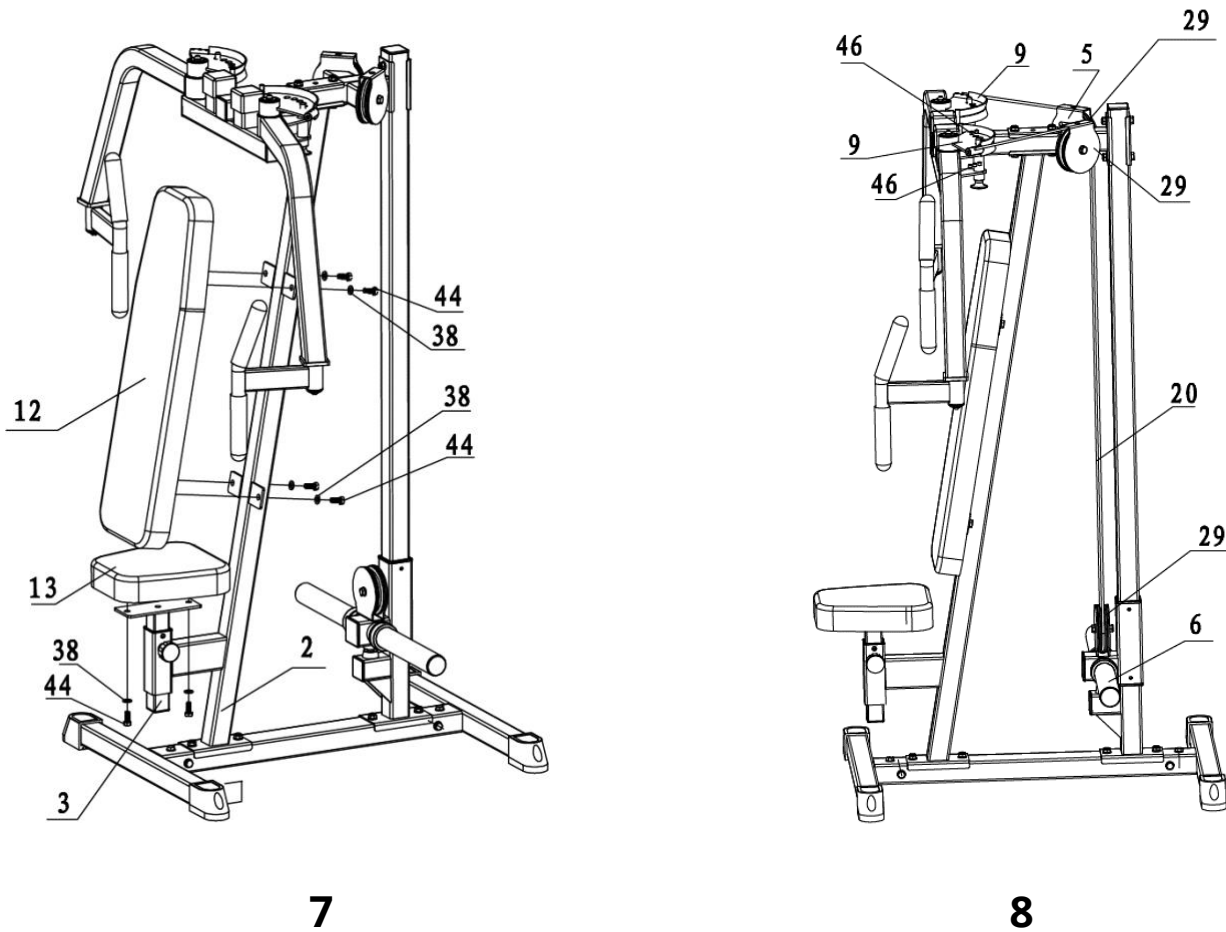
STEP 6

1. Fix Handlebar (10) on Left & Right Arm Frame (7&8), using Flat Washer (36), Spring Washer (42) and Hex Bolt M10*20(43).
2. Loose the Hex Bolt M8*20 (45), insert Seat Cushion Frame (3) into Back Cushion Frame (2), then tighten the Hex Bolt M8*20 (45).

ASSEMBLY INSTRUCTIONS

STEP 7

1. Fix Seat Cushion (11) on Seat Cushion Frame (3), using Hex Bolt M10*25 (26) and Flat Washer (24).
2. Fix Back Cushion (6) on Main Frame (1), using Hex Bolt M10*25 (26) and Flat Washer (24).



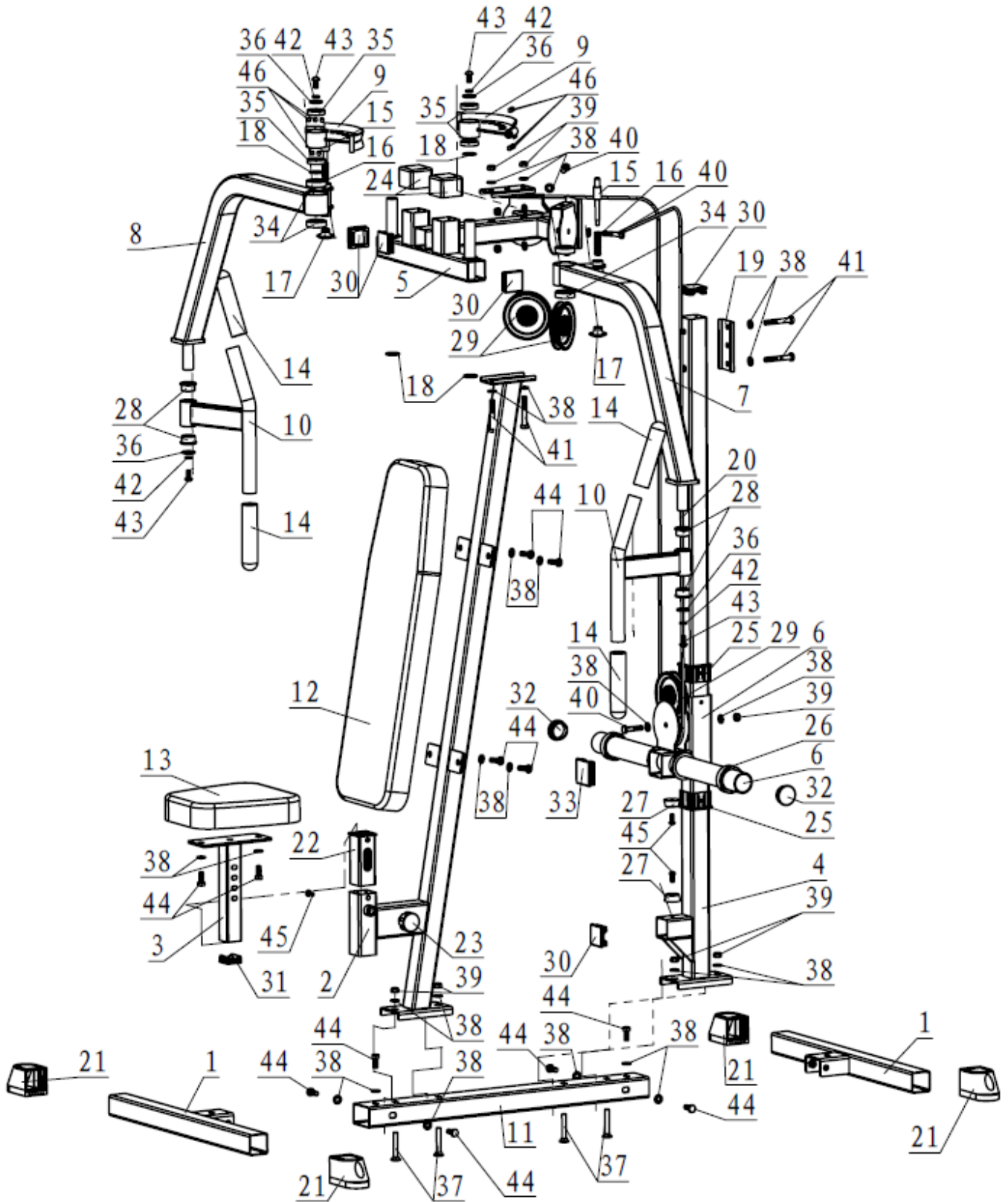
STEP 8

Loose the Screw M8*8(46) on Cam (9), insert one side of Cable (20) into Cam (9), then tighten the Screw M8*8(46).

Through another side of cable (20) into pulley (29) on Support frame (5), via the pulley (29) on Sliding Frame (6) and another side of Pulley (29) on Support Frame (5).

Adjusting the Cable and fix by Screw M8*8 (46).

APPENDIX - FULL ASSEMBLY/EXPLODED VIEW/ FULL PARTS LIST



APPENDIX - FULL ASSEMBLY/EXPLODED VIEW/ FULL PARTS LIST

KEY	BOX	DESCRIPTION	QTY	KEY	BOX	DESCRIPTION	QTY
(1)	1	BASE FRAME	2	(24)	1	PIPE SLEEVE □50	2
(2)	1	BACK CUSHION FRAME	1	(25)	1	HOLLOW SLEEVE	2
(3)	1	SEAT CUSHION FRAME	1	(26)	1	STOP COLLAR	2
(4)	1	UPRIGHT FRAME	1	(27)	1	RUBBER BUMPER Φ38*Φ7*15	2
(5)	1	SUPPORT FRAME	1	(28)	1	METAL BUSH Φ38*Φ32*Φ25.2*18	4
(6)	1	SLIDING FRAME	1	(29)	1	PULLEY Φ114	3
(7)	1	LEFT ARM FRAME	1	(30)	1	END CAP 50*50*2	5
(8)	1	RIGHT ARM FRAME	1	(31)	1	END CAP 40*40*2	1
(9)	1	CAM	2	(32)	1	END CAP Φ48*2	2
(10)	1	HANDLEBAR	2	(33)	1	END CAP 60*60*2	1
(11)	1	CONNECTING FRAME	1	(34)	1	BEARING 6005ZZ	4
(12)	1	BACK CUSHION	1	(35)	1	BEARING 61905ZZ	4
(13)	1	SEAT CUSHION	1	(36)	1	FLAT WASHER Φ10.5*Φ30*2.5	4
(14)	1	GRIP Φ31*3*160	4	(37)	1	CARRIAGE BOLT M10*65	4
(15)	1	SHAFT	2	(38)	1	FLAT WASHER Φ11*Φ20*2	28
(16)	1	SPRING	2	(39)	1	NUT M10	9
(17)	1	KNOB	2	(40)	1	HEX BOLT M10*45	3
(18)	1	BEARING WASHER	6	(41)	1	HEX BOLT M10*70	4
(19)	1	FIXING PLATE	2	(42)	1	SPRING WASHER Φ10	4
(20)	1	CABLE	1	(43)	1	HEX BOLT M10*20	4
(21)	1	F50 HORSESHOE SLEEVE	4	(44)	1	HEX BOLT M10*25	12
(22)	1	HOLLOW SLEEVE	1	(45)	1	HEX BOLT M8*20	3
(23)	1	LOCK PIN	1	(46)	1	SCREW M8*8	10

ACKNOWLEDGEMENT OF RISK AND RELEASE OF LIABILITY

The use of any equipment, including this one, involves the potential risk of injury. Apart from any warranty claim that might be presented for a claimed defect in material or workmanship of the product, you accept and assume full responsibility for any and all injuries, damages (both economic and non-economic), and losses of any type, which may occur, and you fully and forever release and discharge Titan, its insurers, employees, officers, directors, associates, and agents from any and all claims, demands, damages, rights of action, or causes of action, present or future, whether the same be known or unknown, anticipated, or unanticipated, resulting from or arising out of the use of said equipment.

This equipment must be used with care by capable and competent individuals under supervision,

WARNING



Heavy object. Use lifting aids and proper lifting techniques when moving.



Choking hazard. Small parts – Please exercise caution if small children or pets are present.



Sharp objects may be involved. Use precaution and protection.

TITAN LIMITED WARRANTY: TERMS, EXCLUSIONS AND LIMITATIONS OF REMEDIES

This product comes with a one (1) year limited warranty that can be found at www.titan.fitness/warranty.html Please review the same for all details regarding the Titan Limited Warranty.

THE TITAN LIMITED WARRANTY FOUND AT WWW.TITAN.FITNESS/WARRANTY IS EXCLUSIVE AND IS IN LIEU OF ALL OTHER WARRANTIES, EXPRESS OR IMPLIED, INCLUDING ANY IMPLIED WARRANTY OF MERCHANTABILITY AND/OR FITNESS FOR A PARTICULAR PURPOSE, EACH OF WHICH IS HEREBY DISCLAIMED.



NEED HELP? CONTACT US FIRST.

1-888-410-1503

info@titan.fitness

www.titan.fitness

© 2021 Titan Brands