

3PT HD CULTIVATOR

HDCULTR7, HDCULTR9
191388, 191389



Operator's Manual



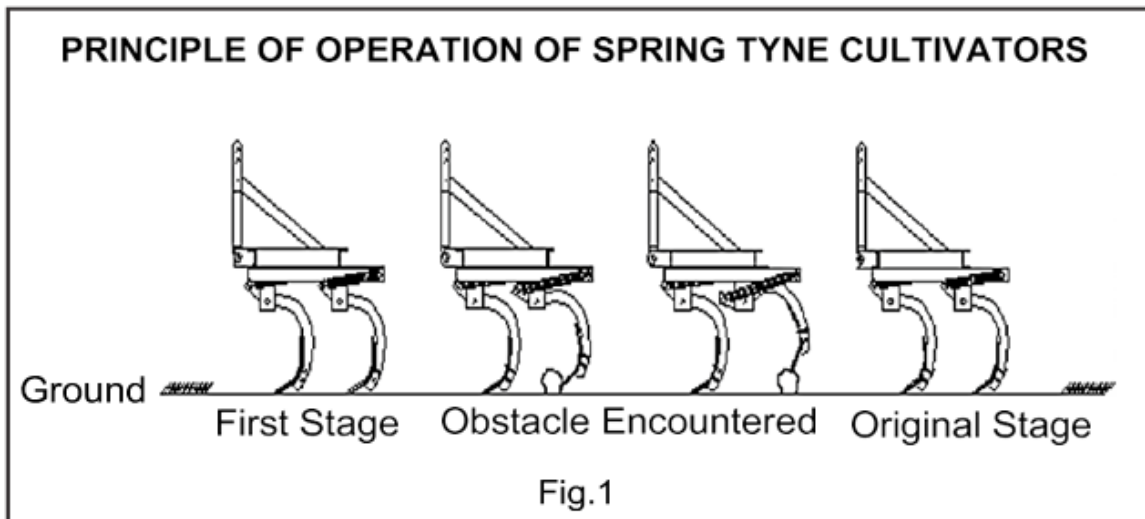
Read the Operator's Manual entirely. When you see this symbol, the subsequent instructions and warnings are serious follow without exception. Your life and the lives of others depend on it!

IMPORTANT INFORMATION

1. PURPOSE OF USE

The ULTRA HD SPRING LOADED CULTIVATOR is eminently suitable for use in stone and root obstructed soil. When one tine strikes a hidden object, the others continue to work at the correct depth. It is used for loosening and aerating soil to a depth of nine inches preparing the seed beds quickly and economically.

Working position of spring-loaded cultivator on the ground level. **(Fig.1)**



It is designed to withstand the toughest work condition of hard soil. It's very suitable for land with dry or humid loose-packed soil, mixed soil. Spring loaded tine assemblies derive their strength from heavy duty angles, which once fixed to the immensely strong main frame, cannot move, or strain out of position.

2. USAGE INSTRUCTION

Carefully read all the instructions before using the machine

2.1 Before Use & Adjustments

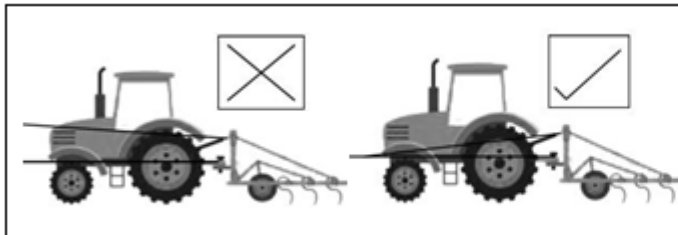
Before mounting of the cultivator make sure that all nuts & bolts are properly secured. Also determine soil and trash conditions of the field and make the preliminary adjustments. e.g.

Tyne leveling: To eliminate uneven working and side draft, leveling is done by means of top link.

Depth control: The depth at which the implement is required to work is controlled hydraulically by raising or lowering the control lever on the tractor.

2.2 Attaching the Cultivator to the Tractor

1. Place the cultivator duly leveled on the flat piece of land.
2. Reverse the tractor to the cultivator (Do not drag the cultivator up the tractor).
3. Attach the left arm of the tractor to the cultivator first.
4. Attach the central arm to the cultivator. To attach, turn the screws on both sides to an equal length. If the arm is too short or too long, turn the screw to adjust both at the same time until aligned with the hole on the central arm.
5. Attach the lower right arm; turn the screw until the mounting pin is at the same level as the hole on the tractor arm. If the gap between the hole and mounting pin is too close or too distant, turn the control arm in or pull it away to an appropriate distance. You may have to adjust both height and distance at the same time. When the hole at tractor arm and mounting pin are even, insert the pin in the hole and lock it with the lynch pin.
6. After attaching the cultivator, lift it and adjust the control arm parallel to the ground. When you look from both rear and sideways, all shovels should be touching the ground uniformly.



Danger:

In operating position, the top link must be higher on the machine side than on the tractor side!

3. Danger and Indicator Signals

The signs reproduced on the machine. Keep them clean and replace them if they come become illegible. Read and recognize safety information.

Be alert to the potential for personal injury when you see this safety-alert label.

NEVER ALLOW ANY PERSON TO RIDE THE MACHINE DURING WORK OR TRANSPORT.



GENERAL NORMS

1. Be mindful of to the danger signs in the manual and on the machine.
2. The labels with the instructions attached to the machine give abbreviated advice for avoiding accidents.
3. Strictly observe, with the help of the instructions, the safety and accident prevention regulations.
4. Any work on and adjustment to the machine must always be done with the engine switched off and the tractor blocked.
5. It is strictly prohibited to drive the tractor, or allow it to be drive the tractor, or allow it to be driven, with the equipment attached by persons not in possession of a driver's license, inexperienced or in poor conditions of health.
6. Before starting the tractor and the equipment, check that all safety devices for transport and use are in perfect working order.
7. Before starting up the equipment, check the area surrounding the machine to ensure that there are no people, nearby (especially children or pets) and ensure that you have excellent visibility.
8. Use suitable clothing. Avoid loose clothing or garments with parts that could in any way get caught in the rotating or moving parts of the machine.
9. Only start working with the equipment if all the protective devices are in perfect condition, installed and in the safe position.
10. It is absolutely prohibited to stand within the machine's radius of action where there are moving parts.
11. Before starting work, familiarize yourself with the control devices and their functions.
12. The driver's seat must never be left when the tractor engine is running.
13. It is absolutely forbidden to use the equipment without the guards and container covers.
14. Before leaving the tractor, lower the equipment hooked to the lifting unit, stop the engine, pull the hand brake, and remove the key from the dashboard, make sure that the chemical substances should be out of reach.
15. Before starting the equipment, check that the supporting feet have been removed from under the machine; check that the machine has been correctly assembled and regulated: check that the machine is in perfect working order, and that all the parts subject to wear and tear are in good condition.

16. Before releasing the equipment from the third point attachment, put the hoist command lever into the locked position and lower the support feet.
17. All operations must be carried out by expert personnel, equipped with protective gloves, in a clean and dust-free environment.

TRACTOR HITCH

1. Hook the equipment to a suitable, sufficiently powered tractor by means of the appropriate device (lifter), in conformity with applicable standards.
2. The class of the equipment attachment pins must be the same as that of the lifter attachment. Take care when working within the range of the lifting arms as this is a very dangerous area.
3. Be very careful when hooking and unhooking the equipment.
4. It is absolutely forbidden to stand in the space between the tractor and the equipment with the engine running.
5. It is possible to work between the tractor and the equipment only after the parking brake has been applied and a suitably sized blocking wedge or stone has been placed under the wheels.
6. The attaching- of additional equipment onto the tractor brings about a different distribution of weight on the axles. Check the compatibility of the tractor performance with the weight that the machine transfers onto the three - point linkage.
7. Comply with the maximum admissible weight for the axle, the total mobile weight, transport regulations and the Highway Code.

TRANSPORT ON ROAD

1. When driving on public roads, be sure to follow the highway code of the country involved.
2. Any transport accessories must be provided with suitable signs and guards.
3. It is very important to remember that road holding capacity as well as direction and braking capacity can be influenced, sometimes considerably by equipment being either carried or towed.
4. When negotiating curves, be aware of the variation in centrifugal force exerted in a position other than that of the center of gravity, with and without the equipment in tow.
5. Also pay greater attention on sloping roads or ground.
6. For transport, adjust and fasten the lateral lifting arm chains of the tractor; lock the hydraulic listing control lever.
7. For displacements beyond the work area. The equipment must be placed in the transportation position.

8. Upon request the Manufacturer will supply supports and tables for signaling of dimensions. When the dimensions of carried or partially carried equipment conceal the tractor's signaling and lighting devices, these must also be installed on the equipment itself, in conformity with regulations of the highway code of the country involved. When in operation make sure that the lighting system is in perfect working order.

SERVICE AND MAINTENANCE

4.1 Operation, Care & Maintenance of Cultivator

1. All the shovels of the tines should be set at equal depth. To do this, place the cultivator on level ground and see that all the shovels touch the ground.
2. Before commencing work with a cultivator, check it for loose bolts and nuts and fasten them properly. After having taken all these precautions, run the cultivator for one hour and then inspect it once more for any loose parts.
3. Never turn or reverse your tractor while cultivator is ploughed deep in field. This will twist the assemblies out of alignment and damage them extensively.
4. Reverse or replace the shovel point when worn out. Delay may result in wearing out of the tines which will result into expensive repairing/replacements. Avoid use of extra wide shovels as they do not improve tillage quality but only put extra load on the tractor and result into extra fuel consumption.

4.2 Storage of Cultivator after Work

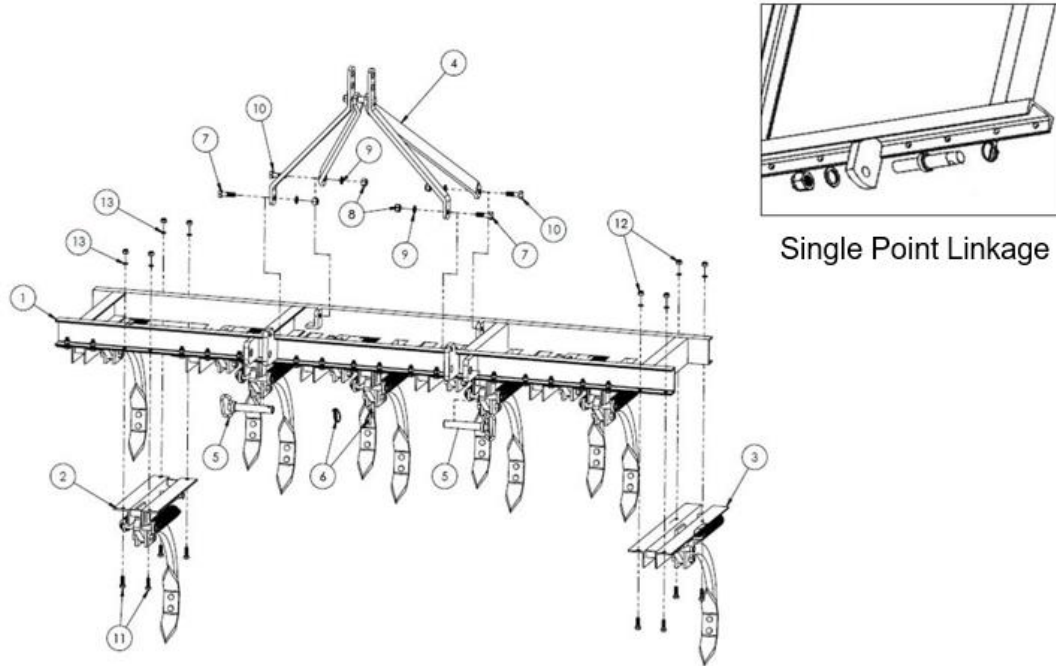
1. Wash the cultivator after work.
2. Replace the worn-out nuts & bolts.
3. If the cultivator has to remain unused for long time, then clean it & apply a layer of used oil for rust prevention.
4. These steps will enhance the life of your cultivator.

5. TROUBLE SHOOTING

Problem	Cause	Remedy
The cultivator does not penetrate deeply enough.	1) Hydraulic power lift which supports the cultivator. 2) The cultivator is light for the soil.	1) Check the power lift of the tractor that allows to go down to the required depth. 2) Add ballast which is compatible with the capacity of the hydraulic power lift.
The cultivator is not evenly cultivating.	1) The cultivator is not level on the ground. 2) The bolts on the frame are loose or missing.	1) Check that the cultivator is level on the ground both widthwise & lengthwise by adjusting the 3-point linkage of the tractor. 2) Check all the bolts daily under normal soil condition and twice a day in difficult soil conditions.
The rear tractor wheels slip	1) Too deep 2) Tires are inflated to much 3) In sufficient weight on the drive wheels.	1) Decrease the depth 2) Reduce the pressure in the drive tires to increase the surface area of the tire which is in contact with the gravel. 3) Add ballast to the drive wheels (by adding water to the air chambers)

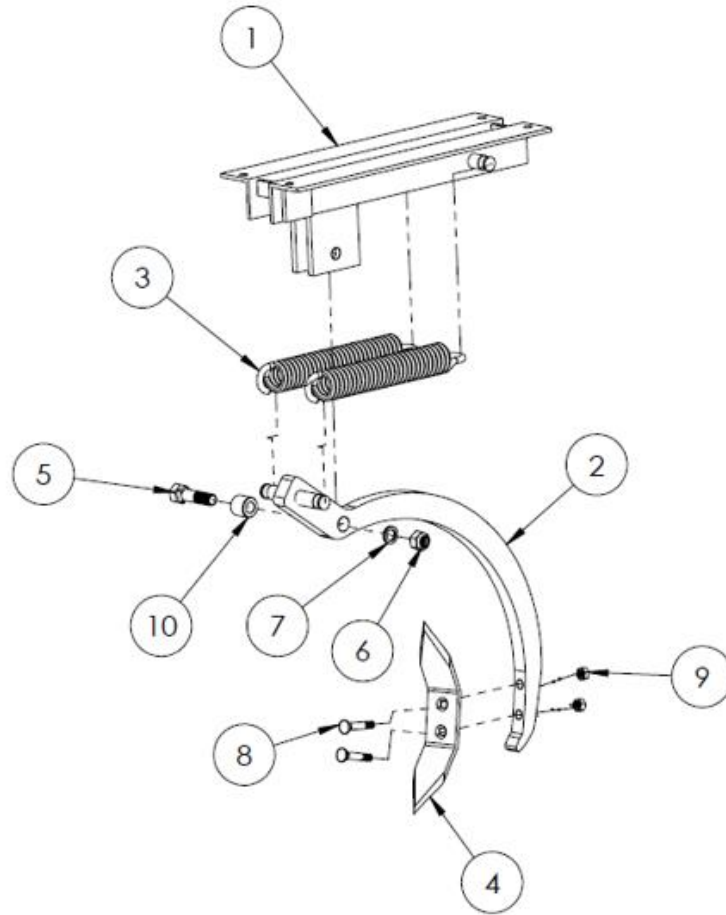
6.PARTS CATALOGUE

6.1 Frame Assembly and Parts List



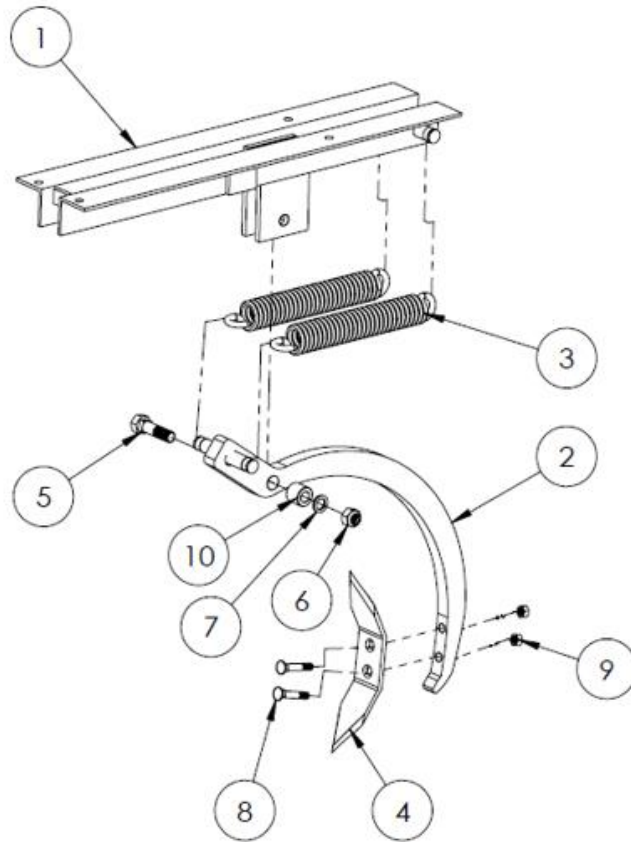
SPRING LOADED CULTIVATOR			
SR.NO.	PARTS DESCRIPTION	QUANTITY	
		SLC-7	SLC-9
1	FRAME ASSEMBLY		1
2	SMALL PAIR TYNE ASSEMBLY	3	4
3	BIG PAIR TYNE ASSEMBLY	4	5
4	3 POINT LINKAGE ASSEMBLY		1
5	HITCH PIN 28X150		2
6	LINCH		2
7	HEX. BOLT M16X65	NA	2
8	NYLOCK NUT M16		4
9	SPRING WASHER M16		4
10	HEX. BOLT M16X50		2
11	HEX BOLT M12X32	28	36
12	NYLOCK NUT M12	28	36
13	SPRING WASHER M12	28	36

6.2 Small Pair Tyne Assembly (61680001)



SMALL PAIR TYNE ASSEMBLY NAME LIST		
SR. NO.	PART NAME	QUANTITY
1	SMALL PAIR 25 MM	1
2	TYNE ASSEMBLY (25 MM)	1
3	SPRING (28.5 COIL)	2
4	SHOVEL	1
5	HEX BOLT M18X65	1
6	NYLOCK NUT M18	1
7	SPRING WASHER M18	1
8	SHOVEL BOLT 7/16X2.5" BSW	2
9	HEX BOLT 7/16 BSW	2
10	TYNE BUSH	1

6.3 Big Pair Tyne Assembly (61690001)



BIG PAIR TYNE ASSEMBLY NAME LIST		
SR. NO.	PART NAME	QUANTITY
1	BIG PAIR 25 MM	1
2	TYNE ASSEMBLY (25 MM)	1
3	SPRING (28.5 COIL)	2
4	SHOVEL	1
5	HEX BOLT M18X65	1
6	NYLOCK NUT M18	1
7	SPRING WASHER M18	1
8	SHOVEL BOLT 7/16X2.5" BSW	2
9	HEX BOLT 7/16 BSW	2
10	TYNE BUSH	1

7. DEMOLITION AND DISPOSAL

This operation is to be carried out by the customer.

Before demolishing the machine, you are advised to carefully check its physical condition and ascertain whether there are any parts of the structure that may be susceptible to structural collapse or breakage during demolition.

The customer should operate in compliance with the environment protection laws in force in his/her country.

CAUTION

The machine demolition operations should be carried out by skilled personnel only, equipped with suitable protective clothing's and auxiliary tools and equipment's. All the disassembly operations for demolition should be carried out with the machine stopped and detached from the tractor.

Before demolishing the machine, you are advised to render harmless all the parts that may be a source of danger and therefore:

- Scrap the structure using specialized firms.
- Remove any electrical apparatus according to the laws in force,
- Collect oil and greases separately, to be disposed of through specialized firms, in accordance with the regulations of the country in which the machine was used.

ACKNOWLEDGEMENT OF RISK AND RELEASE OF LIABILITY

The use of any equipment, including this one, involves the potential risk of injury. Apart from any warranty claim that might be presented for a claimed defect in material or workmanship of the product, you accept and assume full responsibility for any and all injuries, damages (both economic and non-economic), and losses of any type, which may occur, and you fully and forever release and discharge Titan, its insurers, employees, officers, directors, associates, and agents from any and all claims, demands, damages, rights of action, or causes of action, present or future, whether the same be known or unknown, anticipated, or unanticipated, resulting from or arising out of the use of said equipment.

This equipment must be used with care by capable and competent individuals under supervision, if necessary.

WARNING



Do not overfill! Mower should be level when checking oil in gear box.



some activities might be able to cause electric shock



Sharp objects may be involved.
Use protective cover during maintenance.

TITAN LIMITED WARRANTY: TERMS, EXCLUSIONS AND LIMITATIONS OF REMEDIES

This product comes with a one (1) year limited warranty that can be found at www.palletforks.com/warranty.html. Please review the same for all details regarding the Titan Limited Warranty.

THE TITAN LIMITED WARRANTY FOUND AT WWW.PALLETFORKS.COM/WARRANTY.HTML IS EXCLUSIVE AND IS IN LIEU OF ALL OTHER WARRANTIES, EXPRESS OR IMPLIED, INCLUDING ANY IMPLIED WARRANTY OF MERCHANTABILITY AND/OR FITNESS FOR A PARTICULAR PURPOSE, EACH OF WHICH IS HEREBY DISCLAIMED.



NEED HELP? CONTACT US FIRST.

1-800-605-7595

info@palletworks.com
www.palletforks.com

© 2021 Titan Brands