

DIRT BIKE AND MOTORCYCLE CARRIER

M600C

331120



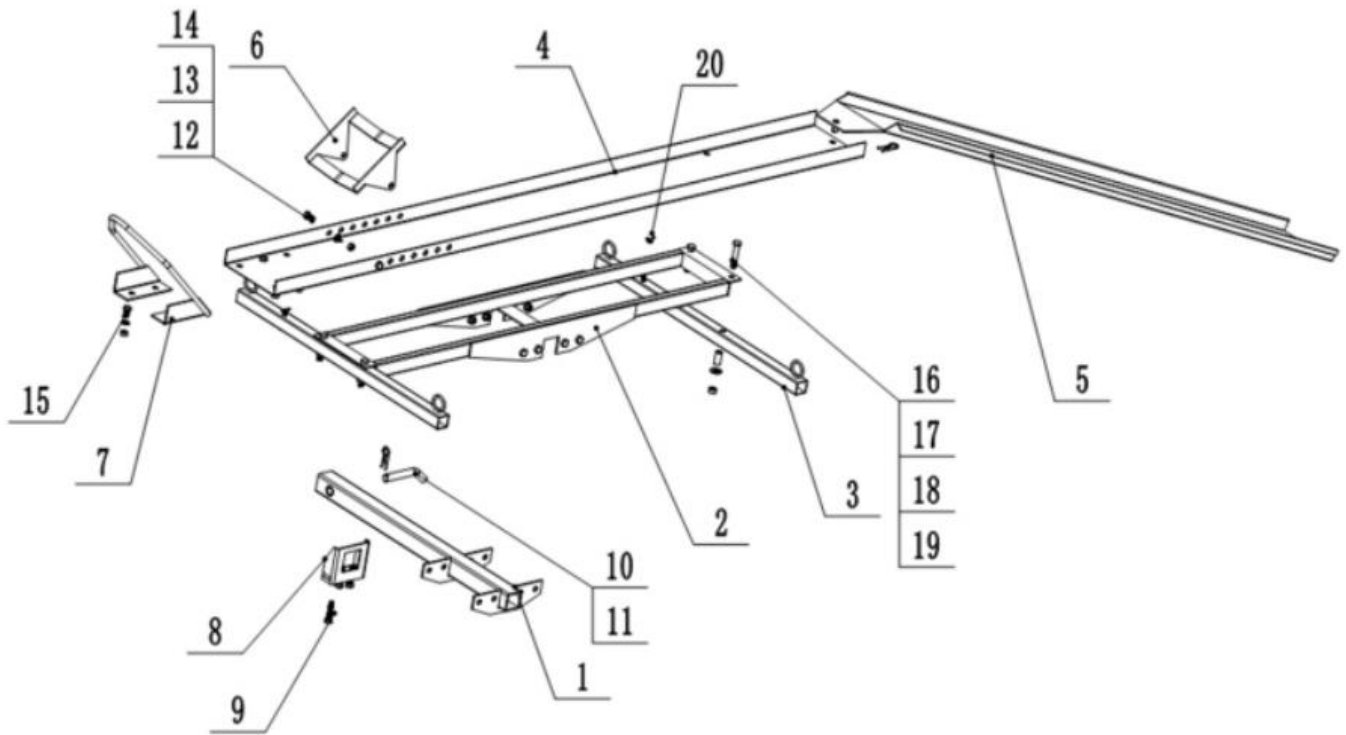
TITAN
RAMPS

Operator's Manual



Read the Operator's Manual entirely. When you see this symbol, the subsequent instructions and warnings are serious follow without exception. Your life and the lives of others depend on it!

PARTS DIAGRAM / EXPLODED VIEW



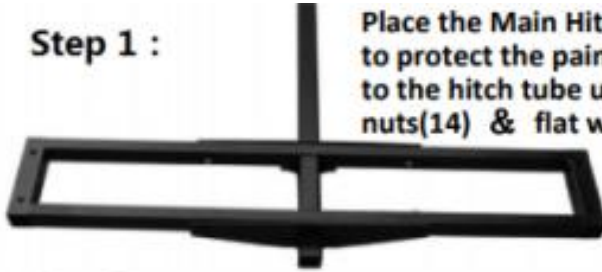
KEY	DESCRIPTION	QTY	KEY	DESCRIPTION	QTY
(1)	MAIN TUBE	1	(11)	PIN	2
(2)	CARRIER FRAME	1	(12)	BOLT M10*20	10
(3)	TIE DOWN TUBE	2	(13)	FLAT WASHER Φ 10	14
(4)	CARRIER TRACK	1	(14)	LOCK NUT M10	14
(5)	LOADING RAMP	1	(15)	BOLT M10*25	4
(6)	REAR CRADLE	1	(16)	BOLT M12*65	4
(7)	DRONT TIRE STOP	1	(17)	SLEEVES	4
(8)	ANTI-TILT	1	(18)	FLAT WASHER Φ 12	4
(9)	BOLT M10*20	3	(19)	LOCK NUT M12	4
(10)	HITCH PIN	1	(20)	WING NUT	2

SPECIFICATIONS:

- Weight Capacity – 600 lb.
- Maximum Loading Height - suggest to 1 meter

ASSEMBLY INSTRUCTIONS

Step 1 :



Place the Main Hitch Tube(1) on a piece of cardboard to protect the paint then connect the Carrier Frame(2) to the hitch tube using 8-M10*20 bolts(12) & lock nuts(14) & flat washers(13).Keeping bolts loose.

Step 2:



Image Above shows underside

Slide the Tie Down Tubes(3) into the Carrier Frame(2).Then secure the Carrier Track(4) to the Carrier Frame(2) using M12*65 bolts(16) , Sleeves(17) , Flat Washers(18) & Lock Nuts(19) on each end.



Step 3: Next connect the Front Tire Stop(7) & the Rear Cradle(6) using 4-M10*25 bolts(15) , 2-M10*20 bolts(12) and the Lock Nuts(14) to secure it to the Carrier Track(4).



Step 4: Connect the Loading Ramp(5) to the Tie Down Tubes(3) by lining up the holes with the welded bolts connect using the wing nuts(20).Slide the Anti-Tilt(8) onto the Main Tube(1).



Step 5:



To stabilize the carrier ,use the 5/8" hole & Hitch Pin(10).Slide carrier into hitch lining up the Larger 5/8" hole with hitch. Insert Hitch pin(10) & Tighten the 3-M10*50 bolts(9) on the Anti-Tilt(8) bracket.

ACKNOWLEDGEMENT OF RISK AND RELEASE OF LIABILITY

The use of any equipment, including this one, involves the potential risk of injury. Apart from any warranty claim that might be presented for a claimed defect in material or workmanship of the product, you accept and assume full responsibility for any and all injuries, damages (both economic and non-economic), and losses of any type, which may occur, and you fully and forever release and discharge Titan, its insurers, employees, officers, directors, associates, and agents from any and all claims, demands, damages, rights of action, or causes of action, present or future, whether the same be known or unknown, anticipated, or unanticipated, resulting from or arising out of the use of said equipment.

This equipment must be used with care by capable and competent individuals under supervision, if necessary.

TITAN LIMITED WARRANTY: TERMS, EXCLUSIONS AND LIMITATIONS OF REMEDIES

This product comes with a one (1) year limited warranty that can be found at www.titanramps.com/warranty.html. Please review the same for all details regarding the Titan Limited Warranty.

THE TITAN LIMITED WARRANTY FOUND AT WWW.TITANRAMPS.COM/WARRANTY.HTML IS EXCLUSIVE AND IS IN LIEU OF ALL OTHER WARRANTIES, EXPRESS OR IMPLIED, INCLUDING ANY IMPLIED WARRANTY OF MERCHANTABILITY AND/OR FITNESS FOR A PARTICULAR PURPOSE, EACH OF WHICH IS HEREBY DISCLAIMED.



NEED HELP? CONTACT US FIRST.

1-800-605-7555

info@titanramps.com

www.titanramps.com

© 2021 Titan Brands