

ATV REAR DROP BASKET

DDB2010

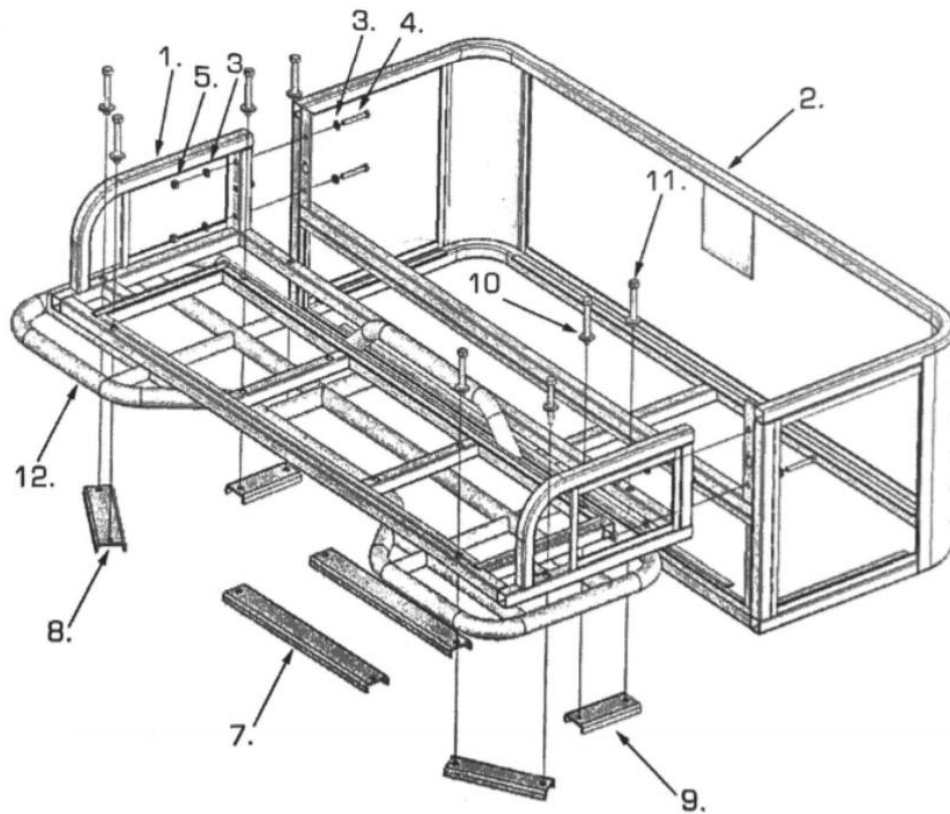
332010



Operator's Manual



Read the Operator's Manual entirely. When you see this symbol, the subsequent instructions and warnings are serious follow without exception. Your life and the lives of others depend on it!



KEY	DESCRIPTION	QTY	KEY	DESCRIPTION	QTY
(1)	BASKET RACK MOUNT	1	(7)	MOUNTING PLATE - 11.75"	2
(2)	DROP BASKET RACK	1	(8)	MOUNTING PLATE - 5.39"	2
(3)	FLAT WASHER, 1/2" OD	8	(9)	MOUNTING PLATE - 3.00"	2
(4)	1/4-20X1 1/2 BOLT	4	(10)	5/16 FLAT WASHER	8
(5)	1/4-20 LOCK NUT	4	(11)	5/16-18X2 BOLT	8
(6)	TUBE PLUGS (ALREADY INSTALLED)	6	(12)	YOUR ATV RACK	1

NOTE: hardware may be metric - additional hardware should be purchased for different mounting

WEIGHT CAPACITY: 150 lb.

ASSEMBLY INSTRUCTIONS

1. Unpack all basket parts and identify them.
2. Position the basket rack mount so it is centered on the rear rack of the ATV.
 - a. NOTE, depending on the type and size of your ATV rack, the extension may have to be removed before the basket can be installed.
3. Position any two seats of mounting plates under the ATV rack so the mounting plate hole line up with the holes of the basket rack mount. Insert (8)5/16-18 bolts through (8) washers, rack mount, and into the mounting plates. Do not tighten the bolts until all the bolts have been installed.
4. Align the rack mount evenly on the ATV rack and tighten bolts.
5. Obtain the drop basket back and mount to the rack mount. Secure it by using (4) ¼- 20x1/2 bolts, (8)1/4" flat washers, and (4)1/4" lock nuts.
6. Install tube plugs if not already installed.

ACKNOWLEDGEMENT OF RISK AND RELEASE OF LIABILITY

The use of any equipment, including this one, involves the potential risk of injury. Apart from any warranty claim that might be presented for a claimed defect in material or workmanship of the product, you accept and assume full responsibility for any and all injuries, damages (both economic and non-economic), and losses of any type, which may occur, and you fully and forever release and discharge Titan, its insurers, employees, officers, directors, associates, and agents from any and all claims, demands, damages, rights of action, or causes of action, present or future, whether the same be known or unknown, anticipated, or unanticipated, resulting from or arising out of the use of said equipment.

This equipment must be used with care by capable and competent individuals under supervision, if necessary.

TITAN LIMITED WARRANTY: TERMS, EXCLUSIONS AND LIMITATIONS OF REMEDIES

This product comes with a one (1) year limited warranty that can be found at www.titanramps.com/warranty.html. Please review the same for all details regarding the Titan Limited Warranty.

THE TITAN LIMITED WARRANTY FOUND AT WWW.TITANRAMPS.COM/WARRANTY.HTML IS EXCLUSIVE AND IS IN LIEU OF ALL OTHER WARRANTIES, EXPRESS OR IMPLIED, INCLUDING ANY IMPLIED WARRANTY OF MERCHANTABILITY AND/OR FITNESS FOR A PARTICULAR PURPOSE, EACH OF WHICH IS HEREBY DISCLAIMED.



NEED HELP? CONTACT US FIRST.

1-800-605-7555

info@titanramps.com

www.titanramps.com

© 2021 Titan Brands