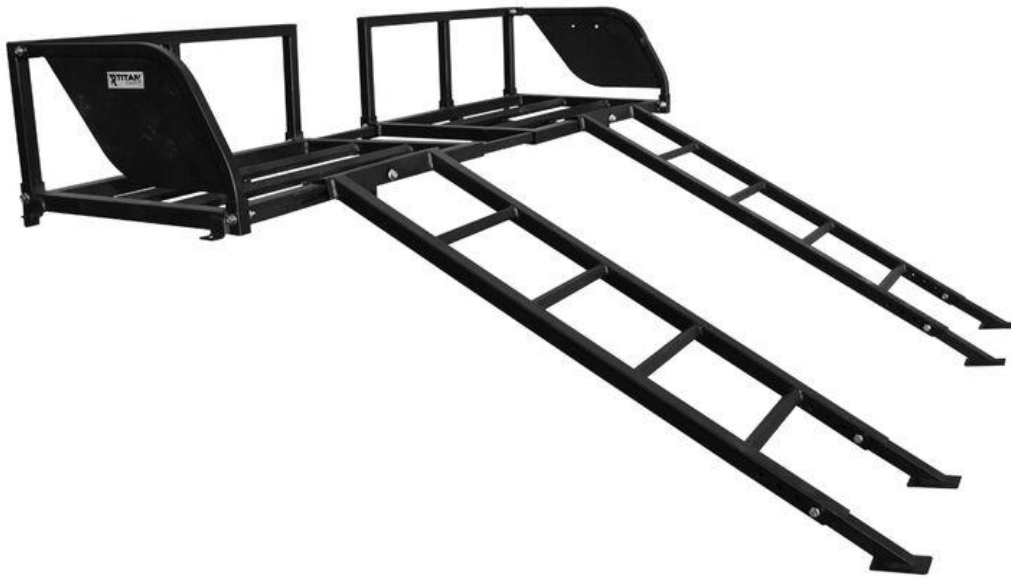


RAISED ATV UTV TRUCK BED RACK

ATVTBRACK

332022



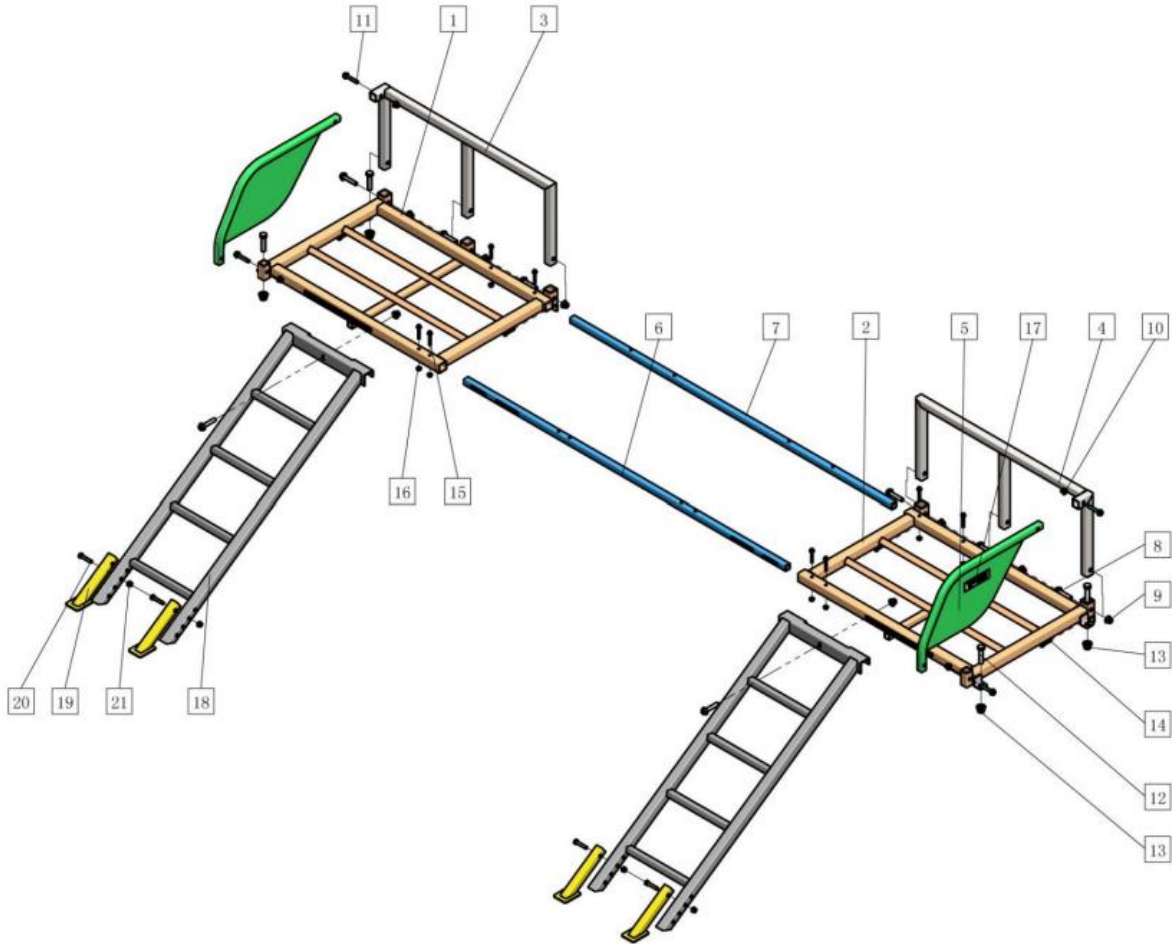
Operator's Manual

TITAN
RAMPS



Read the Operator's Manual entirely. When you see this symbol, the subsequent instructions and warnings are serious follow without exception. Your life and the lives of others depend on it!

PARTS DIAGRAM / EXPLODED VIEW



KEY	DESCRIPTION	QTY	KEY	DESCRIPTION	QTY
(1)	TIRE REST FRAME-LEFT	1	(12)	TIRE REST FRAME-RIGHT	1
(2)	TIRE REST FRAME-RIGHT	1	(13)	HEADACHE RACK-LEFT	1
(3)	HEADACHE RACK-LEFT	1	(14)	HEADACHE RACK- RIGHT	1
(4)	HEADACHE RACK- RIGHT	1	(15)	SIDE FENCE	2
(5)	SIDE FENCE	2	(16)	CONNECTING BRACE-FRONT	1
(6)	CONNECTING BRACE-FRONT	1	(17)	CONNECTING BRACE-REAR	1
(7)	CONNECTING BRACE-REAR	1	(18)	HEX FLANGE BOLT M10X50	8
(8)	HEX FLANGE BOLT M10X50	8	(19)	HEX FLANGE LOCK NUT M10	8
(9)	HEX FLANGE LOCK NUT M10	8	(20)	HEX FLANGE LOCK NUT M8	4
(10)	HEX FLANGE LOCK NUT M8	4	(21)	TIRE REST FRAME-LEFT	1
(11)	TIRE REST FRAME-LEFT	1			

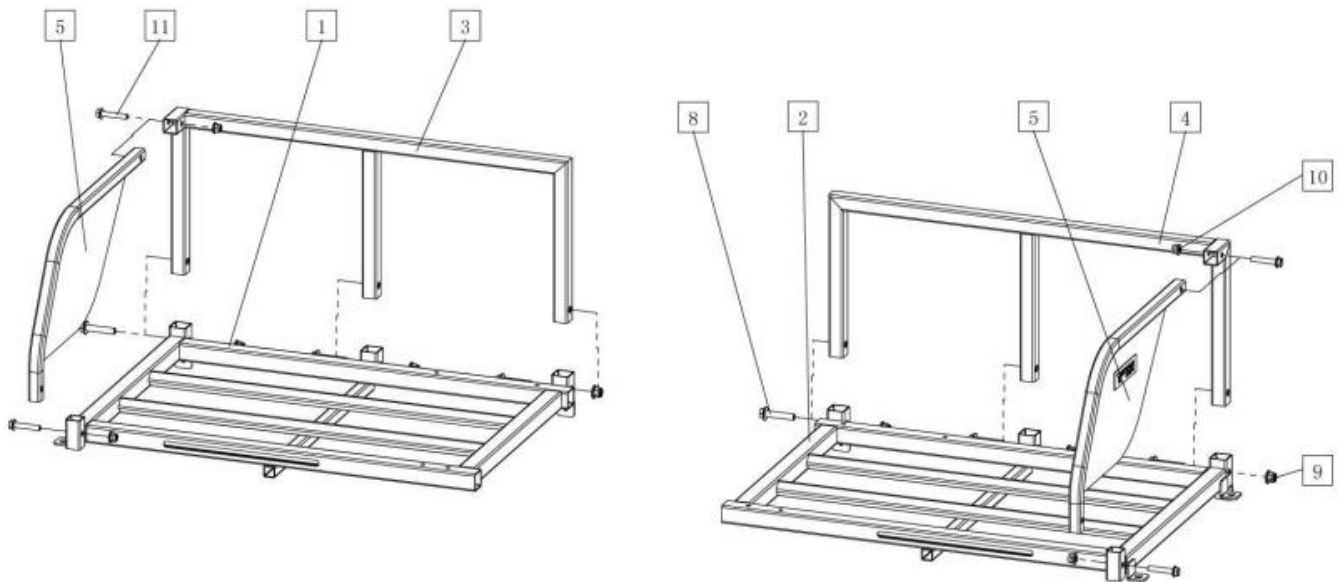
SAFETY INFORMATION

SAFETY INFORMATION:

The maximum weight capacity is the 925 LB. Do not exceed the weight capacity.

ASSEMBLY INSTRUCTIONS

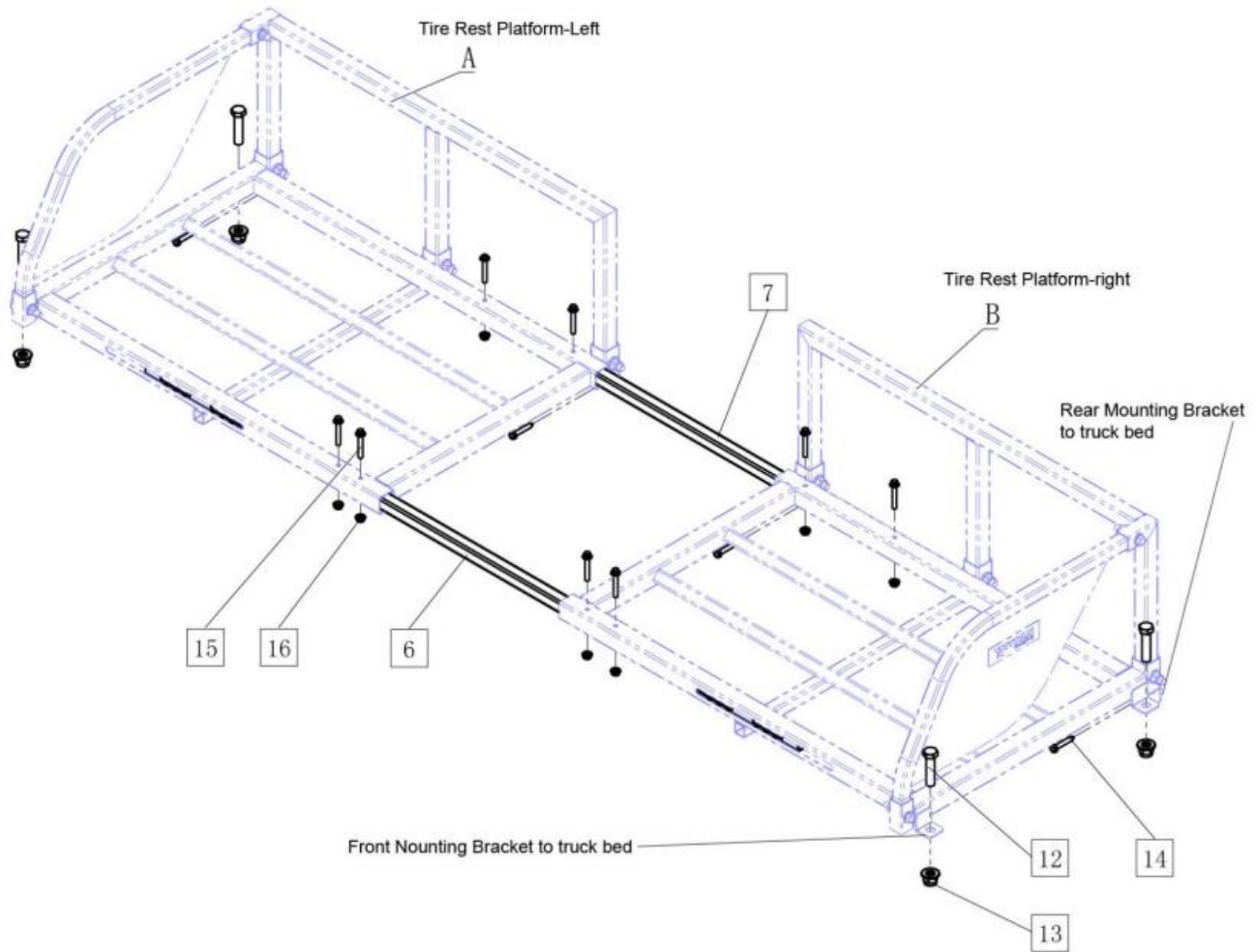
STEP 1 - ASSEMBLE LEFT AND RIGHT TIRE REST PLATFORMS



1. Insert top tube of Side Fence (5) into the top sleeve of Headache Rack-Left (3). Fasten these parts with Hex Flange Bolt M8x45 (11). Do not tighten hardware until the whole Left Platform Assembly is fully assembled.
2. Insert the tubes of above semi-assembly into the sleeves of the Left Tire Rest Frame-Left (1). Fasten these parts with Hex Flange Bolt M10 (8) and Hex Flange Lock Nut M10 (9) and tighten all hardware. The Left Tire Platform is now completed.
3. Insert top tube of Side Fence (5) into the top sleeve of Headache Rack - Right (2). Fasten these parts with Hex Flange Bolt M8x45 (11). Do not tighten hardware until the whole Right Platform is fully assembled.
4. Insert the tubes of above semi-assembly into the sleeves of the Left Tire Rest Frame-Right (1). Fasten these parts with Hex Flange Bolt M10 (8) and Hex Flange Lock Nut M10 (9) and tighten all hardware. The Right Tire Platform is now completed.

ASSEMBLY INSTRUCTIONS

STEP 2 - INSTALLING THE WHOLE TIRE REST PLATFORM ONTO YOUR TRUCK BED

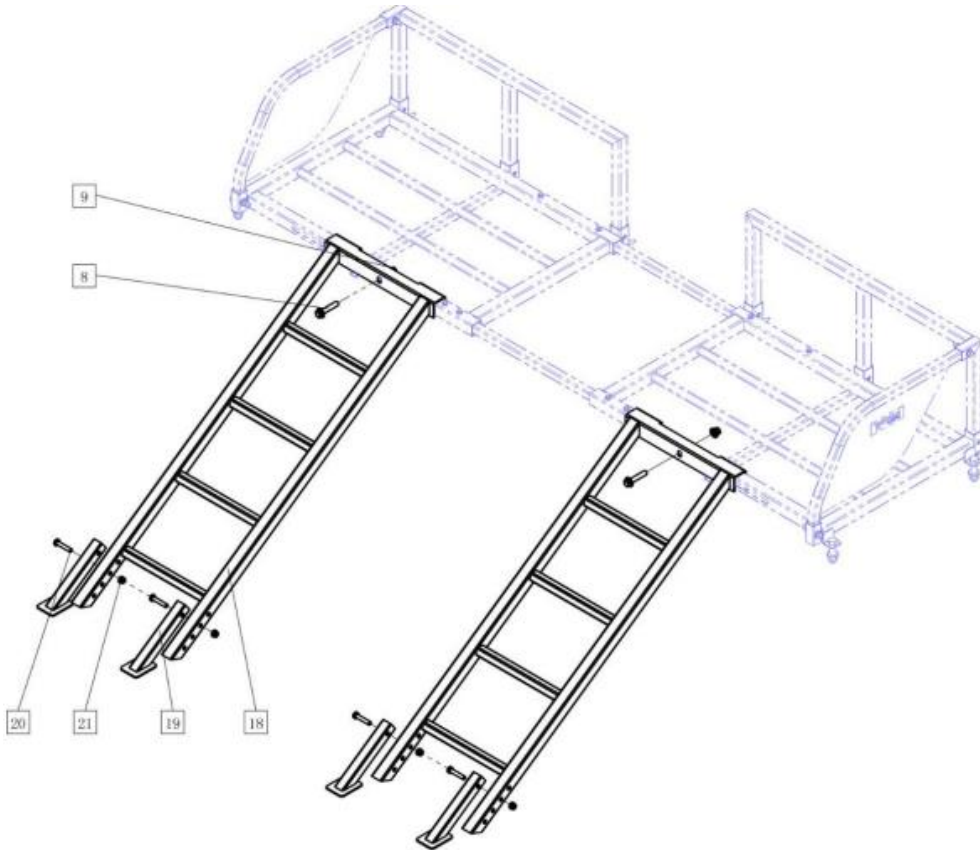


1. Sit the Tire Rest Platform-Left (A) and Tire Rest Platform-Right (B) on each side of the truck bed on top of the side wall and against the window of the cap. Insert Connecting Tube-Rear (7) and Connecting Tube-Front (6) into the Tire Rest Frame-Left (1) and Tire Rest Frame-Right (2). Adjust the distance between Tire Rest Platform-Left (A) and Sit the Tire Rest Platform-Right (B), so that the left and right mounting brackets sit on top of the side walls of truck bed. Using a hand drill and align the drill bit with the hole of the mounting bracket, and then drill a 1/2" hole through the top of the side wall. 6 Repeat this until two holes on each side are drilled.
2. Fasten the Tire Rest Platform Assembly onto the truck bed using Hex Flange Full Thread Bolt M12x50 (12) and Hex Flange Lock Nut M12 (13). Do not tighten until all 4 positions are fastened.
3. In some case whenever truck bed allows, drill a 3/16" hole through the Rear Mounting Bracket on each side through steel parts of the rear side of truck bed and tighten the Tire

Rest Platform Assembly by applying Hex Self Taping Screw ST6x40 (14) through the hole on each rear side of the truck bed.

4. Use hand drill to drill 1/4" holes through the Connecting Tube-Front (6) and Connecting Tube-Rear (7), and then fasten and the Connecting Tube-Front (6) and Connecting Tube-Rear (7) to the Tire Rest Platform Assembly by using Hex Flange Bolt M6x40 (15) and Hex Flange Lock Nut M6 (16). When all hardware is fastened, tighten all hardware.

STEP 3 – INSTALLING ATV RAMP ONTO TIRE REST PLATFORM



1. Insert Adjustable Foot Tube (19) to the ATV Ramp (18). Rest the ATV Ramps on each side of the Tire Rest Platform Assembly.
2. Adjust the Adjustable Foot Tube (19) so that they touch the floor of truck bed.
3. Adjust the distance between the ATV Ramp (18) on both sides so that the center of the left and right ATV wheels is centered at the ATV Ramp (18) on each side. Note that the distance between the ATV Ramp (18) to the center of the Tire Rest Platform Assembly on left and right sides should be the same for best performance and load capacity.
4. Align the drill bit with center hole of the ATV Ramp (18), using a hand drill to drill a 7/16" hole through the front side of Tire Rest Platform Assembly on each side. Then fasten the ATV Ramp (18) and Tire Rest Platform Assembly together on both sides tightly.
5. Fasten the Adjustable Foot Tube (19) to the ATV Ramp (18) using Hex Bolt M8x40 (20) and Hex Lock Nut M8 (21).

ACKNOWLEDGEMENT OF RISK AND RELEASE OF LIABILITY

The use of any equipment, including this one, involves the potential risk of injury. Apart from any warranty claim that might be presented for a claimed defect in material or workmanship of the product, you accept and assume full responsibility for any and all injuries, damages (both economic and non-economic), and losses of any type, which may occur, and you fully and forever release and discharge Titan, its insurers, employees, officers, directors, associates, and agents from any and all claims, demands, damages, rights of action, or causes of action, present or future, whether the same be known or unknown, anticipated, or unanticipated, resulting from or arising out of the use of said equipment.

This equipment must be used with care by capable and competent individuals under supervision, if necessary.

TITAN LIMITED WARRANTY: TERMS, EXCLUSIONS AND LIMITATIONS OF REMEDIES

This product comes with a one (1) year limited warranty that can be found at www.titanramps.com/warranty.html. Please review the same for all details regarding the Titan Limited Warranty.

THE TITAN LIMITED WARRANTY FOUND AT [WWW.TITANRAMPS.COM/WARRANTY.HTML](http://www.titanramps.com/warranty.html) IS EXCLUSIVE AND IS IN LIEU OF ALL OTHER WARRANTIES, EXPRESS OR IMPLIED, INCLUDING ANY IMPLIED WARRANTY OF MERCHANTABILITY AND/OR FITNESS FOR A PARTICULAR PURPOSE, EACH OF WHICH IS HEREBY DISCLAIMED.



NEED HELP? CONTACT US FIRST.

1-800-605-7555

info@titanramps.com

www.titanramps.com

© 2021 Titan Brands