

TITAN TRUCK BED BIKE RACK - 4 BIKES

BIKECARRIER

333100



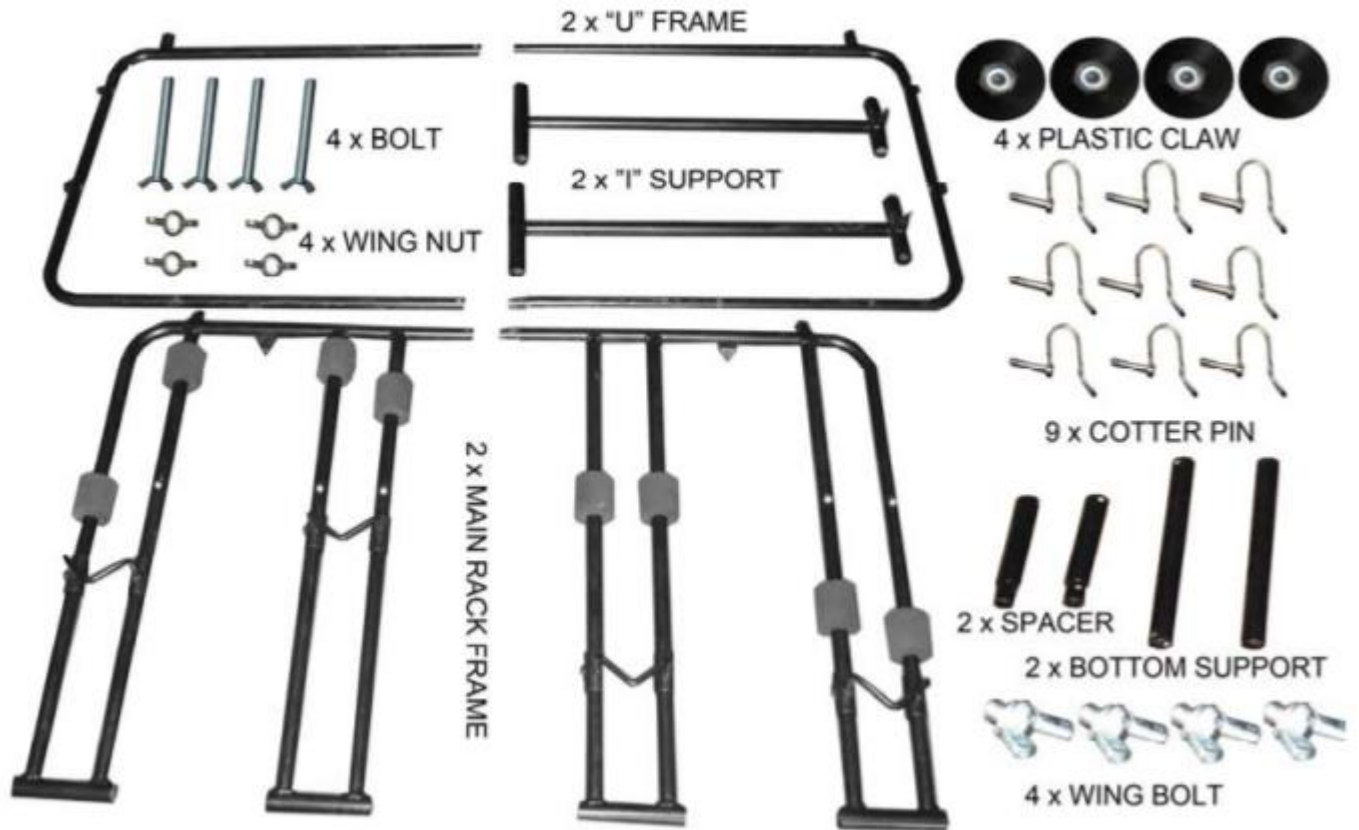
Operator's Manual

TITAN
RAMPS



Read the Operator's Manual entirely. When you see this symbol, the subsequent instructions and warnings are serious follow without exception. Your life and the lives of others depend on it!

PARTS DIAGRAM / EXPLODED VIEW



KEY	BOX	DESCRIPTION	QTY
(1)	1	"U" FRAME	2
(2)	1	"I" SUPPORT	2
(3)	1	MAIN RACK FRAME	2
(4)	1	BOLT	4
(5)	1	WING NUT	4
(6)	1	PLASTIC CLAW	4
(7)	1	COTTER PIN	9
(8)	1	SPACER	2
(9)	1	BOTTOM SUPPORT	2
(10)	1	WING BOLT	4

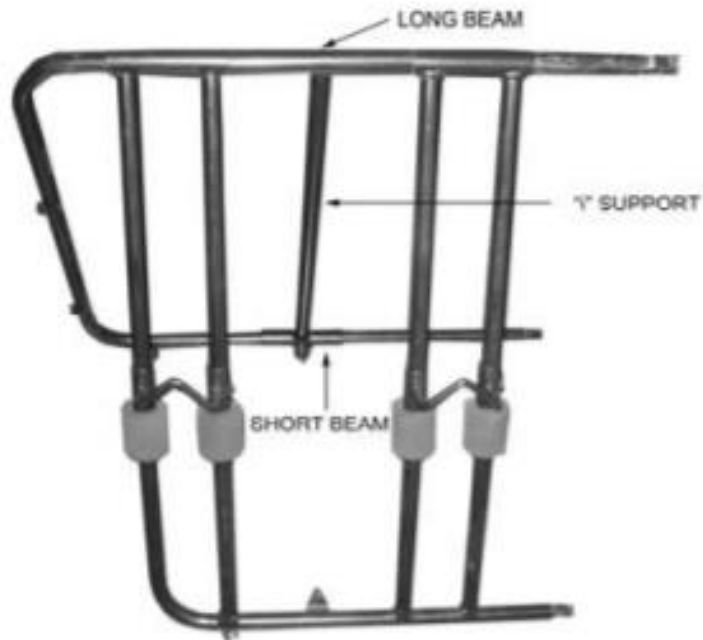
WEIGHT CAPACITY/MAXIMUM LOADING HEIGHT

Rated 4 bikes, height suggest to 1 meter

ASSEMBLY INSTRUCTIONS

STEP 1

Assemble main rack frame, U frame, and "I" support, see the figure.



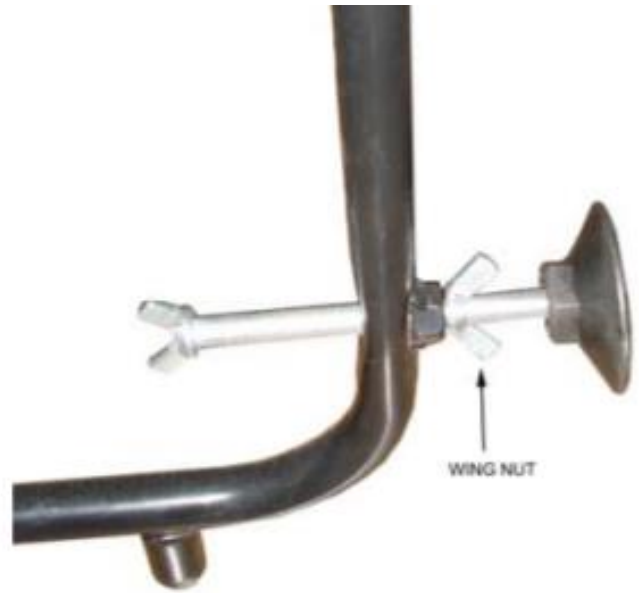
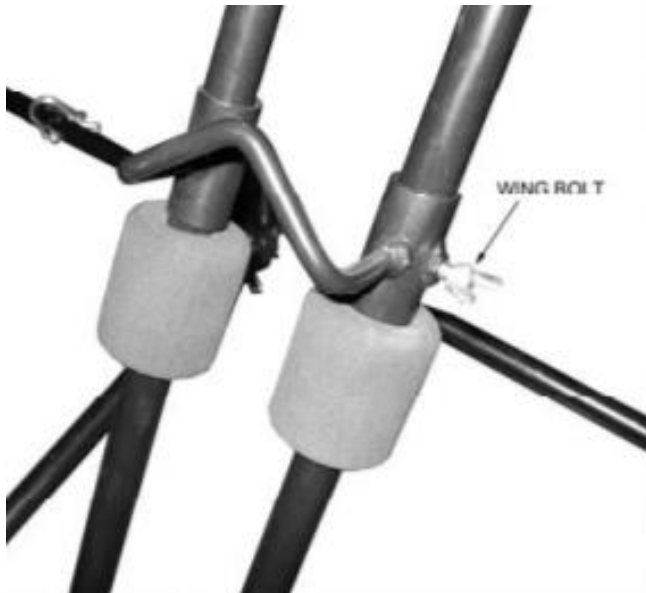
STEP 2

Assemble bottom support by using 2 cotter pins.



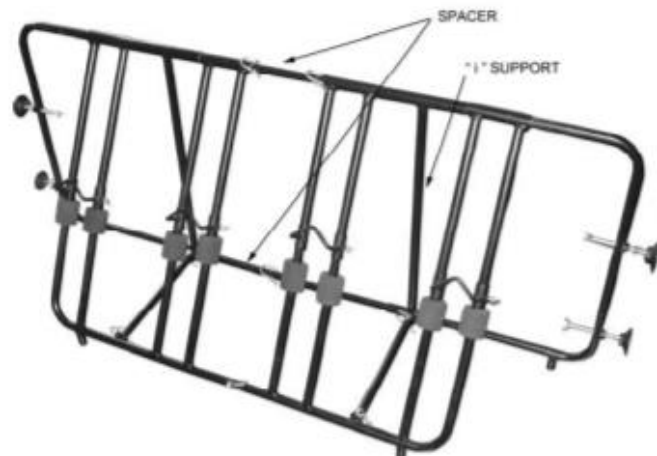
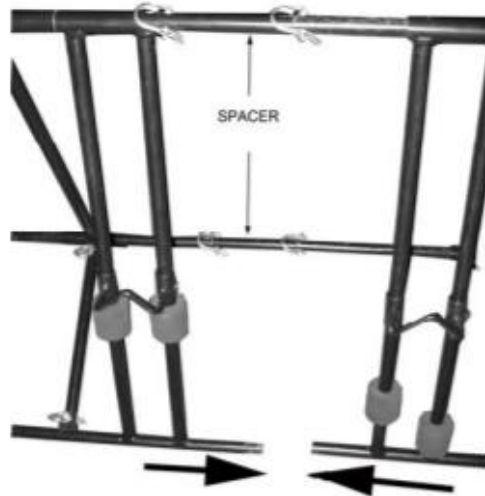
STEP 3

Install wing bolt to adjust the height of rack. Install bolt, wing nut and plastic claw together to adjust the rack width.



STEP 4

Assemble spacers by using cotter pins.



ACKNOWLEDGEMENT OF RISK AND RELEASE OF LIABILITY

The use of any equipment, including this one, involves the potential risk of injury. Apart from any warranty claim that might be presented for a claimed defect in material or workmanship of the product, you accept and assume full responsibility for any and all injuries, damages (both economic and non-economic), and losses of any type, which may occur, and you fully and forever release and discharge Titan, its insurers, employees, officers, directors, associates, and agents from any and all claims, demands, damages, rights of action, or causes of action, present or future, whether the same be known or unknown, anticipated, or unanticipated, resulting from or arising out of the use of said equipment.

This equipment must be used with care by capable and competent individuals under supervision, if necessary.

TITAN LIMITED WARRANTY: TERMS, EXCLUSIONS AND LIMITATIONS OF REMEDIES

This product comes with a one (1) year limited warranty that can be found at www.titanramps.com/warranty.html. Please review the same for all details regarding the Titan Limited Warranty.

THE TITAN LIMITED WARRANTY FOUND AT WWW.TITANRAMPS.COM/WARRANTY.HTML IS EXCLUSIVE AND IS IN LIEU OF ALL OTHER WARRANTIES, EXPRESS OR IMPLIED, INCLUDING ANY IMPLIED WARRANTY OF MERCHANTABILITY AND/OR FITNESS FOR A PARTICULAR PURPOSE, EACH OF WHICH IS HEREBY DISCLAIMED.



NEED HELP? CONTACT US FIRST.

1-800-605-7555

info@titanramps.com

www.titanramps.com

© 2021 Titan Brands