

GRADE A TEAK MONTANA TWIN CHAIN PORCH SWING

TSWNGBEDCSHSS

899282



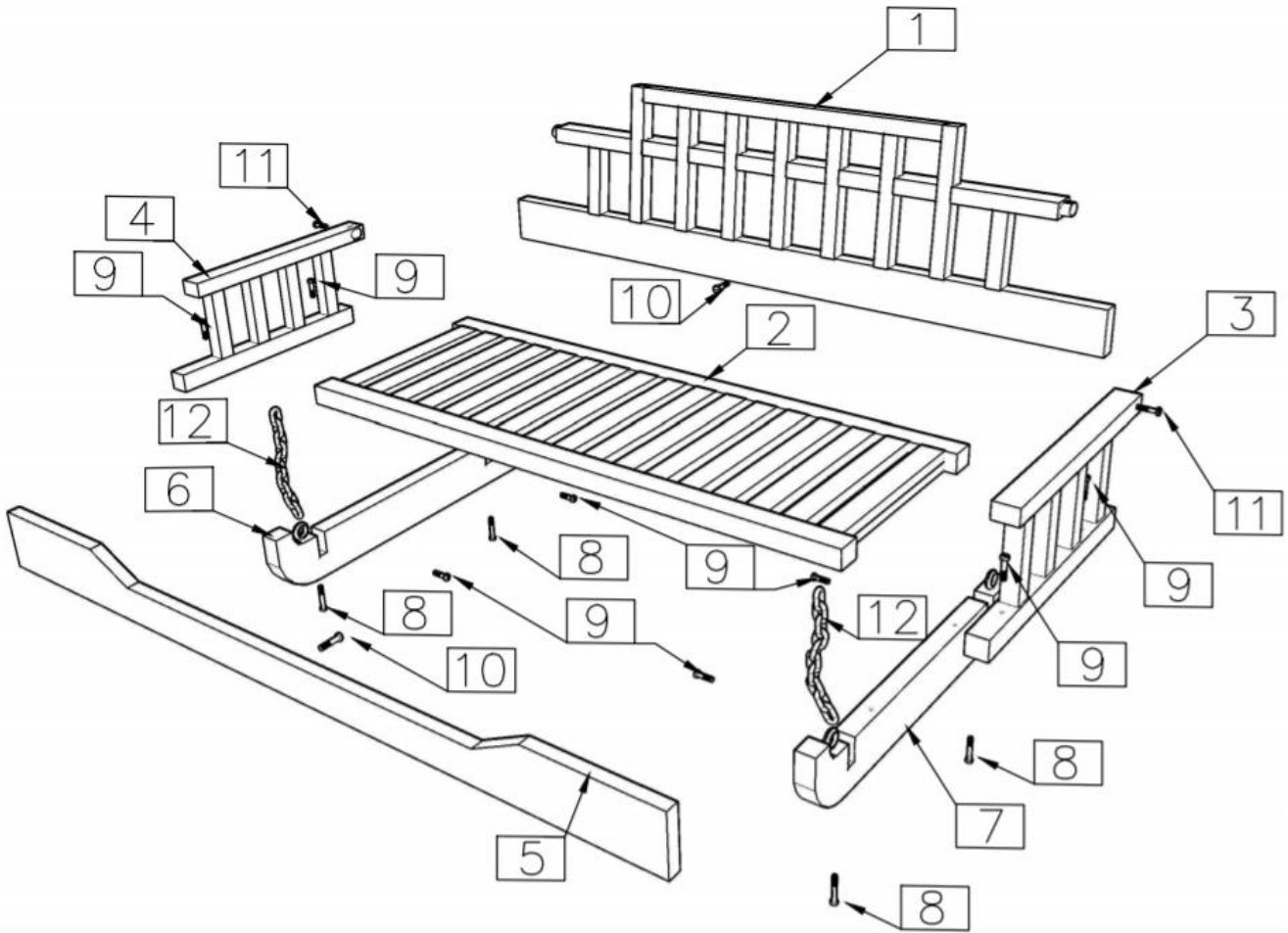
Operator's Manual



Read the Operator's Manual entirely. When you see this symbol, the subsequent instructions and warnings are serious follow without exception. Your life and the lives of others depend on it!

TITAN
GREAT OUTDOORS

PARTS DIAGRAM / EXPLODED VIEW



KEY	DESCRIPTION	QTY	KEY	DESCRIPTION	QTY
(1)	BACK	1	(7)	HORIZONTAL SUPPORT (SIDE R)	1
(2)	SEAT	1	(8)	M8 X 12 CM SS	4
(3)	SIDE R	1	(9)	M8 X 6 CM SS	8
(4)	SIDE L	1	(10)	M8 X 8 CM SS	2
(5)	HORIZONTAL SUPPORT (FRONT)	1	(11)	M6 X 6 CM SS	2
(6)	HORIZONTAL SUPPORT (SIDE L)	1	(12)	STAINLESS STEEL CHAIN	2

INSTALLATION INSTRUCTIONS

STEP 1:

Figure out where you want to hang your swing and locate the ceiling joists (studs) that line up closest to the rope hole dimensions of your swing. Most ceiling joists will not line up perfectly with the swing hole points; this is normal. In other words, when the holes on the swing are spaced at 84 inches apart, the closest joists will likely be spaced at 80" or 96" apart. You can either choose to have your ropes angle out, or very slightly in (neither will affect the functionality of the swing). 80" is much closer to 84", so your rope angle won't be noticeable at all.

STEP 2:

Pre-drill a hole in the center of the joist (if you have a ceiling or cannot access the joists, please contact a licensed contractor or handyman to install your hooks)

STEP 3:

Install your 2-point lag screw eyes to the ceiling.

STEP 4:

Loop the chains through the lag screw.

STEP 5:

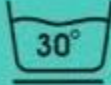


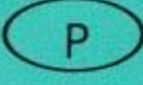
Place the frame of the bed on a 5-gallon bucket to help factor in the ideal height you would like the bed to hang from. Then attached the s-hooks to the bed-base lag screw eye and attach the desired chain link to the other end of the s-hook.

STEP 6:

Place all provided cushions and pillows on the base, sit back, and relax!

TECHNICAL SPECIFICATION		
DESIGN . SR 10		
	Inspection Items	RESULT
1	Composition	100% Polyester
2	Weight (g/m ²)	480
3	Width (cm)	140
4	Tensile Strength (N) BS EN ISO 13934-1 : 1999	PASS
5	Tearing Resistance (N) Tongue Method BS EN ISO 13937-2	PASS
6	Seam Slippage Resistance (N) BS 3320 : 1998	PASS
7	Abrasion Resistance (cycle) BS EN ISO 12947-2	80,000
8	Pilling Resistance (cycle) BS EN ISO 12945-1	PASS
9	Color Fastness to Rubbing BS EN ISO 105 X12 - Dry and Wet Rubbing	PASS
10	Color Fastness to Chlorinated Pool Water BS EN ISO 105-E03	PASS
11	Color Fastness to Light for SR 10 B04 - Max 8	6 - 7
12	Ultra Violet Protection (UPF) AS / NZS 4399 : 1996 Max 50	PASS
13	Soil And Stain Resistance BS EN ISO 105 A02 : grey scale	PASS
14	Water Repellent Resistance BS EN 24920 : Spray test	PASS
15	Flammability BS 5852 : Part 1 Smouldering cigarette	PASS

CLEANING INSTRUCTIONS

WASHING INSTRUCTIONS			
			
CARE AND CLEANING			
<p>SR fabric is soil and stain resistant. For spot cleaning, apply 10 - 20 ml of detergent solution using a spray bottle on the stain and scrub the area with soft bristle brush. Rinse thoroughly and air dry.</p> <p>If washing is required, machine wash in cold water (maximum temperature 30°), use mild laundry detergent and allow the fabric to air dry. Machine wash cleaning may reduce the water repellency of SR 10.</p> <p>* Optional with additional charges</p>			



ACKNOWLEDGEMENT OF RISK AND RELEASE OF LIABILITY

The use of any equipment, including this one, involves the potential risk of injury. Apart from any warranty claim that might be presented for a claimed defect in material or workmanship of the product, you accept and assume full responsibility for any and all injuries, damages (both economic and non-economic), and losses of any type, which may occur, and you fully and forever release and discharge Titan, its insurers, employees, officers, directors, associates, and agents from any and all claims, demands, damages, rights of action, or causes of action, present or future, whether the same be known or unknown, anticipated, or unanticipated, resulting from or arising out of the use of said equipment.

This equipment must be used with care by capable and competent individuals under supervision, if necessary.

WARNING



Heavy object. Use lifting aids and proper lifting techniques when moving.



Choking hazard. Small parts - Please exercise caution if small children or pets are present.



Sharp objects may be involved. Use precaution and protection.

TITAN LIMITED WARRANTY: TERMS, EXCLUSIONS AND LIMITATIONS OF REMEDIES

This product comes with a one (1) year limited warranty that can be found at www.titangreatoutdoors.com/warranty.html. Please review the same for all details regarding the Titan Limited Warranty.

THE TITAN LIMITED WARRANTY FOUND AT WWW.TITANGREATOUTDOORS.COM/WARRANTY.HTML IS EXCLUSIVE AND IS IN LIEU OF ALL OTHER WARRANTIES, EXPRESS OR IMPLIED, INCLUDING ANY IMPLIED WARRANTY OF MERCHANTABILITY AND/OR FITNESS FOR A PARTICULAR PURPOSE, EACH OF WHICH IS HEREBY DISCLAIMED.



NEED HELP? CONTACT US FIRST.

1-888-794-1455

info@titangreatoutdoors.com
www.titangreatoutdoors.com

© 2021 Titan Brands