

TOWABLE WOOD CHIPPER

ATVWC3

198270



Operator's Manual



Read the Operator's Manual entirely. When you see this symbol, the subsequent instructions and warnings are serious follow without exception. Your life and the lives of others depend on it!



WARNING

Read this Safety & Operating Instructions manual before you use the Woodchipper. Become familiar with the operation and service recommendations to ensure the best performance of your machine.



CAUTION

This machine is designed solely to chip wood and must not be used for any other purpose. It should only be used by trained operators who are familiar with the content of this manual. It is potentially hazardous to fit or use any parts other than your dealer parts. The company disclaims all liability for the consequences of such use, which in addition voids the machine warranty.

BEFORE USING THE WOODCHIPPER



NOTICE

- A. Operators must be fully trained before using this machine.
- B. User Manual is read and understood.
- C. Machine is positioned on level ground; all guards are fitted and in good condition.
- D. Blades are in good condition and secure. All blades are sharpened or replaced in sets.
- E. All fasteners are checked for tightness.
- F. Only WOODEN materials free of nails etc. are fed into the machine.
- G. Fire extinguisher is available on site.
- H. Always feed from the side.
- I. It is better to have a second trained operator within easy reach of the machine.
- J. Always maintain strict discipline and service machine at specified periods.
- K. Note direction of discharge chute and if necessary, note the wind direction to prevent debris from being blown into highway or where it could affect members of the public.
- L. DO NOT put any part of your body into the in-feed chute while the machine is running.
- M. DO NOT operate the machine whilst under the influence of alcohol or drugs.
- N. DO NOT operate inside a building or confined space or Climb on the in-feed chute.

WHEN USING THE WOODCHIPPER

NOTICE

- A. Always feed from the side.
- B. It is better to have a second trained operator within easy reach of the machine.
- C. Always maintain strict discipline and service machine at specified periods.
- D. Note direction of discharge chute and if necessary, note the wind direction to prevent debris from being blown into highway or where it could affect members of the public.
- E. DO NOT put any part of your body into the in-feed chute while the machine is running.
- F. DO NOT operate the machine while under the influence of alcohol or drugs.
- G. DO NOT operate inside a building or confined space or Climb on the in-feed chute.

PROTECTING YOURSELF AND THOSE AROUND YOU

WARNING

This is a high-powered machine, with moving parts operating with high energy. You must operate the machine safely. Unsafe operation can create a number of hazards for you, as well as anyone else in the nearby area. Always take the following precautions when using this machine:

- A. Keep in mind that the operator or user is responsible for accidents or hazards occurring to other people, their property, and themselves.
- B. Always wear protective goggles or safety glasses with side shields while using the Woodchipper to protect your eyes from possible thrown debris.
- C. Avoid wearing loose clothing or jewelry, which can catch on moving parts.
- D. We recommend wearing gloves while using the Woodchipper. Be sure your gloves fit properly and do not have loose cuffs or drawstrings.
- E. Wear shoes with non-slip treads when using your Woodchipper. If you have safety shoes, we recommend wearing them. Do not use the machine while barefoot or wearing open sandals.
- F. Wear long pants while operating the Woodchipper.
- G. Always keep bystanders at least 50 feet away from your work area. Stop the engine when another person or pet approaches.

SAFETY FOR CHILDREN AND PETS

WARNING

Tragic accidents can occur if the operator is not alert to the presence of children and pets. Children are often attracted to the machine and the chipping activity. Never assume that children will remain where you last saw them. Always follow these precautions:

- A. Keep children and pets at least 50 feet from the working area and ensure they are under the watchful care of a responsible adult.
- B. Be alert and turn the machine off if children or pets enter the work area.
- C. Never allow children to operate the Woodchipper.

SAFETY WITH GASOLINE - POWERED MACHINES



WARNING

Gasoline is a highly flammable liquid. Gasoline also gives off flammable vapor that can be easily ignited and cause a fire or explosion. Never overlook the hazards of gasoline. Always follow these precautions:

- A. Never run the engine in an enclosed area or without proper ventilation as the exhaust from the engine contains carbon monoxide, which is an odorless, tasteless, and a deadly poisonous gas.
- B. Store all fuel and oil in containers specifically designed and approved for this purpose and keep away from heat and open flame, and out of the reach of children.
- C. Replace rubber fuel lines and grommets when worn or damaged and after 5 years of use.
- D. Fill the gasoline tank outdoors with the engine off and allow the engine to cool completely. Don't handle gasoline if you or anyone nearby is smoking, or if you're near anything that could cause it to ignite or explode. Reinstall the fuel tank cap and fuel container cap securely.
- E. If you spill gasoline, do not attempt to start the engine. Move the machine away from the area of the spill and avoid creating any source of ignition until the gas vapors have dissipated. Wipe up any spilled fuel to prevent a fire hazard and properly dispose of the waste.
- F. Allow the engine to cool completely before storing in any enclosure. Never store a machine that has gas in the tank, or a fuel container, near an open flame or spark such as a water heater, space heater, clothes dryer, or furnace.
- G. Never adjust or repairs with the engine running. Shut down the engine, disconnect the spark plug wire, keeping it away from the spark plug to prevent accidental starting, wait 5 minutes before adjusting or repairs.
- H. Never tamper with the engine's governor setting. The governor controls the maximum safe operation speed and protects the engine. Over-speeding the engine is dangerous and will cause damage to the engine and to the other moving parts of the machine. If required see your authorized dealer for engine governor adjustments.
- I. Keep combustible substances away from the engine when it is hot.
- J. Never cover the machine while the muffler is still hot.
- K. Do not operate the engine with the air cleaner or the carburetor air intake cover removed. Removal of such parts could create a fire hazard. Do not use flammable solutions to clean air filter.
- L. The muffler and engine become very hot and can cause a severe burn: do not touch.

GENERAL SAFETY



WARNING

Operating this Woodchipper safely is necessary to prevent or minimize the risk of death or serious injury. Unsafe operation can create several hazards for you. Always take the following precautions when operating:

- A. Your Woodchipper is a powerful tool, not a plaything. Exercise extreme caution always. The machine is designed to Chip Woods. Do not use it for any other purpose.
- B. Know how to stop the Woodchipper quickly.
- C. Never operate your unit on a slippery, wet, muddy, or icy surface. Exercise caution to avoid slipping or falling.
- D. See manufacturer's instructions for proper operation and installation of accessories.
- E. Never use the machine without ensuring that all guards and shields are in place.
- F. Never, under any conditions, remove, bend, cut, fit, weld, or otherwise alter standard parts on the Woodchipper. This includes all shields and guards. Modifications to your machine could cause personal injuries and property damage and will invalidate your warranty.
- G. If the machine starts to make an unusual noise or vibrate, shut down the engine, disconnect the spark plug wire, keeping it away from the spark plug to prevent accidental starting, wait 5 minutes for engine to cool down, then inspect for damage. Vibration is a warning of trouble. Check damaged parts and clean, repair and/or replace, as necessary.
- H. Never tamper with safety devices. Check their proper operation regularly.
- I. Before performing any maintenance or inspection procedure, shut down the engine, disconnect the spark plug wire keeping it away from the spark plug to prevent accidental starting, wait 5 minutes for machine to cool down.
- J. Never allow people who are unfamiliar with these instructions to use the Woodchipper. Allow only responsible individuals who are familiar with these rules of safe operation to use your machine.
- K. Never overload or attempt to chip woods beyond the manufacturer's recommendation. It could result in personal injury or damage to the machine.
- L. While using, do not hurry or take things for granted. When in doubt about the equipment or your surroundings stop the machine and take time to look things over.
- M. Never operate the machine when under the influence of alcohol, drugs, or medication.
- N. Use the machine only in daylight.
- O. Stay alert for hidden hazards or traffic.
- P. Keep all nuts and bolts tight and keep the equipment in good operating conditions.

A NOTE TO ALL USERS

List of warnings and cautions cannot be all-inclusive. If situations occur that are not covered by this manual, the operator must apply common sense and operate this WOODCHIPPER in a safe manner. Contact the dealers for assistance in your area

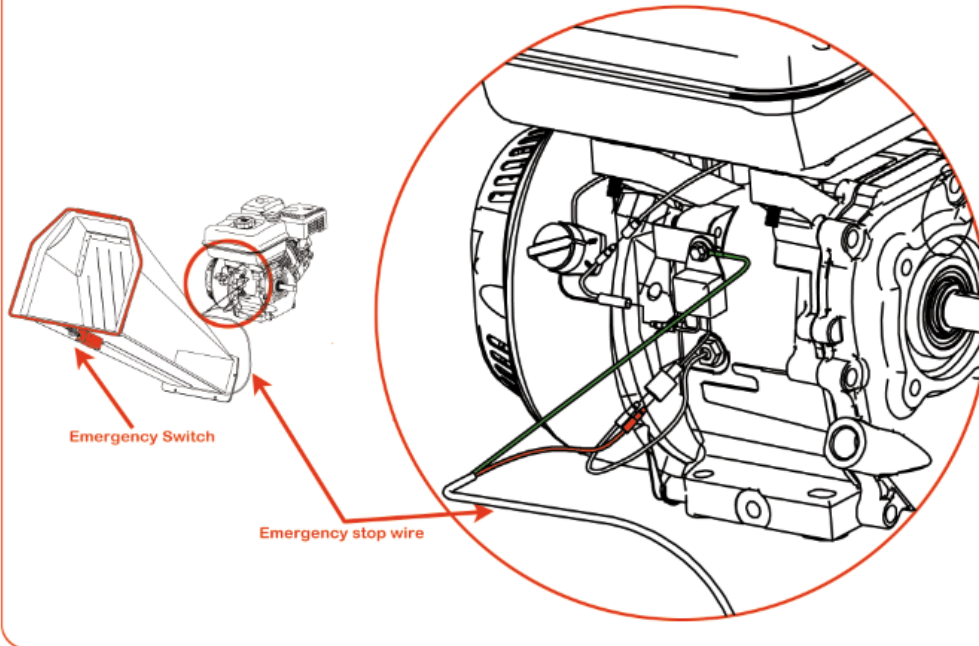
PART 1: GENERAL SAFETY RULES (CONT)

SAFETY LABELS FOUND ON YOUR UNIT



! WARNING: EMERGENCY STOP

- Make sure the emergency stop wire is rightly connected. If not, may result in death or serious injury.



PART 2: Familiar with the Woodchipper

TECHNICAL SPECIFICATIONS

START	RECOIL START
ENGINE	6.5HP/7HP FOUR STROKES
POWER	GASOLINE/PETROL
CHIPPER CAPACITY	3CBM/HOUR TO 5CBM/HOUR
WOOD DIAMETER	DIAMETER 100MM
PERMITTED WOOD WIDTH	150MM
CHIPPER BLADE	TWIN REVERSIBLE BLADES
TIRE	4.10/3.5-4
OVERALL HEIGHT	1080MM
OVERALL LENGTH	1500MM
WIDTH	540MM
WEIGHT	100/85KGS
ROLLER MAX RPM	2400RPM

PART 3: OPERATING THE WOODCHIPPER



WARNING

- A. Read and understand all instructions, safety precautions, and/or warnings listed in “PART I: General Safety Rules” before operating the WOODCHIPPER. If any doubt or question arises about the correct or safe method of performing anything found in this manual, please contact the dealers in your area.
- B. When operating the Woodchipper, make sure you are standing in the safe operating area (OPERATOR ZONE). You must always stay in the safe operating area when the ram is in motion (whether extending or retracting). Never place any part of your body into a position that causes an unsafe operating condition.
- C. Before loading and operating the Woodchipper, always wear protective gear, including safety goggles, hearing protection, tight-fitting gloves without draw strings or loose cuffs, and steel-toed shoes.
- D. Knowing the correct and incorrect methods of Chipping Woods. Never using an incorrect or unsafe method.

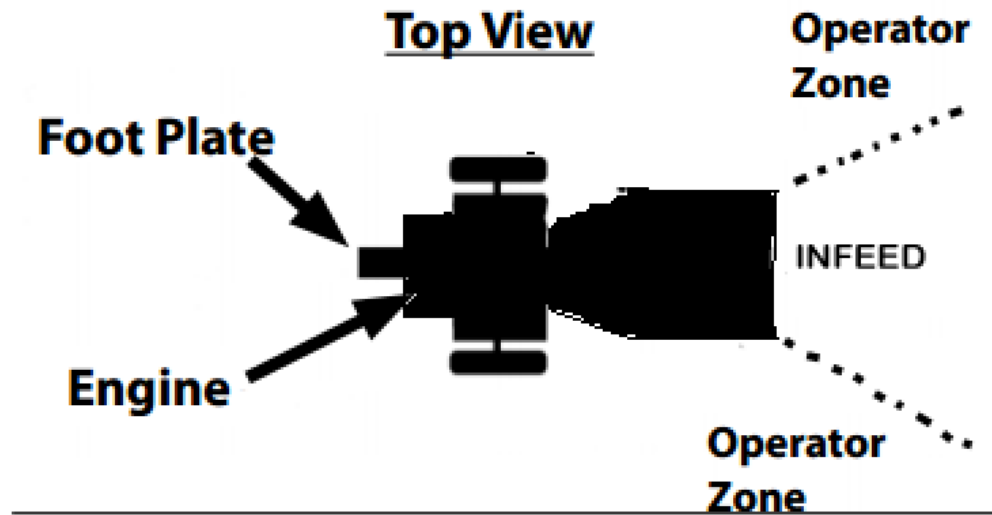
STARTING

1. Position your Woodchipper on flat, dry ground, and then stop the front wheel with brake, make sure the machine cannot be moved.
2. Make sure the fuel shut-off valve is in the “ON” position.
3. Move the choke control lever to the “CHOKE” position (should only be needed if the engine is cold).
4. Move the throttle control lever to the “FAST” position.
5. Recoil Start: Turn the Ignition Switch to the “On” position. Grasp the recoil starter handle and gently pull until you feel resistance. Let the cord retract a little bit then pull the cord rapidly to start the engine. One or two pulls usually starts the engine.
6. Electric Start: Turn and hold the Key in the start position until Engine starts then let the Key return to run position.
7. Move the choke control lever (if used for cold engine) slowly back to the “RUN” position when the engine is running well.
8. If the Woodchipper has not been running (cold engine), warm up the engine by running the engine at half throttle for 3 to 4 minutes, then advance the engine throttle control to the maximum speed.

STOPPING

1. Move the Throttle Lever to IDLE.
2. Recoil Start: Turn the Ignition Switch to the OFF position.
3. Electric Start: Turn the Key to the OFF position.

OPERATOR ZONE



WOOD CHIPPING

NOTICE

Woods and branches' diameter should be no bigger than 120mm.

WARNING

Do not place your hands into the chute when loading. This is a very UNSAFE method and could result in injury to your hands.

Do not reach or step across the rail while the Woodchipper is running. This is a very UNSAFE method which could cause personal injury, even death.

WHEN BLOCKED

If the roller stops while chipping woods or branches, the engine should be stopped, and take out the woods which stuck the roller, and then restart the engine and chip again.

PART 4: MAINTAINING THE WOODCHIPPER

Regular maintenance is the way to ensure the best performance and long life of your machine. Please refer to this manual and the engine manufacturer's user manual for maintenance procedures.



WARNING

Before performing any maintenance procedure or inspection, stop the engine, wait five minutes to allow all parts to cool. Disconnect the spark plug wire, keeping it away from the spark plug. Disconnect the Battery Terminals (Electric Start Only).

REGULAR MAINTENANCE CHECKLIST

PROCEDURE	BEFORE EACH USE	EVERY 3 HOURS	EVERY 25 HOURS	EVERY 100 HOURS
CHECK ENGINE OIL LEVEL	Δ			
CHECK GENERAL EQUIPMENT CONDITION	Δ			
CHECK WEDGE FOR SHARPNESS	Δ			
GREASE SURFACE OF SLIDE RAIL	Δ			
CHECK BELTS	Δ			
GREASE RACK AND PINION		Δ		
CHECK TIRE PRESSURE			Δ	
CLEAN ENGINE EXTERIOR AND COOLING			Δ	
CHANGE ENGINE OIL	FIRST TIME 5 HOURS		Δ	
REPLACE AIR FILTER			Δ	
REPLACE SPARK PLUG				Δ

Engine Service

Refer to the engine manufacturer's user manual for engine maintenance.

LUBRICATION



NOTICE

All Bearings of your Chipper are sealed units and should have sufficient lubricant to last the life of your machine with normal use.

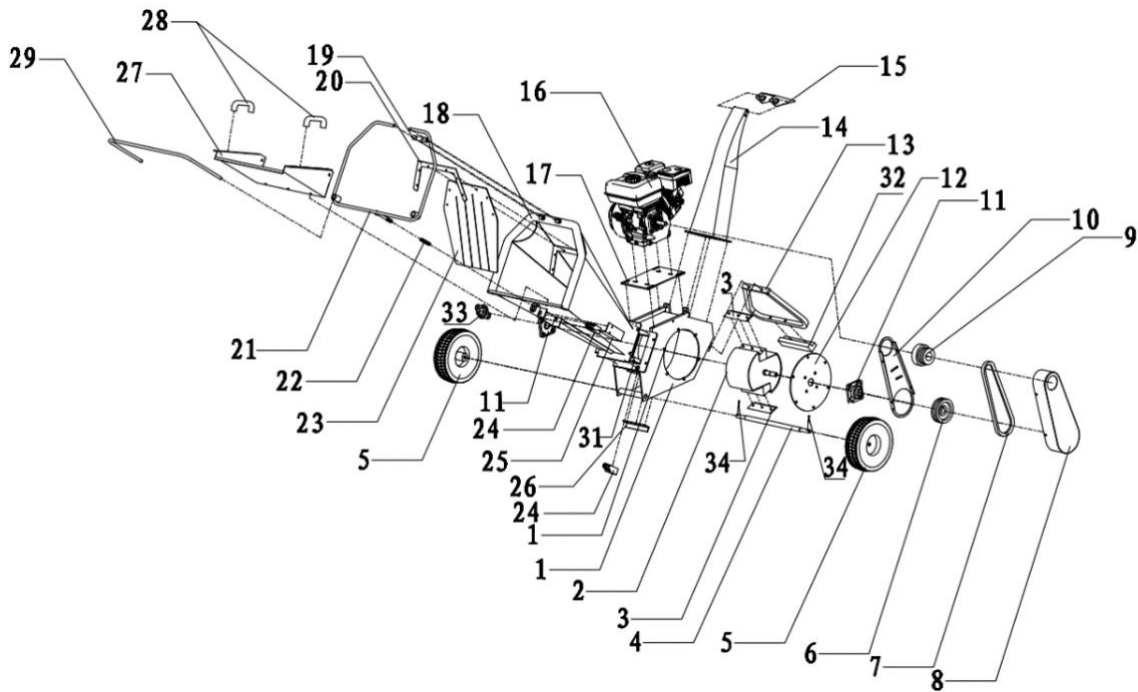
 **WARNING**

Before performing any maintenance procedure or inspection, stop the engine, wait five minutes to allow all parts to cool. Disconnect the spark plug wire, keeping it away from the spark plug.

TROUBLESHOOTING TABLE

SYMPTOM	POSSIBLE CAUSE
<p>The engine will not start.</p> <p>(Please refer to the engine user manual for engine-specific procedures.)</p>	<ul style="list-style-type: none"> ➤ Is the ignition switch in the “ON” position? ➤ Is the fuel shut-off valve on? ➤ Are you using fresh, clean gas? If the gas is old, change it. Use a fuel stabilizer if you keep gas longer than 30 days. ➤ Does the spark plug clean? If the spark plug is dirty or cracked, change it. If it’s oily, leave it out, hold a rag over the plug hole and pull the recoil cord several times to blow out any oil in the cylinder, then wipe off the plug and reinsert it.
<p>The engine lacks power or is not running smoothly.</p> <p>(Please refer to the engine user manual for engine-specific procedures.)</p>	<ul style="list-style-type: none"> ➤ Check that the Throttle Lever is in the “Run” position. ➤ Is the air filter clean? If it’s dirty, change it following the procedure in the engine manufacturer’s owner’s manual. ➤ Does the spark plug clean? If it’s fouled or cracked, change it. If it’s oily, leave it out, hold a rag over the plug hole and pull your recoil cord several times to blow out any oil in the cylinder, then wipe off the plug and reinsert it. ➤ Are you using fresh, clean unleaded gas? If it’s old, change it. Use a fuel stabilizer if you keep gas longer than 30 days. ➤ Does your engine have the right amount of clean oil? If it’s dirty, change it following the procedure in the engine manufacturer’s owner’s manual. ➤ Check the oil level and adjust as needed.
<p>Engine smokes.</p> <p>(Please refer to the engine user manual for engine-specific procedures.)</p>	<ul style="list-style-type: none"> ➤ Check the oil level and adjust as needed. ➤ Check the air filter and clean or replace if needed. ➤ You may be using the wrong oil—too light for the temperature. Refer to your Engine Owner’s Manual for detailed information. ➤ Clean the cooling fins if they’re dirty.
<p>Machine does not seem to have full chipping power.</p>	<ul style="list-style-type: none"> ➤ The belts may be too loose and slipping. Adjust or replace belts as needed.

EXPLOSION VIEW



#	DESCRIPTION	#	DESCRIPTION
1	FOUNDATION	18	IN-FEED
2	ROLLER	19	EMERGENCY STOP FIXATION
3	BLADE	20	RUBBER FIXATION
4	WHEEL AXIS	21	EMERGENCY STOP SWITCH
5	WHEEL	22	SPRING
6	PULLEY	23	RUBBER
7	BELT	24	SWITCH
8	BELT COVER	25	SWITCH COVER
9	CLUTCH	26	ANGLE BAR
10	BELT INNER COVER	27	IN-FEED EXTENSION
11	BEARING	28	HANDLE
12	BEARING FIXATION PLATE	29	SWITCH EXTENSION
13	SUPPORT FOOT	30	FLANGE
14	DISCHARGE CHUTE	31	LOWER BLADE
15	CHUTES ADJUST	32	FOOT RUBBER
16	ENGINE	33	BEARING COVER
17	ENGINE FIXATION PLATE	34	WHEEL PIN

ACKNOWLEDGEMENT OF RISK AND RELEASE OF LIABILITY

The use of any equipment, including this one, involves the potential risk of injury. Apart from any warranty claim that might be presented for a claimed defect in material or workmanship of the product, you accept and assume full responsibility for any and all injuries, damages (both economic and non-economic), and losses of any type, which may occur, and you fully and forever release and discharge Titan, its insurers, employees, officers, directors, associates, and agents from any and all claims, demands, damages, rights of action, or causes of action, present or future, whether the same be known or unknown, anticipated, or unanticipated, resulting from or arising out of the use of said equipment.

This equipment must be used with care by capable and competent individuals under supervision, if necessary.

TITAN LIMITED WARRANTY: TERMS, EXCLUSIONS AND LIMITATIONS OF REMEDIES

This product comes with a one (1) year limited warranty that can be found at www.palletforks.com/warranty.html. Please review the same for all details regarding the Titan Limited Warranty.

THE TITAN LIMITED WARRANTY FOUND AT WWW.PALLETFORKS.COM/WARRANTY.HTML IS EXCLUSIVE AND IS IN LIEU OF ALL OTHER WARRANTIES, EXPRESS OR IMPLIED, INCLUDING ANY IMPLIED WARRANTY OF MERCHANTABILITY AND/OR FITNESS FOR A PARTICULAR PURPOSE, EACH OF WHICH IS HEREBY DISCLAIMED.



NEED HELP? CONTACT US FIRST.

1-800-605-7595

info@palletworks.com
www.palletforks.com

© 2021 Titan Brands