

13W STAINLESS STEEL ROTISSERIE GRILL ROASTER WITH GLASS HOOD

35SPROWHv2
899069



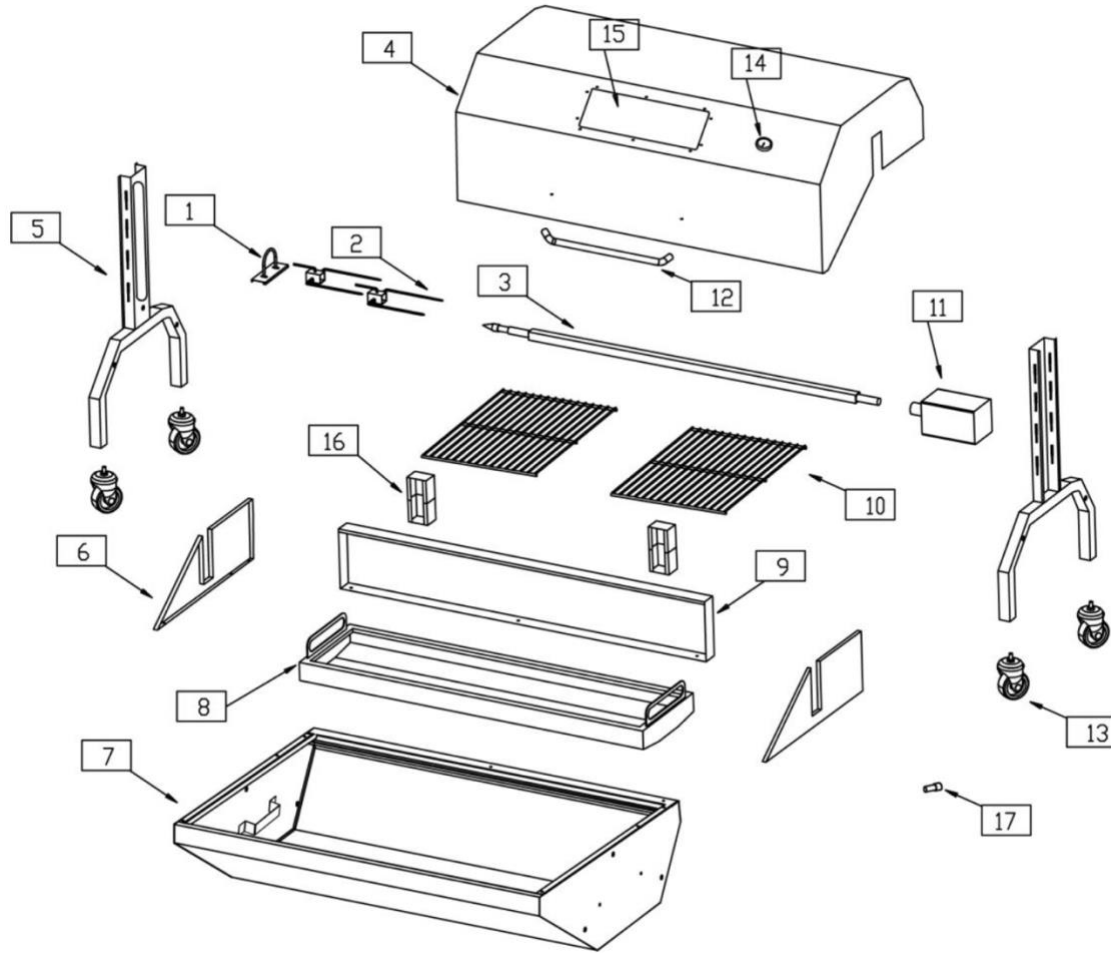
Operator's Manual



Read the Operator's Manual entirely. When you see this symbol, the subsequent instructions and warnings are serious follow without exception. Your life and the lives of others depend on it!

TITAN
GREAT OUTDOORS

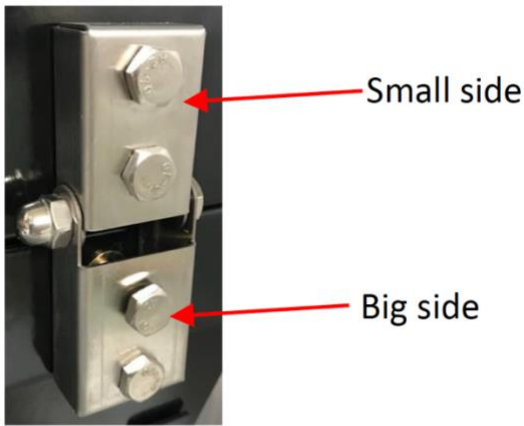
PARTS DIAGRAM / EXPLODED VIEW



KEY	DESCRIPTION	QTY	KEY	DESCRIPTION	QTY
(1)	SPINE HOOK	1	(10)	COOKING GRILL	2
(2)	FORK	2	(11)	13W MOTOR	1
(3)	SPIT ROD	1	(12)	HOOD HANDLE	1
(4)	HOOD	1	(13)	LOCKING CASTER	4
(5)	LEGS	2	(14)	TEMPERATURE GAUGE	1
(6)	SIDE PANEL (PRE-ASSEMBLED)	2	(15)	GLASS WINDOW	1
(7)	TROUGH	1	(16)	HOOD HINGE	2
(8)	CHARCOAL TRAY	1	(17)	BOLTS (6PC FOR LEGS, 8 PC FOR HOOD HINGE)	14
(9)	BACK PANEL (PRE-ASSEMBLED)	1			

ASSEMBLY INSTRUCTIONS

1. Screw LOCKING CASTERS (13) into the bottom of the LEGS (5).
2. Bolt the LEGS (5) onto the TROUGH (7) using the provided hardware and tool.
3. Set the CHARCOAL TRAY (8) into the slots inside of the TROUGH (7).
4. Place the COOKING GRILLS (10) in place on top of the TROUGH (7).
5. Install the HOOD HANDLE (12), GLASS WINDOW (15) and TEMPERATURE GAUGE (14) on the hood.
6. Bolt the HOOD HINGES (16) on the trough, bolt the HOOD (4) with the hood hinges. Ensure the small side of the hinge is on the hood, and the big side of the hinge is on the trough, see below picture.



7. Screw LOCKING CASTERS (13) into the bottom of the LEGS (5).
8. Bolt the LEGS (5) onto the TROUGH (7) using the provided hardware and tool.
9. Set the CHARCOAL TRAY (8) into the slots inside of the TROUGH (7).
10. Place the COOKING GRILLS (10) in place on top of the TROUGH (7).
11. Install the HOOD HANDLE (12), GLASS WINDOW (15) and TEMPERATURE GAUGE (14) on the hood.
12. Bolt the HOOD HINGES (16) on the trough, bolt the HOOD (4) with the hood hinges. Ensure the small side of the hinge is on the hood, and the big side of the hinge is on the trough, see below picture.
13. Slide the MOTOR (11) onto the upright of the leg.
14. Slide the FORK (2), SPINE HOOK (1) etc. accessories onto the SPIT ROD (3) and turn screws to tighten in place.
15. Install the SPIT ROD (3). Ensure the notch is locked onto the motor and slid all the way back.
16. Adjust the SPIT ROD (3) height using removable pins.

ACKNOWLEDGEMENT OF RISK AND RELEASE OF LIABILITY

The use of any equipment, including this one, involves the potential risk of injury. Apart from any warranty claim that might be presented for a claimed defect in material or workmanship of the product, you accept and assume full responsibility for any and all injuries, damages (both economic and non-economic), and losses of any type, which may occur, and you fully and forever release and discharge Titan, its insurers, employees, officers, directors, associates, and agents from any and all claims, demands, damages, rights of action, or causes of action, present or future, whether the same be known or unknown, anticipated, or unanticipated, resulting from or arising out of the use of said equipment.

This equipment must be used with care by capable and competent individuals under supervision, if necessary.

WARNING



Heavy object. Use lifting aids and proper lifting techniques when moving.



Choking hazard. Small parts – Please exercise caution if small children or pets are present.



Sharp objects may be involved. Use precaution and protection.

TITAN LIMITED WARRANTY: TERMS, EXCLUSIONS AND LIMITATIONS OF REMEDIES

This product comes with a one (1) year limited warranty that can be found at www.titangreatoutdoors.com/warranty.html. Please review the same for all details regarding the Titan Limited Warranty.

THE TITAN LIMITED WARRANTY FOUND AT WWW.TITANGREATOUTDOORS.COM/WARRANTY.HTML IS EXCLUSIVE AND IS IN LIEU OF ALL OTHER WARRANTIES, EXPRESS OR IMPLIED, INCLUDING ANY IMPLIED WARRANTY OF MERCHANTABILITY AND/OR FITNESS FOR A PARTICULAR PURPOSE, EACH OF WHICH IS HEREBY DISCLAIMED.



NEED HELP? CONTACT US FIRST.

1-888-794-1455

info@titangreatoutdoors.com
www.titangreatoutdoors.com

© 2021 Titan Brands