

ALUMINUM ATV STAND | STAND ONLY

ATVSTAND

332023



Operator's Manual

TITAN
RAMPS

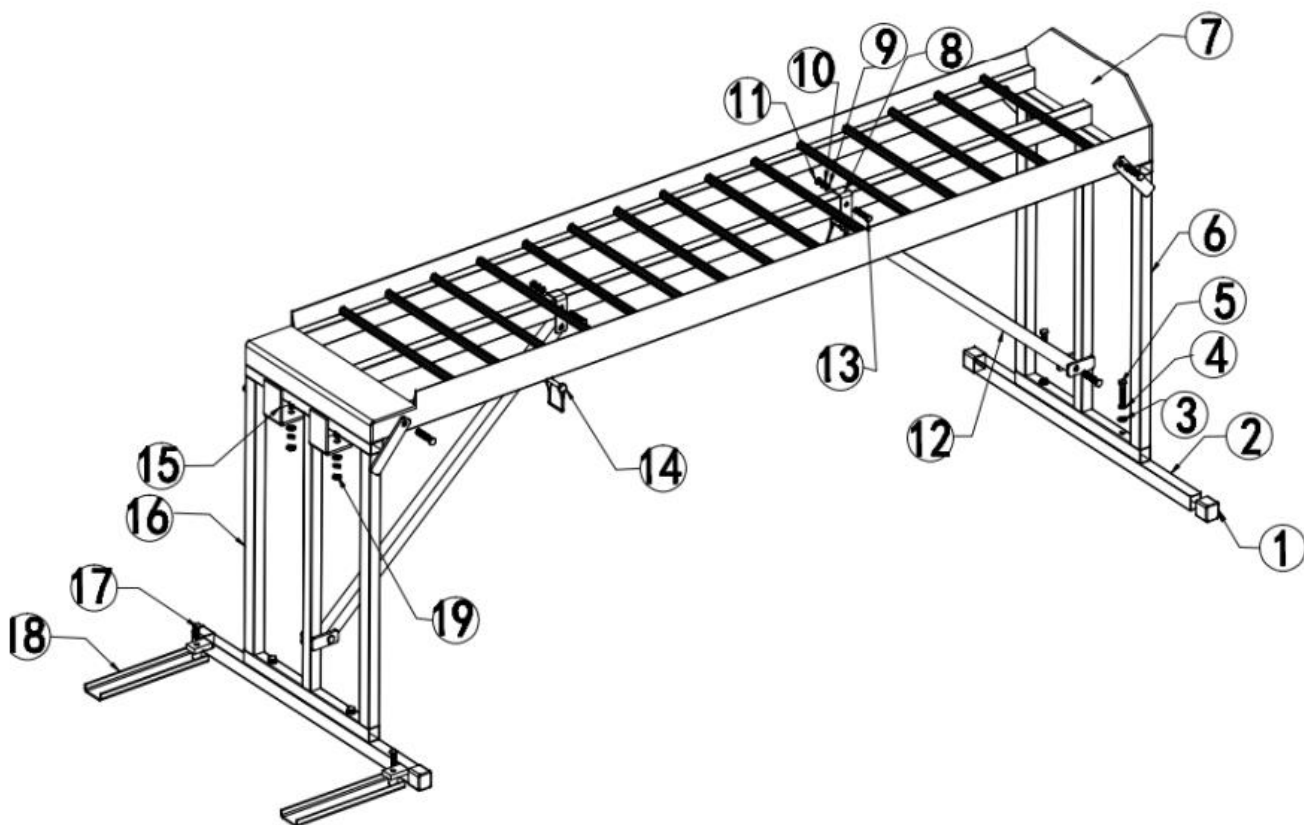


Read the Operator's Manual entirely. When you see this symbol, the subsequent instructions and warnings are serious follow without exception. Your life and the lives of others depend on it!

NOTE FROM TITAN

- It is the user's responsibility to read and follow all instructions.
- Always keep these instructions with the product and review before each use.
- It is the responsibility of this product's owner to furnish the instructions to any person that borrows or purchases the product.
- Inspect the product before use to ensure it is assembled properly and all parts are in safe working order and free of defects.
- Never modify this product in any way.
- All circumstances cannot be addressed in these instructions. Please use common sense and practice general safety measures when using this product.
- Parts and/or instructions are subject to change without notice

PARTS DIAGRAM / EXPLODED VIEW



KEY	DESCRIPTION	QTY	KEY	DESCRIPTION	QTY
(1)	END CAP	2	(11)	OUTER HEPTAGONAL NUT, M6	2
(2)	HORIZONTAL PIPE OF UPRIGHT POST	2	(12)	OBLIQUE SUPPORT	2
(3)	FLAT GASKET, M8	12	(13)	OUTER HEPTAGONAL BOLT, M6*40	2
(4)	SPRING WASHER, M8	12	(14)	U BOLT, M8*50	2
(5)	OUTER HEPTAGONAL BOLT, M8*45	12	(15)	ANTI-SKID FIXING BLOCK	2
(6)	REAR POST ASSEMBLY	1	(16)	REAR POST ASSEMBLY	1
(7)	STAND PLATFORM	1	(17)	OUTER HEPTAGONAL BOLT, M8*25	2
(8)	OBLIQUE SUPPORT U-SHAPE HOLD	2	(18)	REINFORCING FIXING BLOCK	2
(9)	FLAT GASKET, M6	2	(19)	OUTER HEPTAGONAL NUT, M8	8
(10)	SPRING WASHER, M6	2			

SAFETY INFORMATION

The Maximum Weight Capacity for this product is 2000 LB. Do not exceed the weight capacity.

ASSEMBLY INSTRUCTIONS

STEP 1: Take all parts out of packing box.

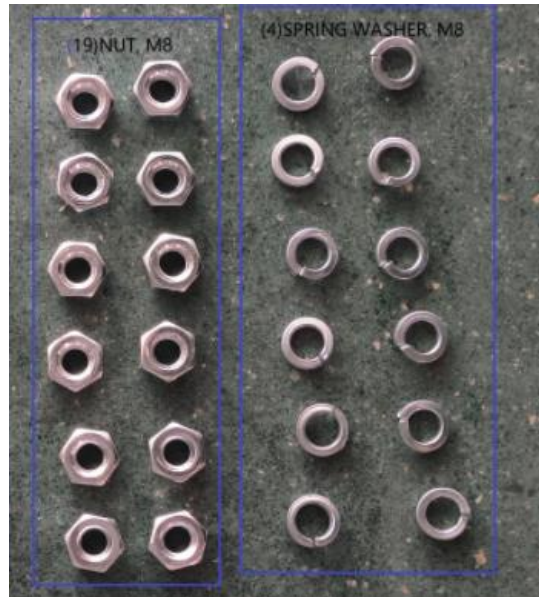
(2) HORIZONTAL POPE UPRIGHT POSTS

(12) OBLIQUE UPRIGHT

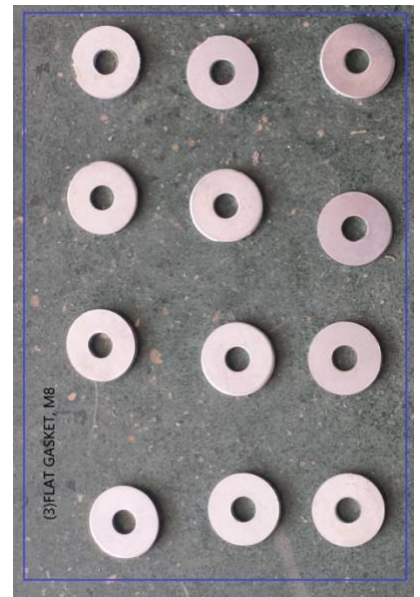
(16) REAR POST ASSEMBLY



(19) M8 NUT | (4) M8 SPRING WASHER



(3) M8 FLAT GASKET



(5) M8*45 BOLT | (13) M6*40 BOLT | (19) M8 NUT | (14) M8*50 U BOLT

(8) SUPPORT U-SHAPE HOLD | (15) ANTI-SKID FIXING BLOCK



(18) REINFORING FIXING PLATES



ASSEMBLY INSTRUCTIONS

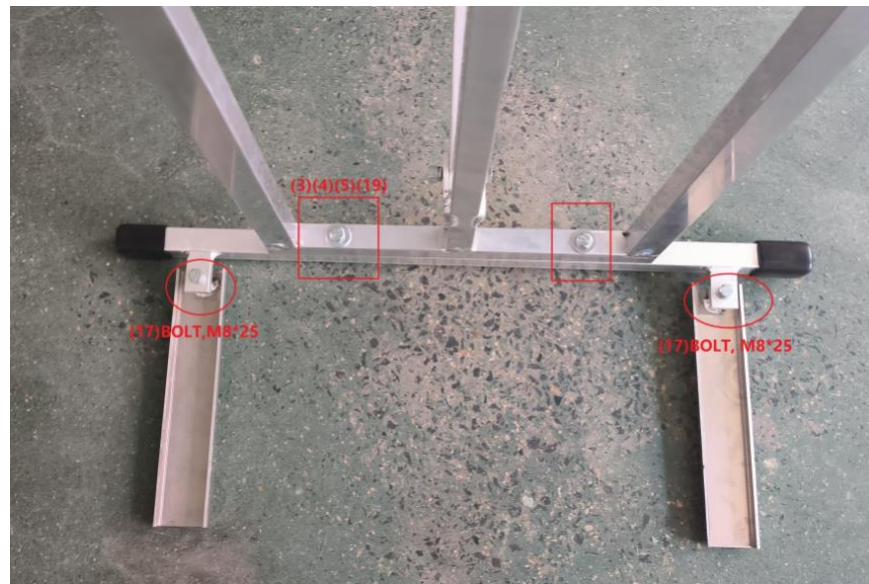
STEP 2: Place (2) on ground and screw (17) to fix (18)



STEP 3: Attach (16) with (2) using (19)(17)(3)(4)

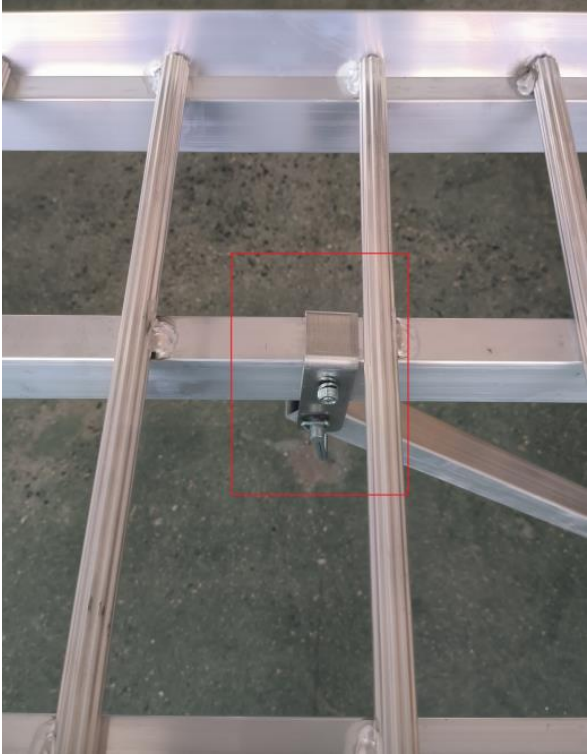
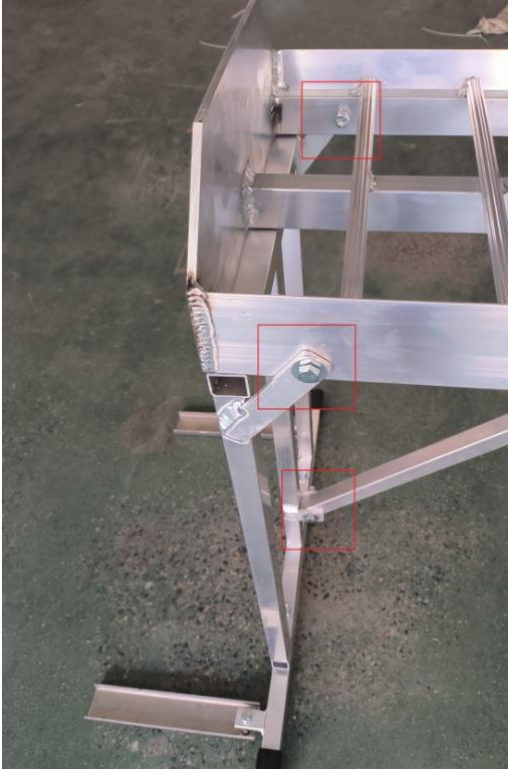


STEP 4: Fix (16) and (17) using (19)(17)(3)(4)



ASSEMBLY INSTRUCTIONS

STEP 5: Attach (12) to (17) by using (19)(17)(3)(4)(14)



ACKNOWLEDGEMENT OF RISK AND RELEASE OF LIABILITY

The use of any equipment, including this one, involves the potential risk of injury. Apart from any warranty claim that might be presented for a claimed defect in material or workmanship of the product, you accept and assume full responsibility for any and all injuries, damages (both economic and non-economic), and losses of any type, which may occur, and you fully and forever release and discharge Titan, its insurers, employees, officers, directors, associates, and agents from any and all claims, demands, damages, rights of action, or causes of action, present or future, whether the same be known or unknown, anticipated, or unanticipated, resulting from or arising out of the use of said equipment.

This equipment must be used with care by capable and competent individuals under supervision, if necessary.

TITAN LIMITED WARRANTY: TERMS, EXCLUSIONS AND LIMITATIONS OF REMEDIES

This product comes with a one (1) year limited warranty that can be found at www.titanramps.com/warranty.html. Please review the same for all details regarding the Titan Limited Warranty.

THE TITAN LIMITED WARRANTY FOUND AT [WWW.TITANRAMPS.COM/WARRANTY.HTML](http://www.titanramps.com/warranty.html) IS EXCLUSIVE AND IS IN LIEU OF ALL OTHER WARRANTIES, EXPRESS OR IMPLIED, INCLUDING ANY IMPLIED WARRANTY OF MERCHANTABILITY AND/OR FITNESS FOR A PARTICULAR PURPOSE, EACH OF WHICH IS HEREBY DISCLAIMED.



NEED HELP? CONTACT US FIRST.

1-800-605-7555

info@titanramps.com

www.titanramps.com

© 2021 Titan Brands