

ADJUSTABLE HEAVY BAG BOXING STAND

HDBOXSTND

400706

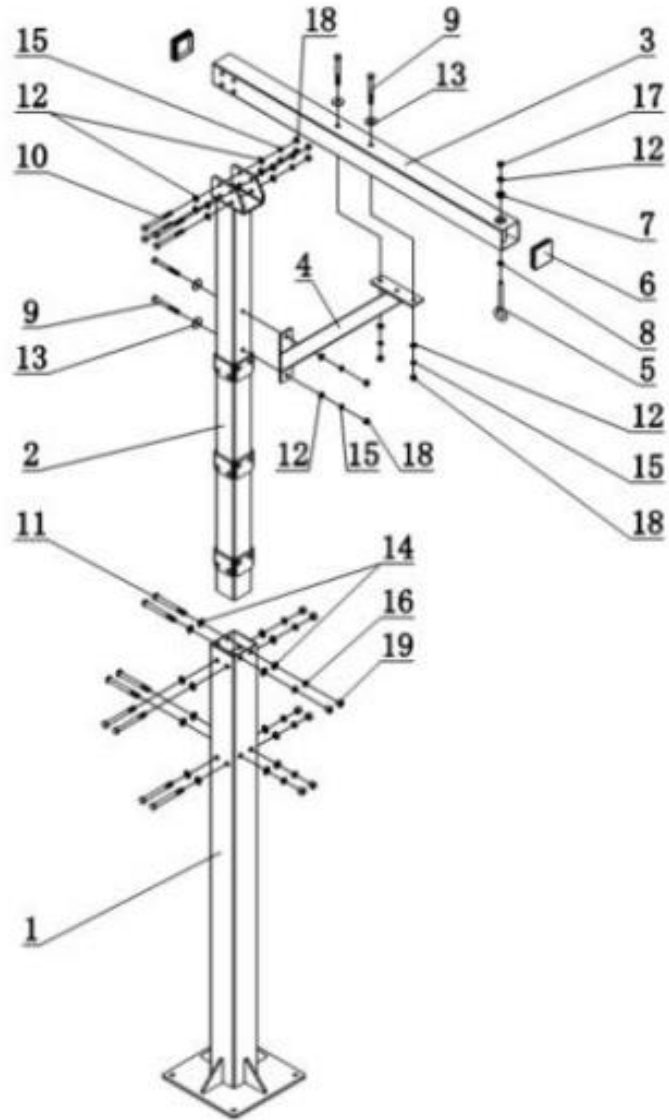


Operator's Manual



Read the Operator's Manual entirely. When you see this symbol, the subsequent instructions and warnings are serious follow without exception. Your life and the lives of others depend on it!

PARTS DIAGRAM / EXPLODED VIEW

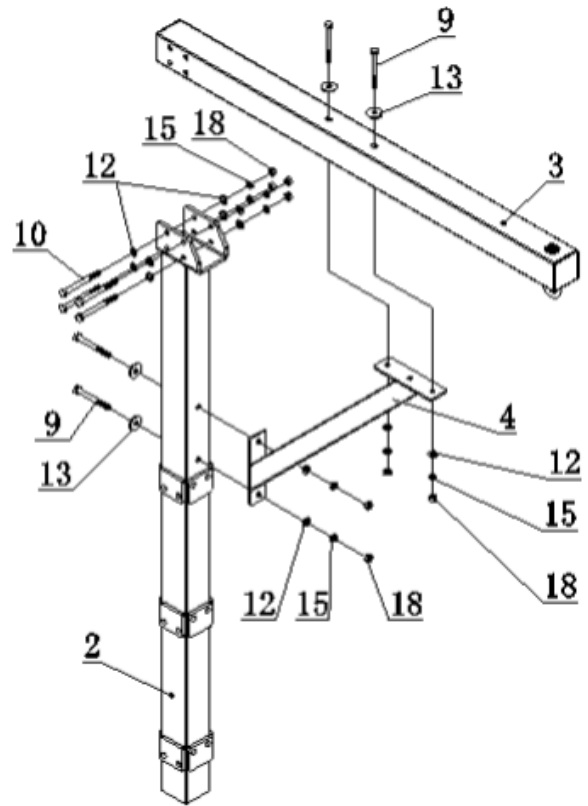


KEY	DESCRIPTION	QTY	KEY	DESCRIPTION	QTY
(1)	MAIN UPRIGHT FRAME		(11)	HEX BOLT M12*120	
(2)	TOP UPRIGHT FRAME		(12)	FLAT WASHER 11*20*2	
(3)	CROSS FRAME		(13)	FLAT WASHER 11*34*3	
(4)	STRENGTH PLATE		(14)	FLAT WASHER 13.5*24*2.5	
(5)	HOOK 10*136		(15)	SPRING WASHER 10	
(6)	SQUARE END CAP 75*2.5MM		(16)	SPRING WASHER 12	
(7)	BEARING 51100		(17)	NUT M10	
(8)	METAL BUSHING 18*14*10*6MM		(18)	FLAT NUT M10	
(9)	HEX BOLT M10*95		(19)	FLAT NUT M12	
(10)	HEX BOLT M10*110				

ASSEMBLY INSTRUCTIONS

NOTE: Before starting assembly, remove all parts and hardware from the carton, ensure you have everything according to the list.

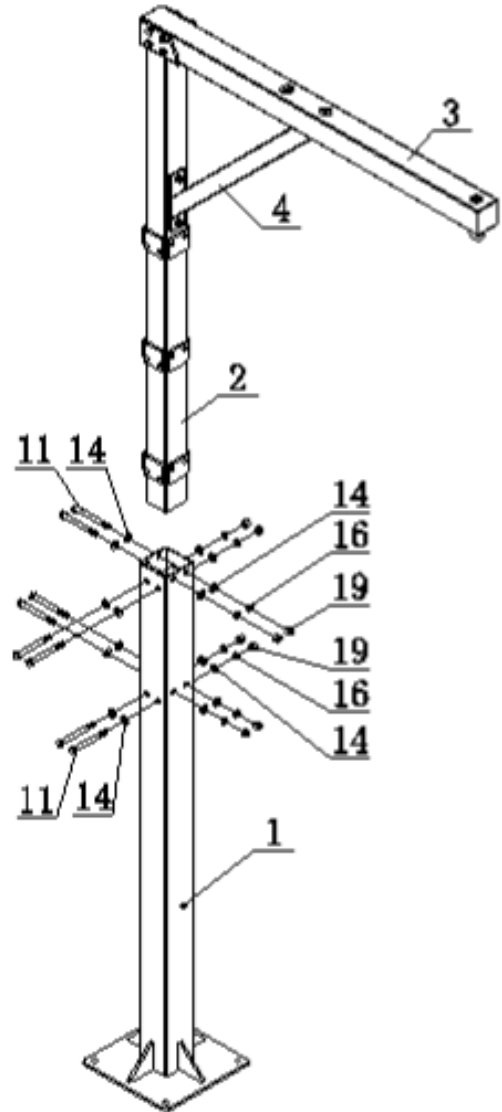
1. Install **CROSS FRAME (3)** to the **TOP UPRIGHT FRAME (2)** using **HEX BOLT M10*110 (10)**, **FLAT WASHER $\Phi 11*\Phi 20*2$ (12)**, **SPRING WASHER $\Phi 10$ (15)**, and **FLAT NUT M10 (18)**.
2. Install **STRENGTH PLATE (4)** to **CROSS FRAME (3)** and **TOP UPRIGHT FRAME (2)** using **HEX BOLT M10*95 (9)**, **FLAT WASHER $\Phi 11*\Phi 20*2$ (12)**, **FLAT WASHER $\Phi 11*\Phi 34*3$ (13)**, **SPRING WASHER $\Phi 10$ (15)**, and **FLAT NUT M10 (18)**.
3. **PLEASE TIGHTEN NUTS AND BOLTS.**



ASSEMBLY INSTRUCTIONS

4. Install assembly of cross **FRAME (3)**, **TOP UPRIGHT FRAME (2)**, and **STRENGTH PLATE (4)** to the main **UPRIGHT FRAME (1)** using **HEX BOLT M12*120 (11)**, **FLAT WASHER $\Phi 13.5 * \Phi 24 * 2.5$ (14)**, **SPRING WASHER $\Phi 12$ (16)**, and **FLAT NUT M12 (19)**.

5. PLEASE TIGHTEN NUTS AND BOLTS



ACKNOWLEDGEMENT OF RISK AND RELEASE OF LIABILITY

The use of any equipment, including this one, involves the potential risk of injury. Apart from any warranty claim that might be presented for a claimed defect in material or workmanship of the product, you accept and assume full responsibility for any and all injuries, damages (both economic and non-economic), and losses of any type, which may occur, and you fully and forever release and discharge Titan, its insurers, employees, officers, directors, associates, and agents from any and all claims, demands, damages, rights of action, or causes of action, present or future, whether the same be known or unknown, anticipated, or unanticipated, resulting from or arising out of the use of said equipment.

This equipment must be used with care by capable and competent individuals under supervision,

WARNING



Heavy object. Use lifting aids and proper lifting techniques when moving.



Choking hazard. Small parts – Please exercise caution if small children or pets are present.



Sharp objects may be involved. Use precaution and protection.

TITAN LIMITED WARRANTY: TERMS, EXCLUSIONS AND LIMITATIONS OF REMEDIES

This product comes with a one (1) year limited warranty that can be found at www.titan.fitness/warranty.html Please review the same for all details regarding the Titan Limited Warranty.

THE TITAN LIMITED WARRANTY FOUND AT WWW.TITAN.FITNESS/WARRANTY IS EXCLUSIVE AND IS IN LIEU OF ALL OTHER WARRANTIES, EXPRESS OR IMPLIED, INCLUDING ANY IMPLIED WARRANTY OF MERCHANTABILITY AND/OR FITNESS FOR A PARTICULAR PURPOSE, EACH OF WHICH IS HEREBY DISCLAIMED.



NEED HELP? CONTACT US FIRST.

1-888-410-1503

info@titan.fitness

www.titan.fitness

© 2021 Titan Brands