

SHORT WALL MOUNTED PULLEY TOWER

SHPULTWRv3

400811

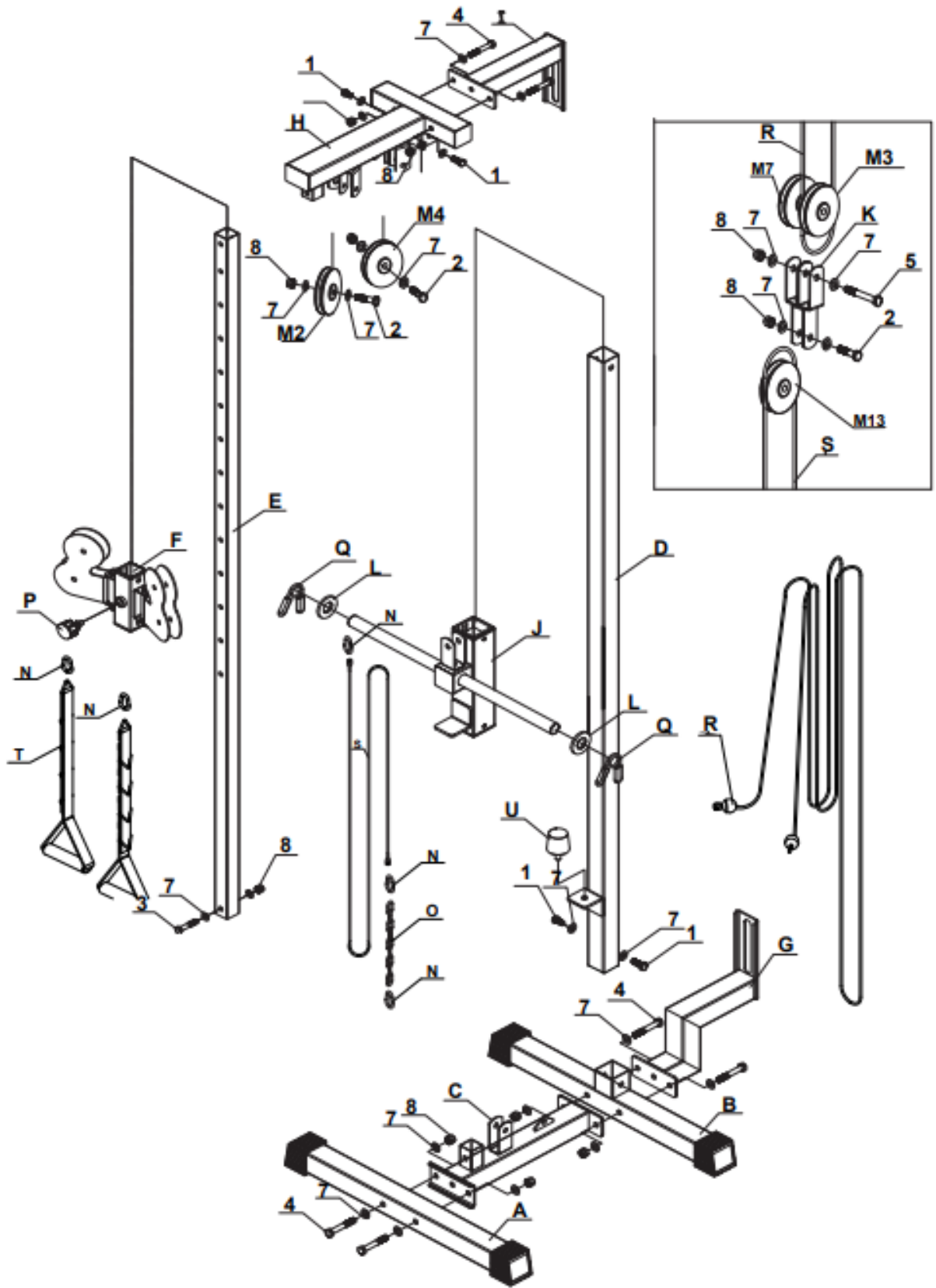


Operator's Manual








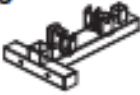









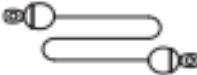
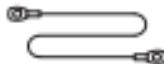





Read the Operator's Manual entirely. When you see this symbol, the subsequent instructions and warnings are serious follow without exception. Your life and the lives of others depend on it!









PARTS DIAGRAM / EXPLODED VIEW



PARTS LIST

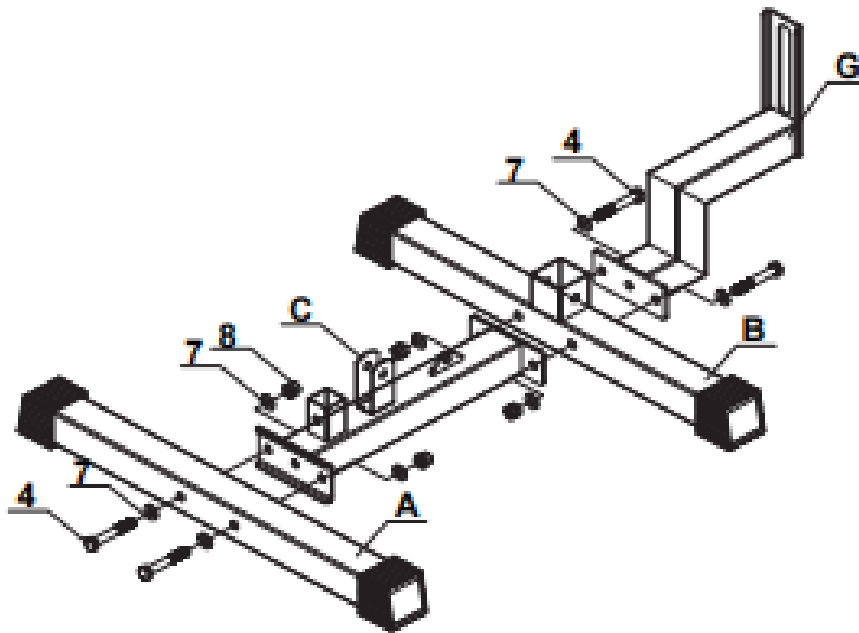
A Front Beam 1 PC 	B Rear Beam 1PC 	C Base Frame 1 PC 	D Guide Tube 1 PC 
E Front Upright 1 PC 	F Multi-Pulley Bracket 1PC 	G Lower Mounting Frame 1 PC 	H Upper Fixing Frame 1 PC 
I Upper Mounting Frame 1 PC 	J Weight Carriage 1PC 	K Movable Pulley Bracket 1 PC 	L Rubber Cushion 2 PCS 
M Pulley 13 PCS 	N Safety Hook 5PCS 	O Chain 1 PC 	P Knob 1 PC 
Q Spring Clip 2 PCS 	R Cable(Long) 1PC 	S Cable(Short) 1 PC 	T Drawstring 2 PCS 
U Rubber Bumper 1 PC 	V END COVER 4 PCS 		

HARDWARE LIST

1 BOLT(M10*20)  4 PCS	2 BOLT(M10*40)  11 PCS	3 BOLT(M10*50)  2 PCS	4 BOLT(M10*70)  6 PCS
5 BOLT(M10*75)  1 PC	6 BOLT(M12*100)  2 PCS	7 WASHER(M10)  44 PCS	8 NYLON NUT(M10)  20 PCS

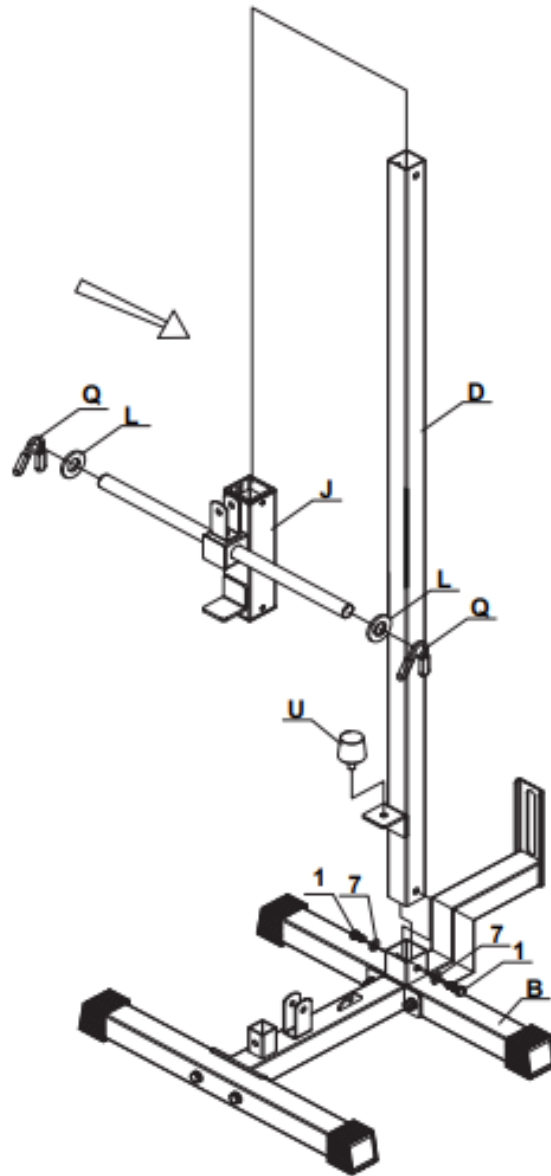
KEY	BOX	DESCRIPTION	QTY
A	1	Front Beam	1
B	1	Rear Beam	1
C	1	Base Frame	1
D	1	Guide Tube	1
E	1	Front Upright	1
F	1	Multi-Pulley bracket	1
G	1	Lower Mounting Frame	1
H	1	Upper Fixing Frame	1
I	1	Upper Mounting Frame	1
J	1	Weight Carriage	1
K	1	Movable Pulley Bracket	1
L	1	Rubber Cushion	2
M	1	Pulley	13
N	1	Safety Hook	5
O	1	Chain	1
P	1	Knob	1
Q	1	Spring Clip	2
R	1	Cable(Long)	1
S	1	Cable(short)	1
T	1	Drawstring	2
U	1	Rubber Bumper	1
V	1	END COVER	4
1	1	M10x20mm Bolt	4
2	1	M10 x 45mm Bolt	11
3	1	M10 x 50mm Bolt	2
4	1	M10 x 70mm Bolt	6
5	1	M10 x 75mm Bolt	1
6	1	M12 x 100mm Bolt	2
7	1	M10 Washer	44
8	1	M10 Nylon Locknut	20

STEP 1



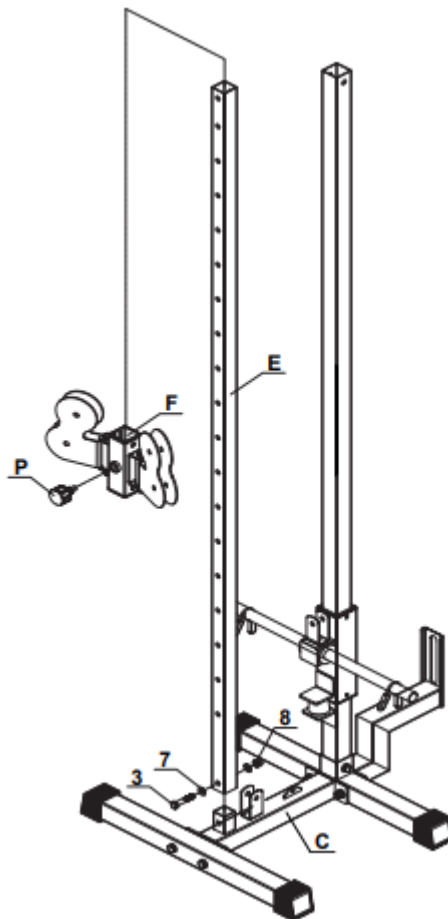
1. Push the **END COVER (V)** onto the end of **FRONT BEAM (A)** and the end of **REAR BEAM (B)**.
2. Assemble the **BASE FRAME (C)**, **FRONT BEAM (A)**, **REAR BEAM (B)** and **LOWER MOUNTING FRAME (G)** using **BOLT M10x70 (4)**, **WASHER M10 (7)** and **NYLON NUT M10 (8)**.

STEP 2



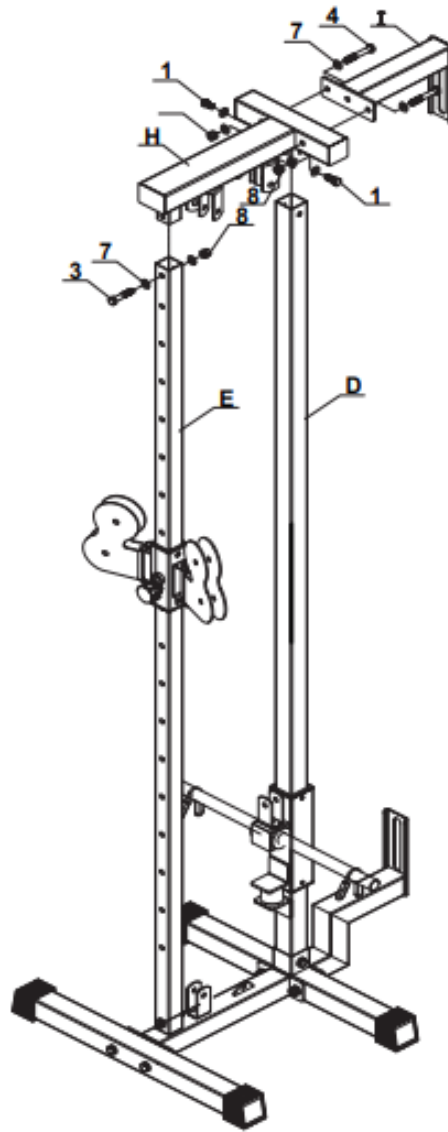
1. Attach the **GUIDE TUBE (D)** to the **REAR BEAM (B)** using **BOLT M10x20 (1)** and **WASHER M10 (7)**.
2. Screw the **RUBBER BUMPER (U)** ON the **GUIDE TUBE (D)**, Slide the **WEIGHT CARRIAGE (J)** on the **GUIDE TUBE (D)**.
3. Slide the **RUBBER CUSHION(L)** and **SPRING CLIP (Q)** onto the rod of **WEIGHT CARRIAGE (J)**.

STEP 3



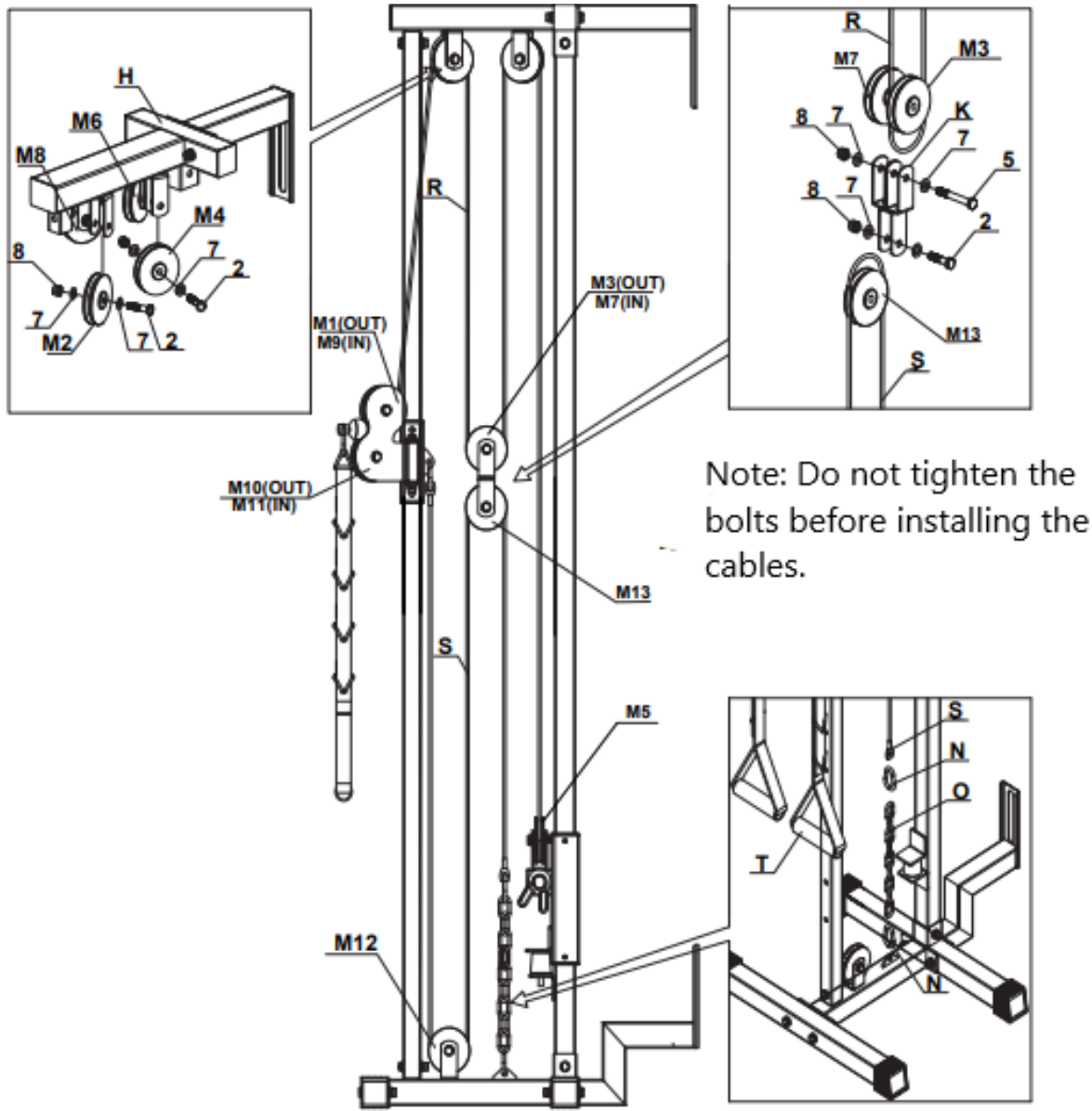
1. Attach the **FRONT UPRIGHT (E)** to the **BASE FRAME (C)** using **BOLT M10x50 (3)**, **WASHER M10 (7)** and **NYLON NUT M10 (8)**.
2. Slide the **MULTI-PULLEY BRACKET (F)** onto **FRONT UPRIGHT (E)**, screw the **KNOB (P)** into the **MULTI-PULLEY BRACKET(F)**.

STEP 4



1. Assemble the **UPPER FIXING FRAME (H)** to the **FRONT UPRIGHT (E)** using **BOLT M10x50 (3)**, **WASHER M10 (7)** and **NYLON NUT M10 (8)**.
2. Assemble the **UPPER FIXING FRAME (H)** to the **GUIDE TUBE (D)** using **BOLT M10x20 (1)** and **WASHER M10 (7)**.
3. Assemble the **UPPER MOUNTING FRAME (I)** to the **UPPER FIXING FRAME (H)** using **BOLT M10x70 (4)**, **WASHER M10 (7)** and **NYLON NUT M10 (8)**.

STEP 5

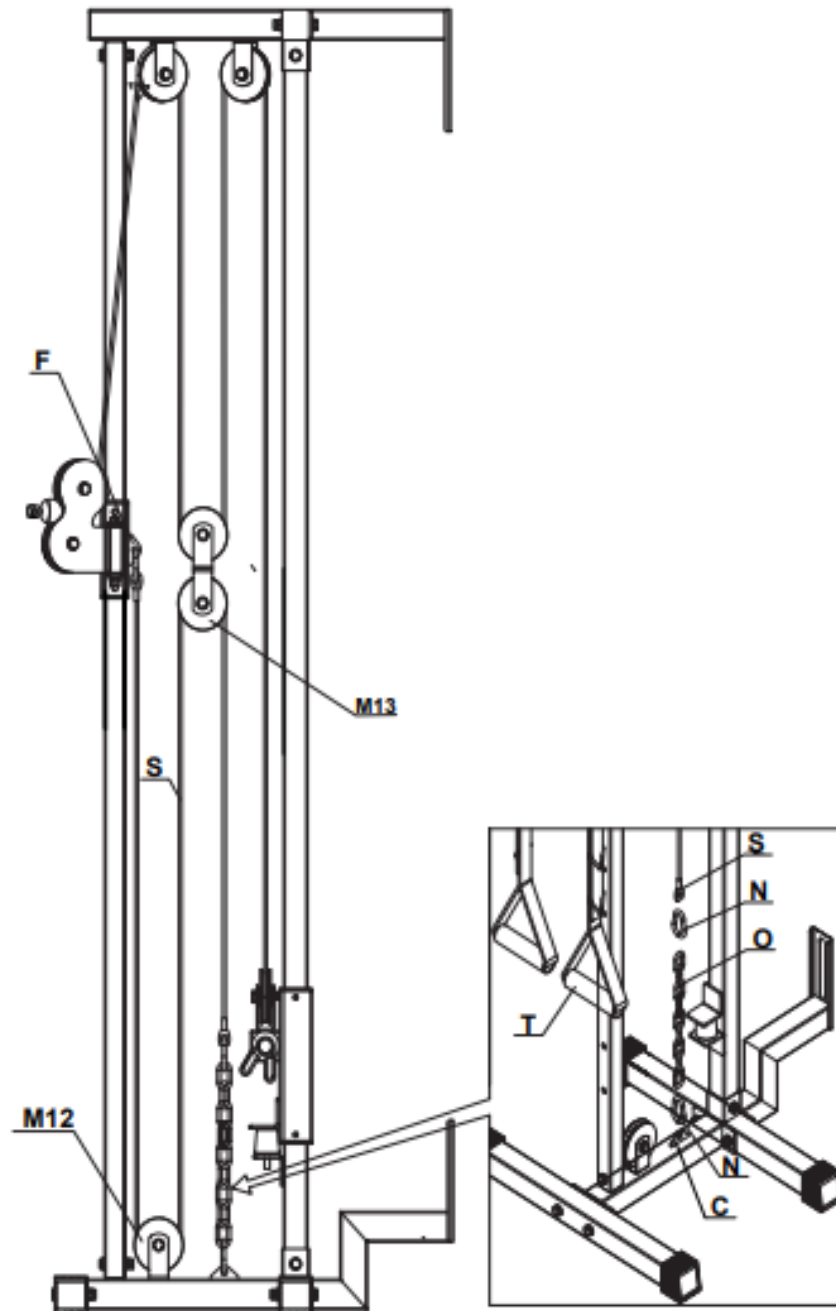


Note: Do not tighten the bolts before installing the cables.

1. Assemble two pcs **PULLEY (M3/M7)** to the **MOVABLE PULLEY BRACKET (K)** using **BOLT M10x75 (5)**, **WASHER M10 (7)** and **NYLON NUT M10 (8)**.
2. Assemble the other 11 pcs **PULLEY (M1~M13, EXCEPT M3 & M7)** to its own **BRACKET (K)** using **BOLT M10x45 (2)**, **WASHER M10 (7)** and **NYLON NUT M10 (8)**.

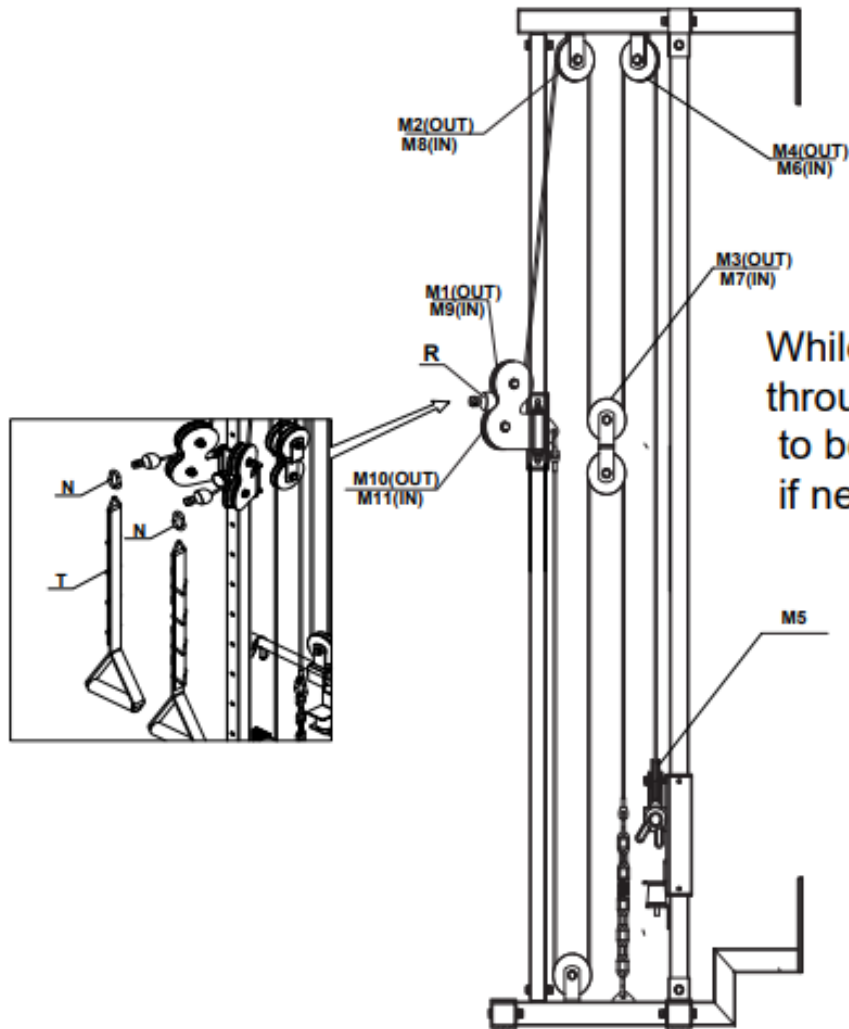
ASSEMBLY POSITION IS SHOWN IN THE FIGURE ABOVE.

STEP 6



1. Fix the **CABLE (S)** to the **MULTI-PULLEY BRACKET (F)** using **SAFETY HOOK (N)**, insert it through the below of **PULLEY (M12)**, through the above of **PULLEY (M13)**, then fix the other end of **CABLE (S)** to the **BASE FRAME (C)** using the **SAFETY HOOK (N)** and the **CHAIN (O)**.

STEP 7



TIPS

While passing the **CABLE(R)** through each pulley, it needs to be removed and reinstalled if necessary.

1. Install the **CABLE (LONG) (R)** in the following route: Pass through the **PULLEY(M1&M10)**, above **M2**, below **M3**, above **M4**, below **M5** (from the same side), above **M6**, below **M7**, above **M8**, finally pass through **M9 & M11**.
2. Attach the **DRAWSTRING (T)** to the end of **CABLE (LONG)(R)** using the **SAFETY HOOK (N)**.

ATTENTION: PLEASE MAKE SURE ALL THE CABLES BE PUT IN THE GROOVE OF PULLEY AND TIGHTEN ALL NUT-AND-BOLT COMBINATIONS BEFORE USE.

ACKNOWLEDGEMENT OF RISK AND RELEASE OF LIABILITY

The use of any equipment, including this one, involves the potential risk of injury. Apart from any warranty claim that might be presented for a claimed defect in material or workmanship of the product, you accept and assume full responsibility for any and all injuries, damages (both economic and non-economic), and losses of any type, which may occur, and you fully and forever release and discharge Titan, its insurers, employees, officers, directors, associates, and agents from any and all claims, demands, damages, rights of action, or causes of action, present or future, whether the same be known or unknown, anticipated, or unanticipated, resulting from or arising out of the use of said equipment.

This equipment must be used with care by capable and competent individuals under supervision,

WARNING



Heavy object. Use lifting aids and proper lifting techniques when moving.



Choking hazard. Small parts – Please exercise caution if small children or pets are present.



Sharp objects may be involved. Use precaution and protection.

TITAN LIMITED WARRANTY: TERMS, EXCLUSIONS AND LIMITATIONS OF REMEDIES

This product comes with a one (1) year limited warranty that can be found at www.titan.fitness/warranty.html Please review the same for all details regarding the Titan Limited Warranty.

THE TITAN LIMITED WARRANTY FOUND AT WWW.TITAN.FITNESS/WARRANTY IS EXCLUSIVE AND IS IN LIEU OF ALL OTHER WARRANTIES, EXPRESS OR IMPLIED, INCLUDING ANY IMPLIED WARRANTY OF MERCHANTABILITY AND/OR FITNESS FOR A PARTICULAR PURPOSE, EACH OF WHICH IS HEREBY DISCLAIMED.



NEED HELP? CONTACT US FIRST.

1-888-410-1503

info@titan.fitness

www.titan.fitness

© 2021 Titan Brands