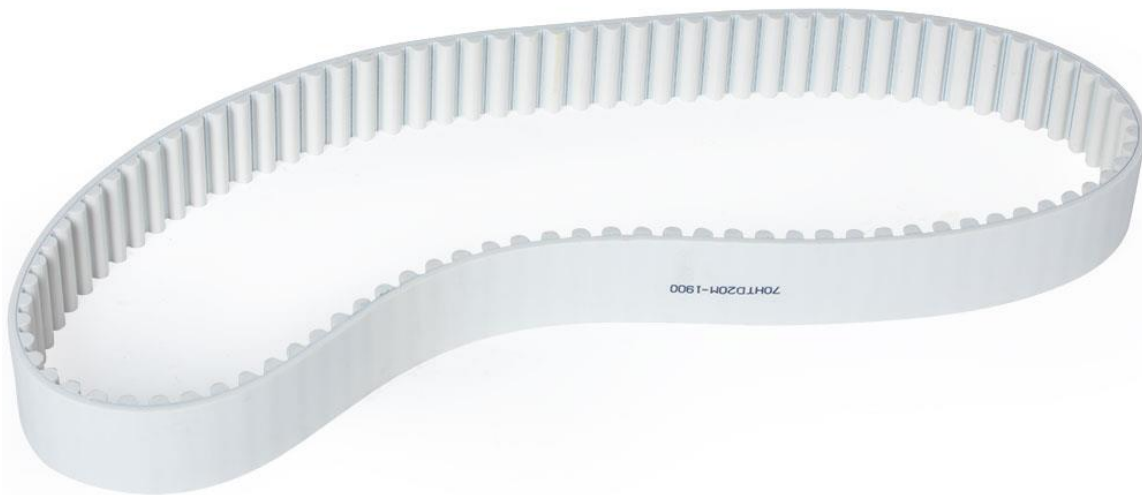


# BELT FOR MULCHER

---

**MULCHBELT**

**191626**



## Operator's Manual



Read the Operator's Manual entirely. When you see this symbol, the subsequent instructions and warnings are serious follow without exception. Your life and the lives of others depend on it!

## PARTS DIAGRAM/EXPLODED VIEW

---

KEY	BOX	DESCRIPTION	QTY
(1)	1	SYNCHRONOUS BELT FOR MULCHER	1

## ASSEMBLY INSTRUCTIONS

---

### MAINTENANCE:

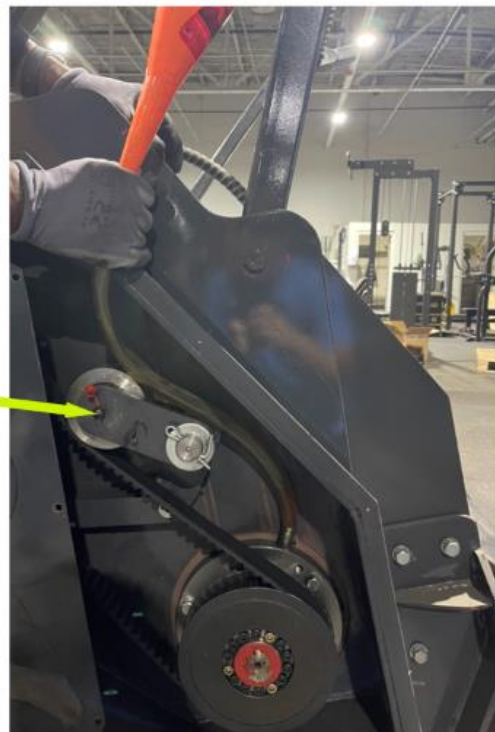
1. Routine Inspections:
  - a. Check hoses and fittings daily for leaks.
  - b. Inspect unit for any contamination build up and keep unit clean.
  - c. Check teeth every 2 hours of use; unit life will last longer if teeth are kept in good condition and replaced as needed.

### CHECK BELT TENSION:

2. Inspect belt for wear, damage, and proper tension.
3. Adjust idler to set belt tension.
4. Replace damaged/worn teeth.
5. Grease and oil points:
  - a. Add grease to Belt Pulley Grease Point
  - b. Add oil to Drum Bearing Access Point
  - c. Add oil to Motor Access Point.

### BELT PULLEY GREASE POINT

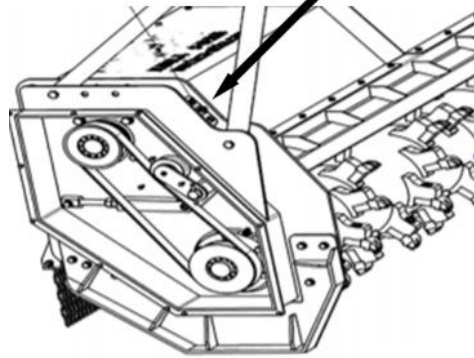
Belt Pulley Grease Point



## DRUM BEARING ACCESS POINT

1. Remove plug and breather.
2. Fill with gear oil until there is oil coming from fill level hole (85W/90GL-5).
3. Replace plug and breather.

Drum Bearing Access Point



Drum Bearing Access Point

Oil Hose/Entry

Oil Drain

## **ACKNOWLEDGEMENT OF RISK AND RELEASE OF LIABILITY**

---

The use of any equipment, including this one, involves the potential risk of injury. Apart from any warranty claim that might be presented for a claimed defect in material or workmanship of the product, you accept and assume full responsibility for any and all injuries, damages (both economic and non-economic), and losses of any type, which may occur, and you fully and forever release and discharge Titan, its insurers, employees, officers, directors, associates, and agents from any and all claims, demands, damages, rights of action, or causes of action, present or future, whether the same be known or unknown, anticipated, or unanticipated, resulting from or arising out of the use of said equipment.

This equipment must be used with care by capable and competent individuals under supervision, if necessary.

## **TITAN LIMITED WARRANTY: TERMS, EXCLUSIONS AND LIMITATIONS OF REMEDIES**

---

This product comes with a one (1) year limited warranty that can be found at [www.palletforks.com/warranty.html](http://www.palletforks.com/warranty.html). Please review the same for all details regarding the Titan Limited Warranty.

**THE TITAN LIMITED WARRANTY FOUND AT [WWW.PALLETFORKS.COM/WARRANTY.HTML](http://WWW.PALLETFORKS.COM/WARRANTY.HTML) IS EXCLUSIVE AND IS IN LIEU OF ALL OTHER WARRANTIES, EXPRESS OR IMPLIED, INCLUDING ANY IMPLIED WARRANTY OF MERCHANTABILITY AND/OR FITNESS FOR A PARTICULAR PURPOSE, EACH OF WHICH IS HEREBY DISCLAIMED.**



**NEED HELP? CONTACT US FIRST.**

**1-800-605-7595**

[info@palletworks.com](mailto:info@palletworks.com)  
[www.palletforks.com](http://www.palletforks.com)

© 2021 Titan Brands