

# WHEELCHAIR ENTRY RAMP

---

WCER6\_H-WCER6\_R, 48WCER6\_R - WCER6\_H, WCER8\_H-WCER8\_R,  
WCER9.5\_H-WCER9.5\_R, WCER6\_R, 48WCER6\_R, WCER8\_R,  
WCER9.5\_R, WCER6\_H, WCER8\_H, WCER9.5\_H  
323916, 323321, 323918, 323324, 323306, 323320, 323308, 323310,  
323316, 323318, 323325



## Operator's Manual



Read the Operator's Manual entirely. When you see this symbol, the subsequent instructions and warnings are serious follow without exception. Your life and the lives of others depend on it!

## NOTES AND WARNING FROM TITAN

---

- **RATED LOAD: 850 lb. NEVER EXCEED THIS LOAD.**
- Ensure supporting surfaces can support a minimum of 850 lb.
- Ensure top lip transition plate is secured to a structurally sufficient supporting surface
- Ensure both top and bottom transition plates are properly supported on flat, stable surfaces
- Do not use if ice, snow, wet leaves and/or other debris are present
- Use extreme caution when wet
- If any part of the ramp is defective, unstable, or damaged do not use
- Do not run, jump, or play on the ramp
- Ramp and handrails can get hot when exposed to direct sunlight or high weather temperatures. Touch with caution.
- Do not use near live wiring, the ramp can conduct electricity

## RAMPS PARTS DIAGRAM / EXPLODED VIEW

---

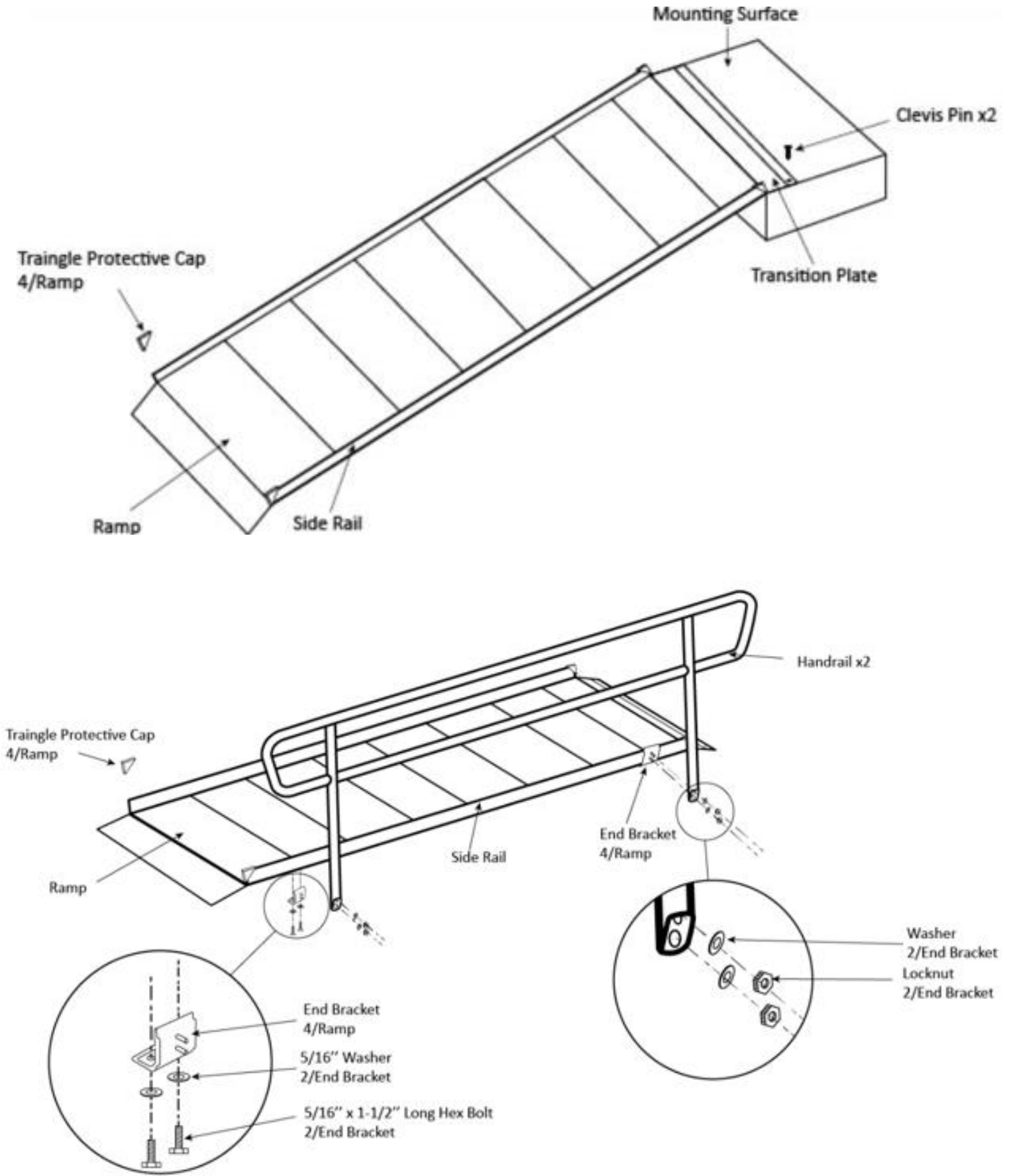
KEY	DESCRIPTION	QTY
(1)	RAMP	1
(2)	PIN	2
(3)	PROTECTIVE SHEET	2

## HANDRAIL PARTS DIAGRAM / EXPLODED VIEW

---

KEY	DESCRIPTION	QTY
(1)	HANDRAIL	2
(2)	END BRACKET	4
(3)	WASHER	16
(4)	STUDS IN END BRACKET	8
(5)	LOCKNUT IN END BRACKET	8
(6)	LONG HEX BOLT	8
(7)	TRIANGLE PROTECTIVE CAP	4
(8)	CLEVIS PIN	2

# PARTS DIAGRAM / EXPLODED VIEW



## ASSEMBLY INSTRUCTIONS

---

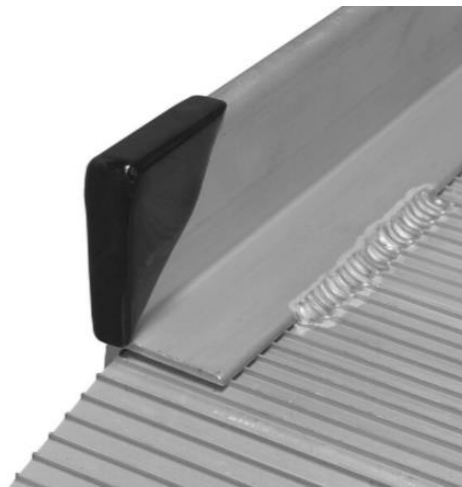
### TOOLS FOR ASSEMBLY:

- ½" socket or ½" wrench
- ¼" drill bit
- Rubber mallet
- Drill

### ATTACHING THE RAMP TO THE SUPPORTING SURFACE

The ramp's top lip transition plate must be fastened to the supporting surface before use. If you purchased handrails, install the end brackets on the ramp before fastening the ramp to the supporting surface.

- Place the ramp's top lip transition plate so it extends onto the supporting surface as far as possible.
- Wood installation: Fasten top lip transition plate by installing one ¼"x1" long self-drilling, stainless steel wood screw (not provided by Titan) through each hole.
- Concrete installation: Use a ¼" masonry bit, drill two holes aligned with transition plate. Align the top lip transition plate over the drilled holes. Install ¼"x1½" pin drive concrete anchors (not provided by Titan) into the holes of the upper transition per the pin drive concrete anchor manufacturer's instructions.
- Install the triangle protective caps on the rail corners both the top and bottom ends of the ramp. Apply adhesive to secure the cap to the ramp if necessary.



### INSTALLING THE RAMP HANDRAILS

- Turn the ramp section upside down to begin installation of brackets.
- Install the end brackets at each end of the ramp on the outside corners using the provided hex bolts and washers in the threaded holes. The upper lip of the end bracket should extend into the groove under the ramp side rail.
- Flip the ramp over and fasten the ramp to the landing prior to installing the ramp handrails. Refer to the steps in the section above for attaching ramp to landing.
- The handrail posts each have holes that align with the studs on the end brackets.
- Attach handrails to these studs using two washers and locknuts provided.

**THE BELOW INFORMATION IS MERELY A GUIDE, ALWAYS REFER TO YOUR WHEELCHAIR MANUAL FOR MAXIMUM INCLINES.**

**MAXIMUM \*OCCUPIED/\*\*UNOCCUPIED HEIGHT LIMIT TO GROUND LEVEL:**

- 6 FT Ramp: Occupied loading: 12-in maximum, unoccupied loading height: 18-in.
- 8 FT Ramp: Occupied loading: 16-in maximum, unoccupied loading height: 24-in.
- 10 FT Ramp: Occupied loading: 20-in maximum, unoccupied loading height: 30-in.

\*Occupied is a person sitting in the wheelchair/scooter while loading  
(2:12 slope or 9.6-degree angle)

\*\*Unoccupied is loading with nobody sitting in the wheelchair/scooter  
(3:12 slope or 14.5-degree angle)

**MAXIMUM WEIGHT CAPACITY IS 850 LB**

(WEIGHT RATING IS BASED ON EVENLY DISTRIBUTED LOAD ON 2 AXLES)

## ACKNOWLEDGEMENT OF RISK AND RELEASE OF LIABILITY

---

The use of any equipment, including this one, involves the potential risk of injury. Apart from any warranty claim that might be presented for a claimed defect in material or workmanship of the product, you accept and assume full responsibility for any and all injuries, damages (both economic and non-economic), and losses of any type, which may occur, and you fully and forever release and discharge Titan, its insurers, employees, officers, directors, associates, and agents from any and all claims, demands, damages, rights of action, or causes of action, present or future, whether the same be known or unknown, anticipated, or unanticipated, resulting from or arising out of the use of said equipment.

This equipment must be used with care by capable and competent individuals under supervision, if necessary.

## WARNING

---



Heavy object. Use lifting aids and proper lifting techniques when moving.



Choking hazard. Small parts – Please exercise caution if small children or pets are present.



Sharp objects may be involved. Use precaution and protection.

## TITAN LIMITED WARRANTY: TERMS, EXCLUSIONS AND LIMITATIONS OF REMEDIES

---

This product comes with a one (1) year limited warranty that can be found at [www.titanramps.com/warranty.html](http://www.titanramps.com/warranty.html). Please review the same for all details regarding the Titan Limited Warranty.

**THE TITAN LIMITED WARRANTY FOUND AT [WWW.TITANRAMPS.COM/WARRANTY.HTML](http://WWW.TITANRAMPS.COM/WARRANTY.HTML) IS EXCLUSIVE AND IS IN LIEU OF ALL OTHER WARRANTIES, EXPRESS OR IMPLIED, INCLUDING ANY IMPLIED WARRANTY OF MERCHANTABILITY AND/OR FITNESS FOR A PARTICULAR PURPOSE, EACH OF WHICH IS HEREBY DISCLAIMED.**



**NEED HELP? CONTACT US FIRST.**

**1-800-605-7555**

[info@titanramps.com](mailto:info@titanramps.com)

[www.titanramps.com](http://www.titanramps.com)

© 2021 Titan Brands