

PINE STRAW NEEDLE RAKE

PRAKE4, PRAKE5, PRAKE6

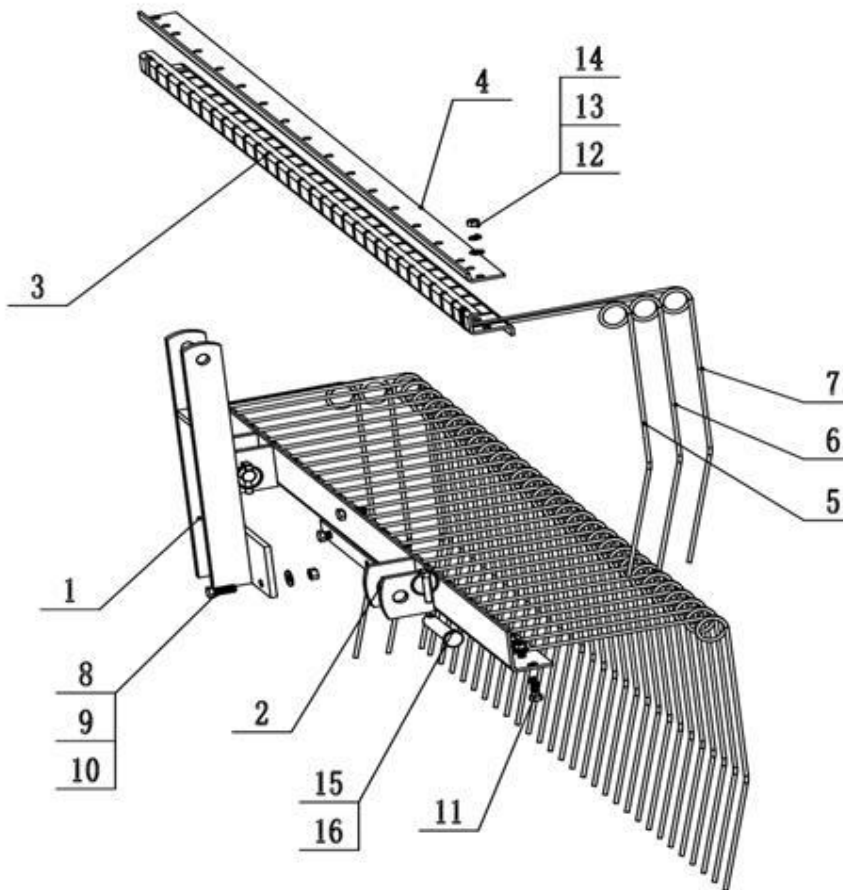
191339, 191321, 191322



Operator's Manual

Read the Operator's Manual entirely. When you see this symbol, the subsequent instructions and warnings are serious follow without exception. Your life and the lives of others depend on it!

PARTS DIAGRAM / EXPLODED VIEW



| INDEX | DESCRIPTION | QUANTITY |
|-------|-------------------------|----------|
| 1 | A-FRAME | 1 |
| 2 | MAIN FRAME | 1 |
| 3 | TINE BAR | 1 |
| 4 | TINE SUPPORT | 1 |
| 5 | SPRING TINE 3 | 2 |
| 6 | SPRING TINE 2 | 2 |
| 7 | SPRING TINE 1 | 24/30/36 |
| 8 | BOLT M12*40 | 3 |
| 9 | FLAT WASHER Φ 12 | 3 |
| 10 | LOCK NUT M12 | 3 |
| 11 | BOLT M10*35 | 15/18/21 |
| 12 | FLAT WASHER Φ 10 | 15/18/21 |
| 13 | SPRING WASHER Φ 10 | 15/18/21 |
| 14 | NUT M10 | 15/18/21 |
| 15 | PIN | 2 |
| 16 | LOCK PIN | 2 |

ASSEMBLY INSTRUCTIONS

1. Place the MAIN FRAME (2) on the edge of an elevated surface, so the tines will be able to hang off the side of the surface.
2. Set the TINE BAR (3) on top of the MAIN FRAME (2).
3. Hook a SPRING TINE 3 (5), SPRING TINE 2 (6), and SPRING TINE 1 (7) through the end spaces of the TINE BAR (3) that have room for three tines. On each end space, make sure the SPRING TINE 3 (5) is the outermost tine and the SPRING TINE 1 (7) is the innermost tine.
4. Hook a single SPRING TINE 1 (7) through each of the remaining spaces of the TINE BAR (3).
5. Once all tines are in the TINE BAR (3), place the TINE SUPPORT (4) on top of the TINE BAR (3) and secure the MAIN FRAME (2), TINE BAR (3), and TINE SUPPORT (4) with M10 NUTS (14), Φ 10 SPRING WASHERS (13), Φ 10 FLAT WASHERS (12), and M10x35 BOLTS (11).
6. Secure the A-FRAME (1) to the MAIN FRAME (2) with M12x35 BOLTS (8), Φ 12 FLAT WASHERS (9), and M12 LOCK NUTS (10).

ACKNOWLEDGEMENT OF RISK AND RELEASE OF LIABILITY

The use of any equipment, including this one, involves the potential risk of injury. Apart from any warranty claim that might be presented for a claimed defect in material or workmanship of the product, you accept and assume full responsibility for any and all injuries, damages (both economic and non-economic), and losses of any type, which may occur, and you fully and forever release and discharge Titan, its insurers, employees, officers, directors, associates, and agents from any and all claims, demands, damages, rights of action, or causes of action, present or future, whether the same be known or unknown, anticipated, or unanticipated, resulting from or arising out of the use of said equipment.

This equipment must be used with care by capable and competent individuals under supervision, if necessary.

WARNING



Do not overfill! Mower should be level when checking oil in gear box.



some activities might be able to cause electric shock



Sharp objects may be involved.
Use protective cover during maintenance.

TITAN LIMITED WARRANTY: TERMS, EXCLUSIONS AND LIMITATIONS OF REMEDIES

This product comes with a one (1) year limited warranty that can be found at www.palletforks.com/warranty.html. Please review the same for all details regarding the Titan Limited Warranty.

THE TITAN LIMITED WARRANTY FOUND AT WWW.PALLETFORKS.COM/WARRANTY.HTML IS EXCLUSIVE AND IS IN LIEU OF ALL OTHER WARRANTIES, EXPRESS OR IMPLIED, INCLUDING ANY IMPLIED WARRANTY OF MERCHANTABILITY AND/OR FITNESS FOR A PARTICULAR PURPOSE, EACH OF WHICH IS HEREBY DISCLAIMED.



NEED HELP? CONTACT US FIRST.

1-800-605-7595

info@palletworks.com
www.palletforks.com

© 2021 Titan Brands