

DUAL MOTOR ELECTRIC ADJUSTABLE HEIGHT A6 SIT-STAND DESK

A6FRAME_BK
403025



Operator's Manual



Read the Operator's Manual entirely. When you see this symbol, the subsequent instructions and warnings are serious follow without exception. Your life and the lives of others depend on it!

SPECIFICATIONS

ELECTRIC CONTROL PART:

Input Voltage: 100-240Vac 50/60Hz

Duty cycle: 10%MAX 2min on 18min off

DESK FRAME PART:

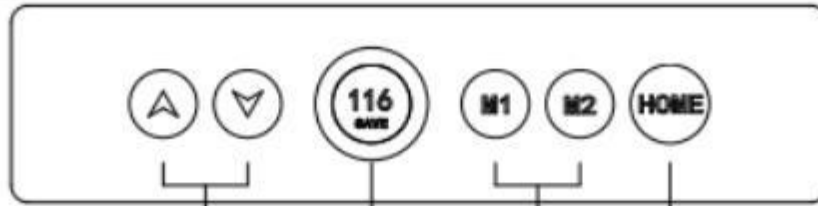
Dynamic load: 120KG

The maximum static load: 140KG

SAFETY WARNING

1. Please read this manual carefully before use.
2. The product must be connected to the correct power supply.
3. For any accessories connected to the control box, the plug type and electrical characteristics must conform to its specifications.
4. Indoor use only.
5. If the transformer's external cable is damaged and need to be replaced, new accessory will be provided by the manufacturer or its service agent.

DIRECTIONS FOR USE



Up&Down key Display Screen Memory key Home key

The whole handset surface is a touch panel. If there is no touch within 30 seconds, the screen is locked and M1/M2/HOME keys are locked correspondingly. You can touch Up or Down keys to unlock screen. When screen lightened, all keys unlocked and handset enter operation state.

■ Up & Down Keys

Please keep pressing UP/DOWN key to adjust desk height until you get an optimum height.

■ Display Screen

Display the height value of the desk.

■ Memory Key M1/M2

After setting memory keys, the desk can lift automatically to memory height.

✕ How to set memory mode

Please keep touching M1/M2 key for 5 seconds, until "di" sound, the memory height is successfully saved. Then light touch M1/M2, the desk moves to memory height automatically.

■ Home Key

Light touch HOME key. Desk height moves to 72cm automatically that is the optimum height for human body.

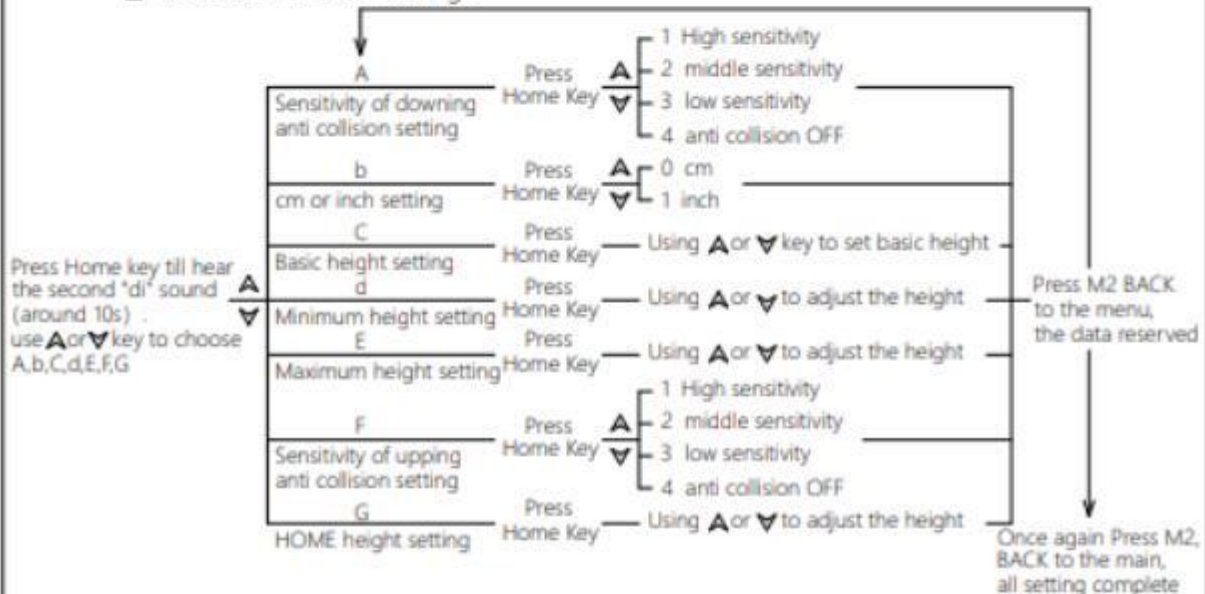
■ Safety Function

When the desktop is on the rise or down, encountered reverse resistance, the desk will rebound.

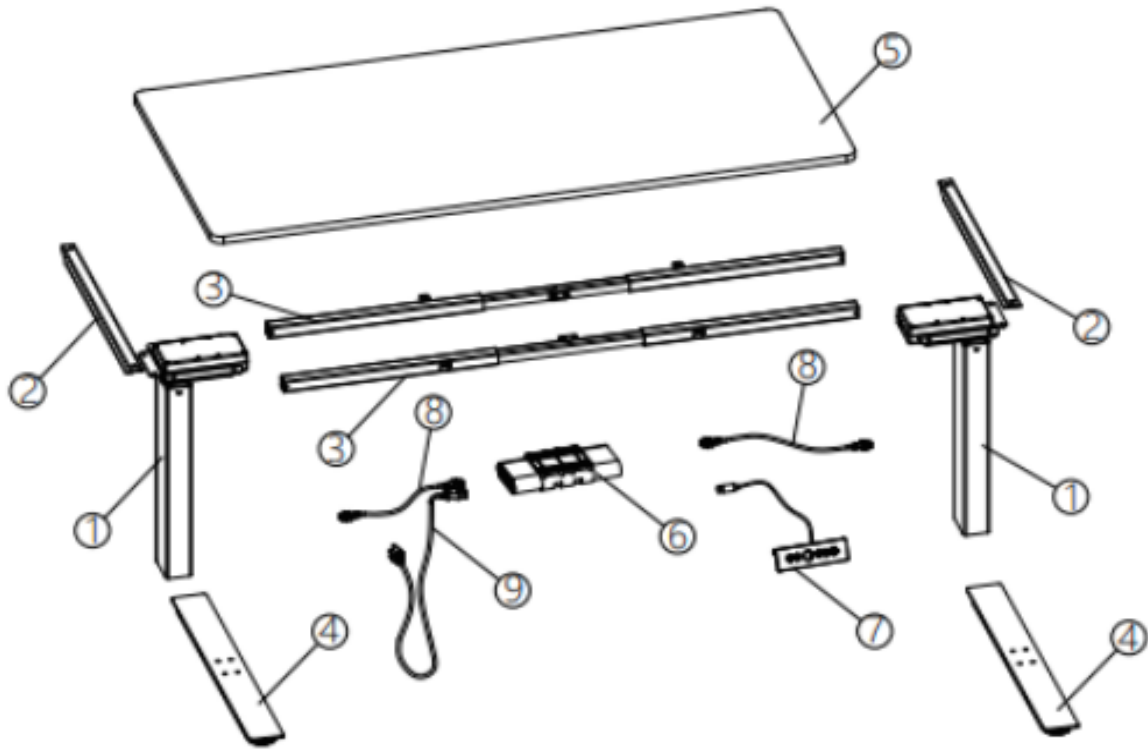
■ Handset shows error code and solution

Error code	Fault cause	Solution
ER1	Motor stop	Power off and restart. If fault still exists, it is motor problem.
ER2	Synchro error	Power off (over 20s) and restart. If handset display RST(DOWN key unlocked), keep touching DOWN key to the lowest normal number.
ER3	Cable fault	Check motor cable off or broken, power off and restart.
ER4	Communication fault	Check cables for handset and controller, power off and restart.
ER5	Overload protection	Lighten loads, power off and restart.
HOT	Run continuously for 2.5 to 5 minutes.	Overload, power protection, automatic recovery after five minutes
RST	Reset reminder	Pressing the down key until reach lowest, screen become normal.






■ Advanced Function Settings



PARTS DIAGRAM / EXPLODED VIEW



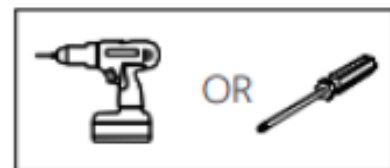
HARDWARE INCLUDED

A	QTY:12	B	QTY:8	C	QTY:8	D	QTY:4	E	QTY:2
									
M8*10		M8*20		M6*12		M6*10		ST3.5*16	

TOOLS INCLUDED




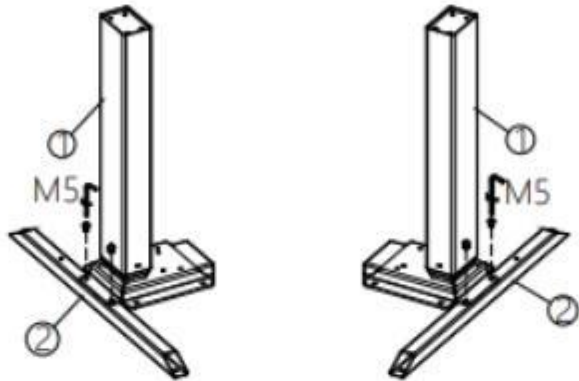
TOOLS REQUIRED




INSTALLATION INSTRUCTION

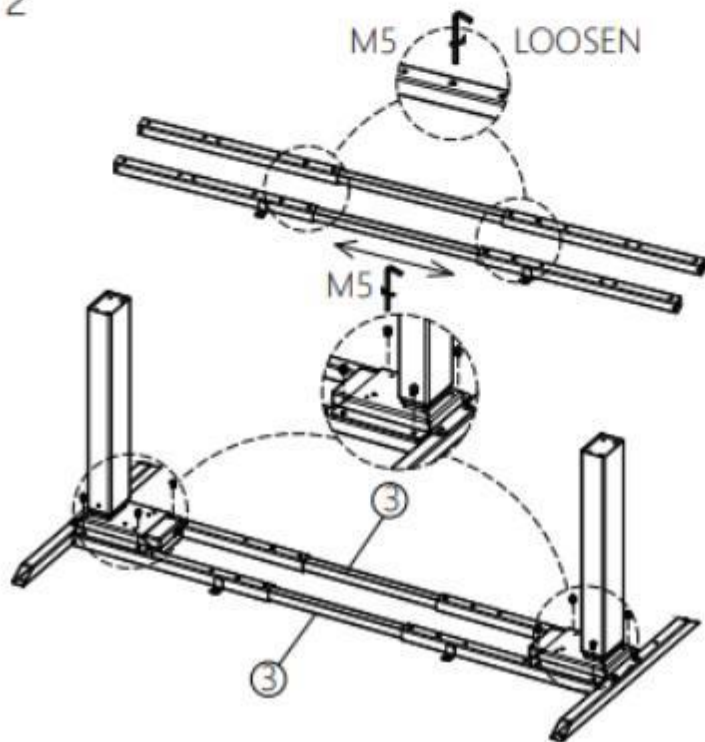
STEP 1

A	QTY:4
	
M8*10	



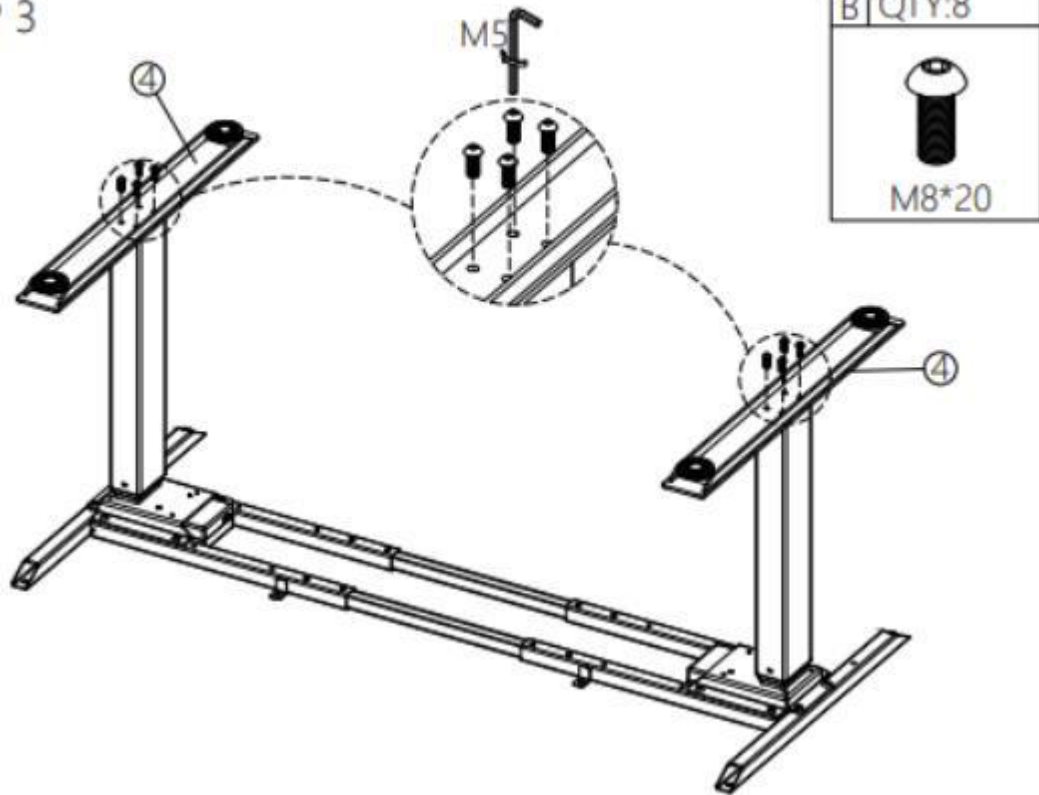
STEP 2

A	QTY:8
	
M8*10	

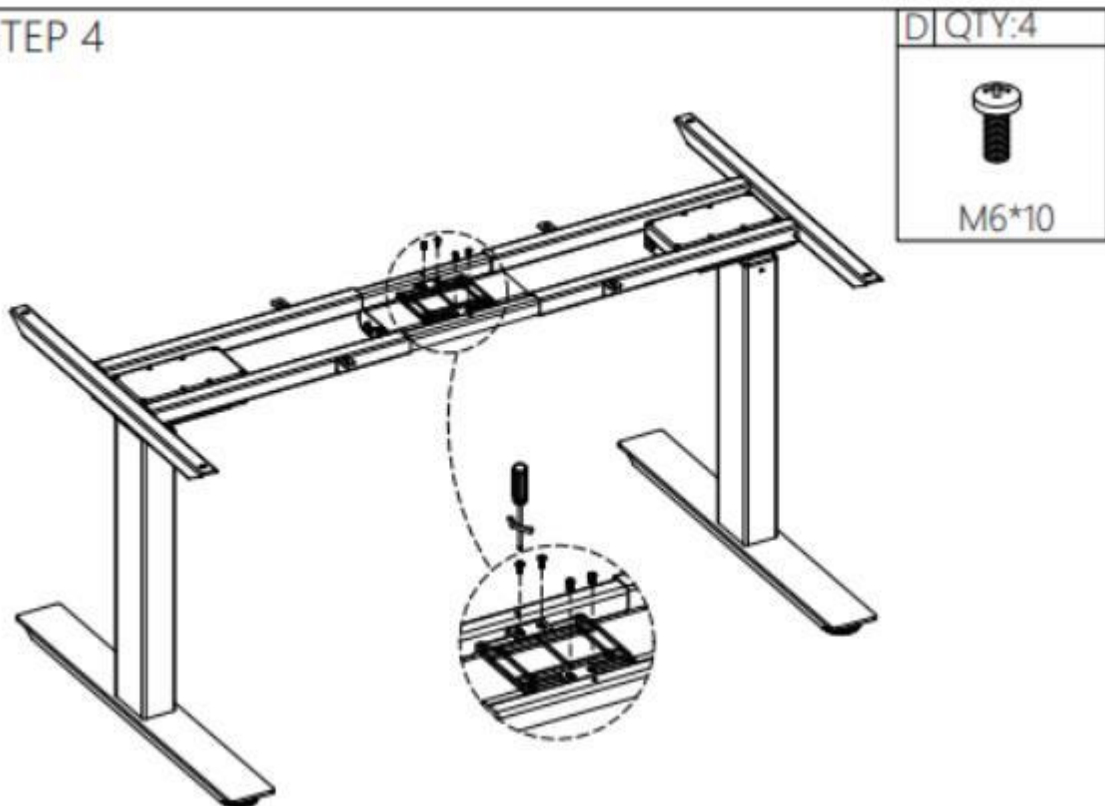


INSTALLATION INSTRUCTION

STEP 3



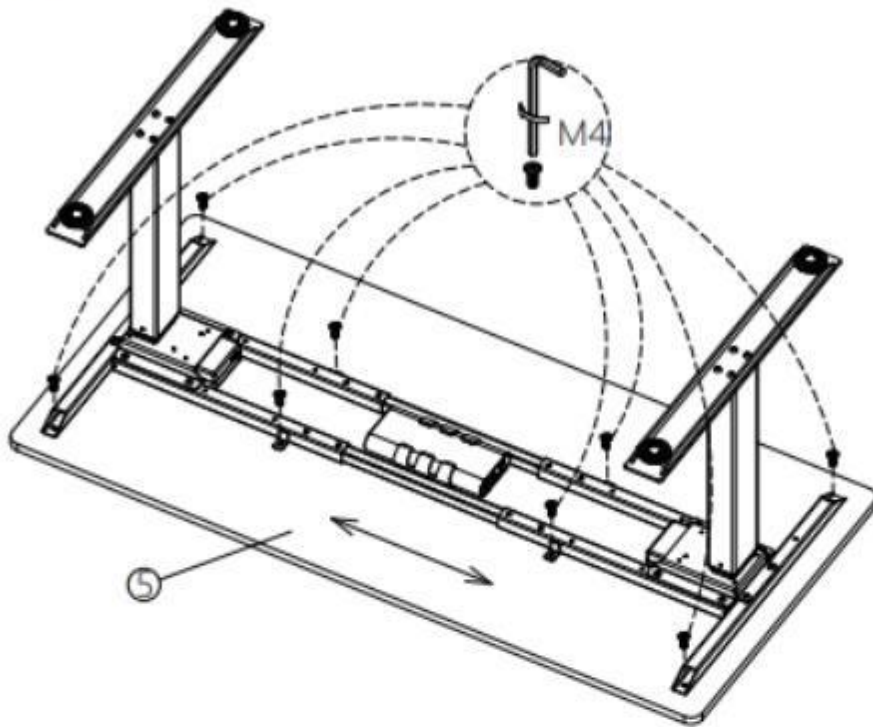
STEP 4



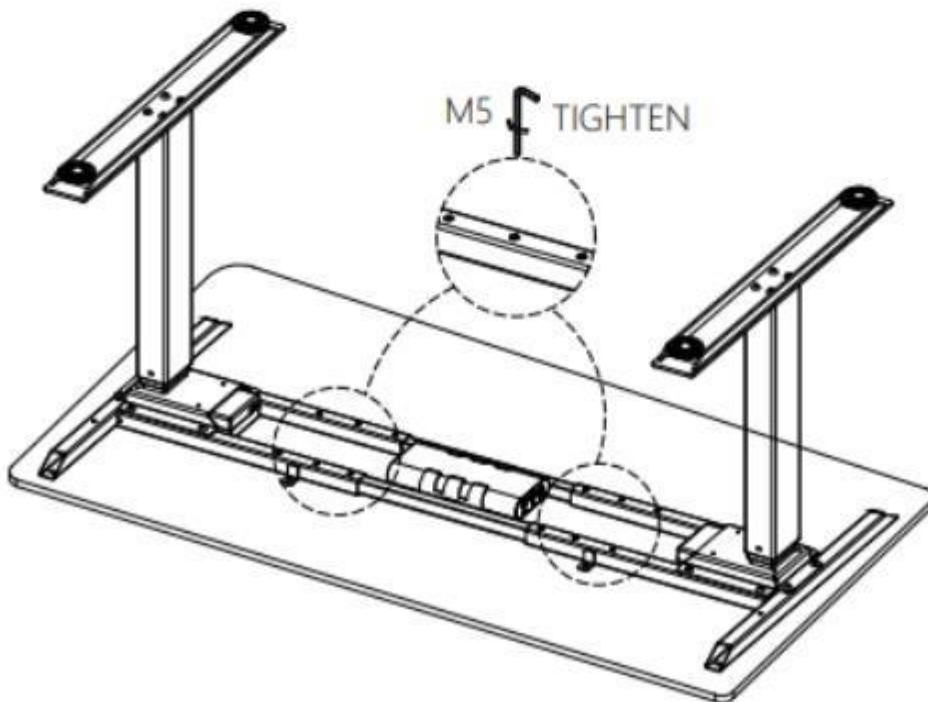
INSTALLATION INSTRUCTION

STEP 5

C	QTY:10
	
M6*12	

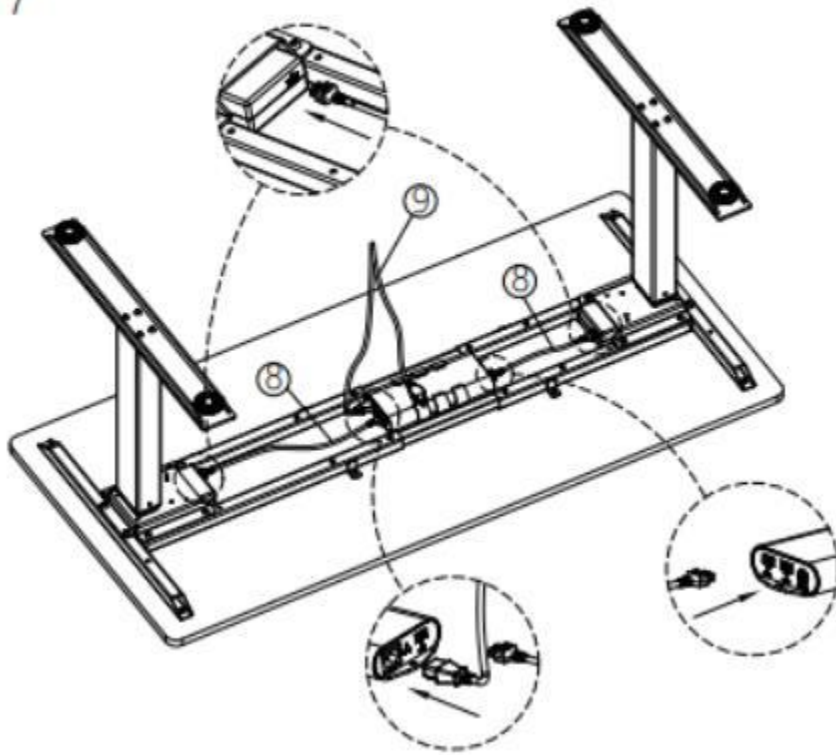


STEP 6

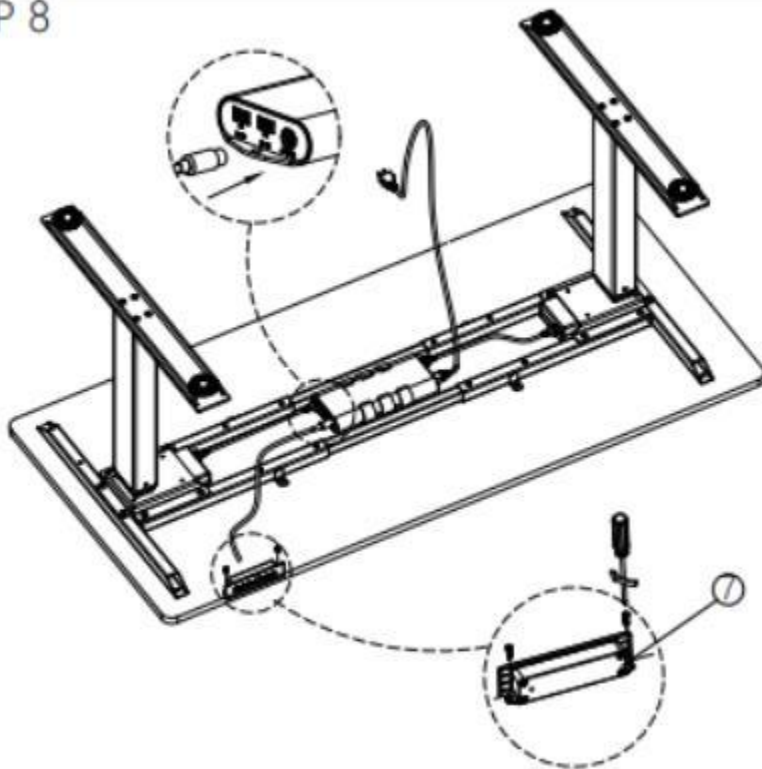



INSTALLATION INSTRUCTION

STEP 7



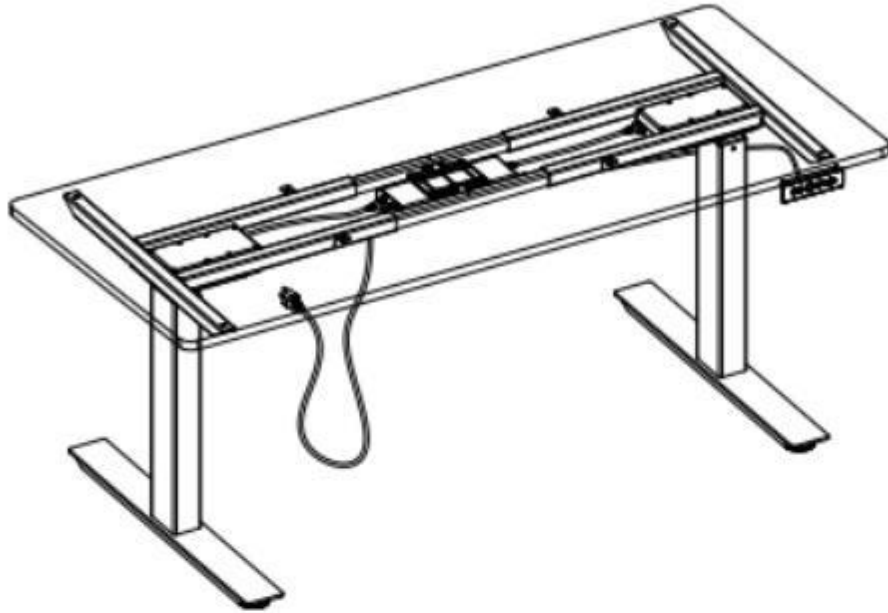
STEP 8



E	QTY:2
	
ST3.5*16	

INSTALLATION INSTRUCTION

STEP 9



ACKNOWLEDGEMENT OF RISK AND RELEASE OF LIABILITY

The use of any equipment, including this one, involves the potential risk of injury. Apart from any warranty claim that might be presented for a claimed defect in material or workmanship of the product, you accept and assume full responsibility for any and all injuries, damages (both economic and non-economic), and losses of any type, which may occur, and you fully and forever release and discharge Titan, its insurers, employees, officers, directors, associates, and agents from any and all claims, demands, damages, rights of action, or causes of action, present or future, whether the same be known or unknown, anticipated, or unanticipated, resulting from or arising out of the use of said equipment.

This equipment must be used with care by capable and competent individuals under supervision,

WARNING



Heavy object. Use lifting aids and proper lifting techniques when moving.



Choking hazard. Small parts – Please exercise caution if small children or pets are present.



Sharp objects may be involved. Use precaution and protection.

TITAN LIMITED WARRANTY: TERMS, EXCLUSIONS AND LIMITATIONS OF REMEDIES

This product comes with a one (1) year limited warranty that can be found at www.titan.fitness/warranty.html Please review the same for all details regarding the Titan Limited Warranty.

THE TITAN LIMITED WARRANTY FOUND AT WWW.TITAN.FITNESS/WARRANTY IS EXCLUSIVE AND IS IN LIEU OF ALL OTHER WARRANTIES, EXPRESS OR IMPLIED, INCLUDING ANY IMPLIED WARRANTY OF MERCHANTABILITY AND/OR FITNESS FOR A PARTICULAR PURPOSE, EACH OF WHICH IS HEREBY DISCLAIMED.



NEED HELP? CONTACT US FIRST.

1-888-410-1503

info@titan.fitness

www.titan.fitness

© 2021 Titan Brands