

HYPER / BACK EXTENSION BENCH

RMNCHAIRv2

400919

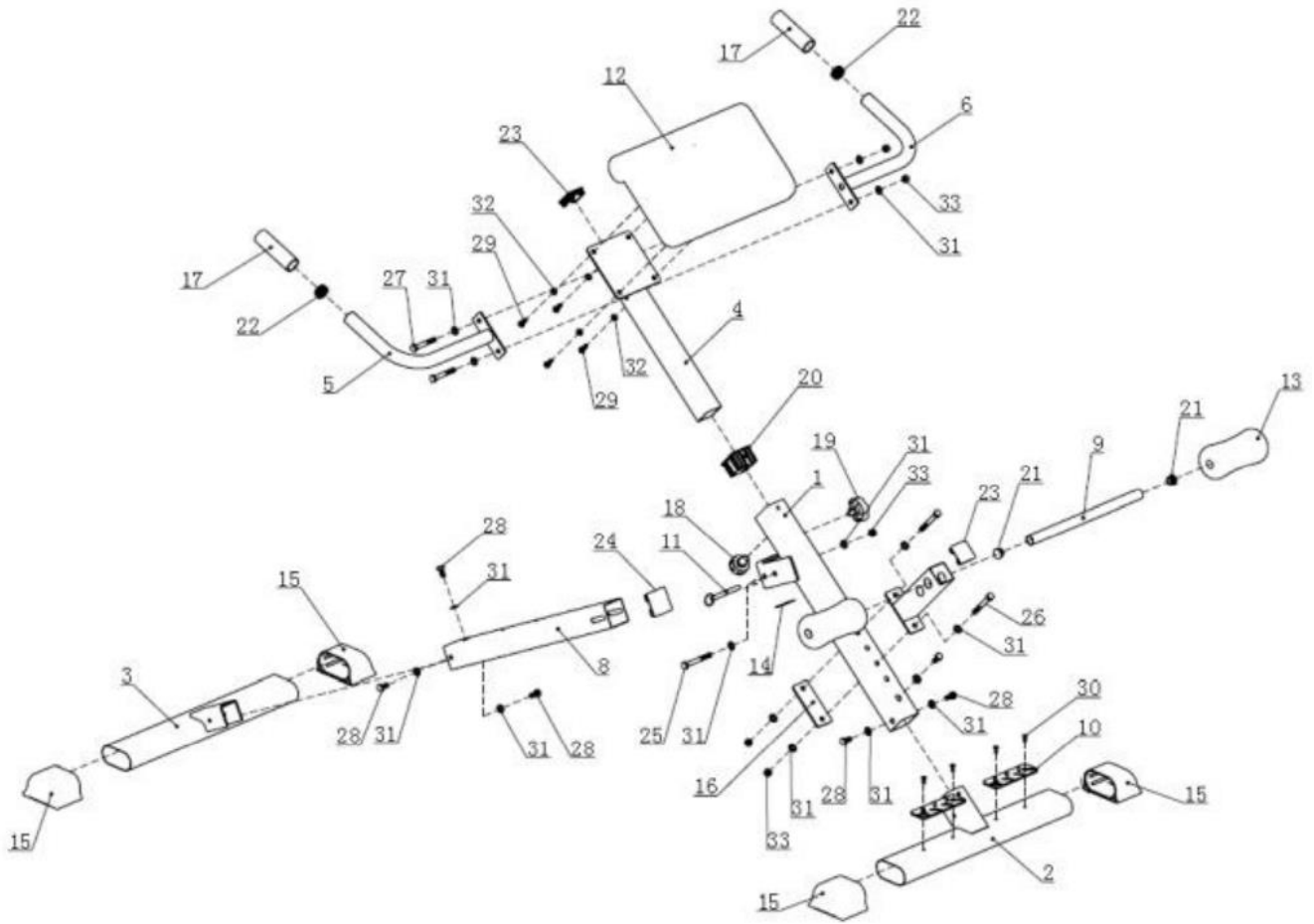


Operator's Manual



Read the Operator's Manual entirely. When you see this symbol, the subsequent instructions and warnings are serious follow without exception. Your life and the lives of others depend on it!

PARTS DIAGRAM / EXPLODED VIEW

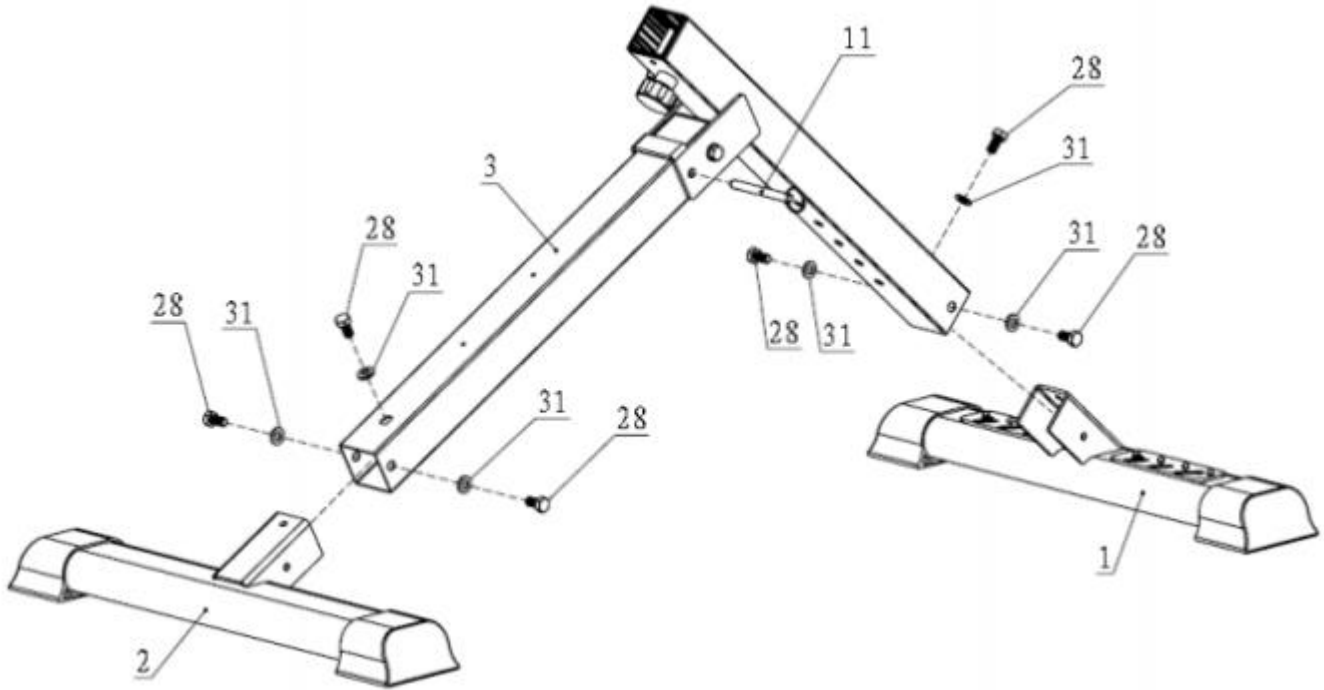


| KEY | DESCRIPTION | QTY | KEY | DESCRIPTION | QTY |
|------|------------------------------|-----|------|-----------------------------|-----|
| (1) | REAR SUPPORT FRAME | 1 | (18) | KNOB | 1 |
| (2) | REAR BASE FRAME | 1 | (19) | LOCK PIN M10 | 1 |
| (3) | FRONT BASE FRAME | 1 | (20) | 60X2-F50 SLEEVE | 1 |
| (4) | PAD SUPPORT FRAME | 1 | (21) | PLUG $\Phi 25*2$ | 2 |
| (5) | LEFT HANDLE | 1 | (22) | PLUG $\Phi 32*1.5$ | 2 |
| (6) | RIGHT HANDLE | 1 | (23) | F50*2 PLUG | 2 |
| (7) | FOAM BRACKET | 1 | (24) | F60*2 PLUG | 1 |
| (8) | FRONT SUPPORT FRAME | 1 | (25) | BOLT M10*85 | 1 |
| (9) | FOAM TUBE | 1 | (26) | BOLT M10*80 | 2 |
| (10) | FOOT PLATE | 2 | (27) | BOLT M10*70 | 2 |
| (11) | PIN $\Phi 9.8*95$ | 1 | (28) | BOLT M10*20 | 6 |
| (12) | PAD | 1 | (29) | BOLT M8*20 | 4 |
| (13) | FOAM $\Phi 85*\Phi 22*165$ | 2 | (30) | BOLT M6*15 | 4 |
| (14) | RUBBER CUSHION 50*25*0.8 | 1 | (31) | WASHER $\Phi 11*\Phi 20*2$ | 16 |
| (15) | END CAP | 4 | (32) | WASHER $\Phi 9*\Phi 16*1.6$ | 4 |
| (16) | 50X120PLATE | 1 | (33) | NUT M10 | 5 |
| (17) | HANDLE COVER $\Phi 31*3*120$ | 2 | | | |

ASSEMBLY INSTRUCTIONS

STEP 1:

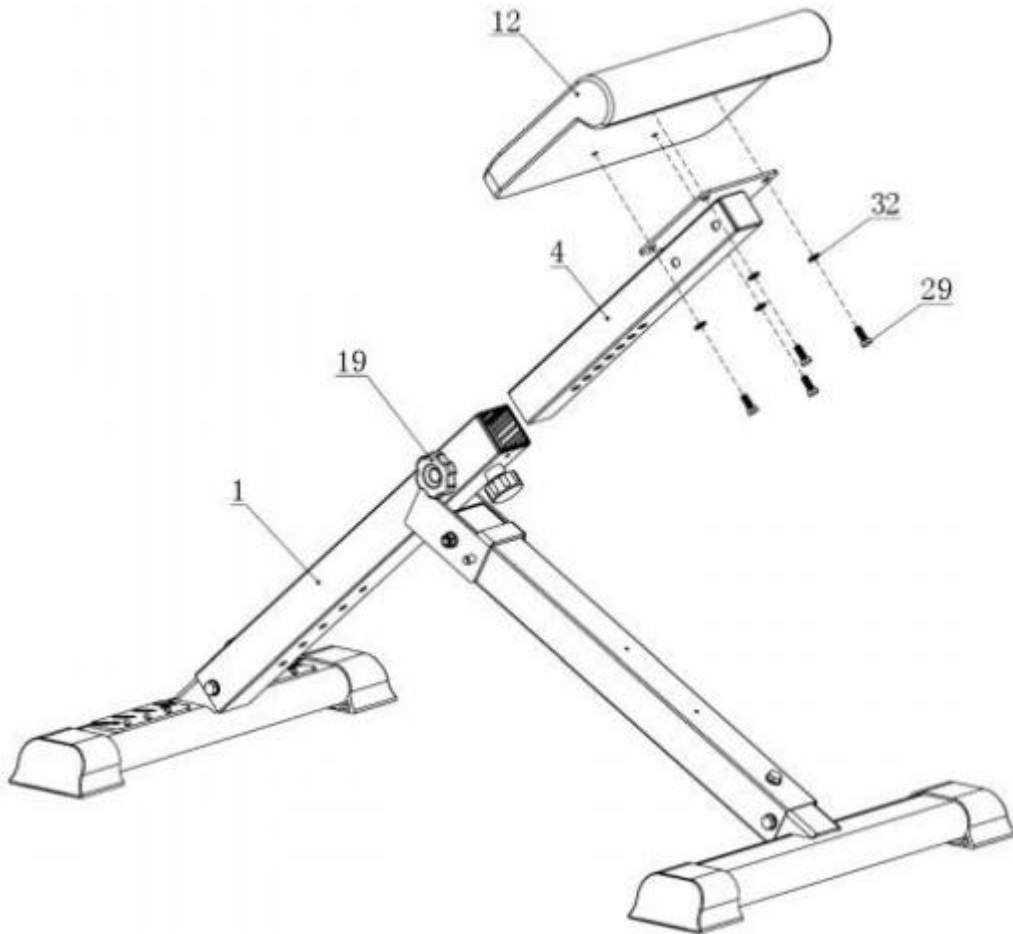
Connect **REAR SUPPORT FRAME (1)**, **REAR BASE FRAME (2)**, and **FRONT BASE FRAME (3)**, using **PIN (11)**, **FLAT WASHER (31)**, and **HEX BOLT M10*20 (28)**.



ASSEMBLY INSTRUCTIONS

STEP 2:

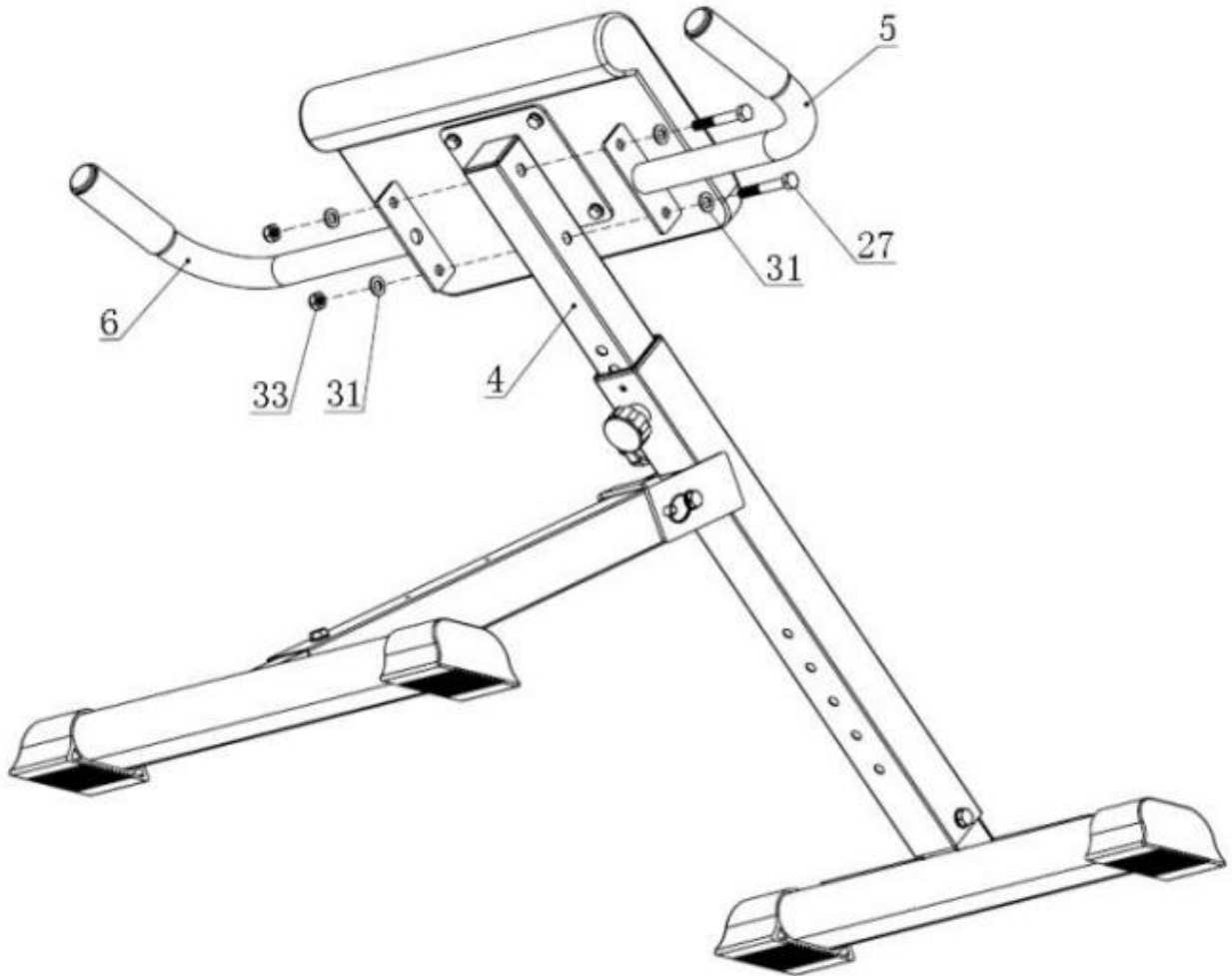
Fix **PAD (12)** on **PAD SUPPORT FRAME (4)**, using the **FLAT WASHER (32)**, and **BOLT M8*20 (29)**, then insert the **PAD SUPPORT FRAME (4)** into the **REAR SUPPORT FRAME (1)**.



ASSEMBLY INSTRUCTIONS

STEP 3:

Fix **LEFT HANDLE (5)** and **RIGHT HANDLE (6)** on **PAD SUPPORT FRAME (4)**, using the **FLAT WASHER (31)**, **NUT M10 (33)**, and **BOLT M10*70 (27)**.

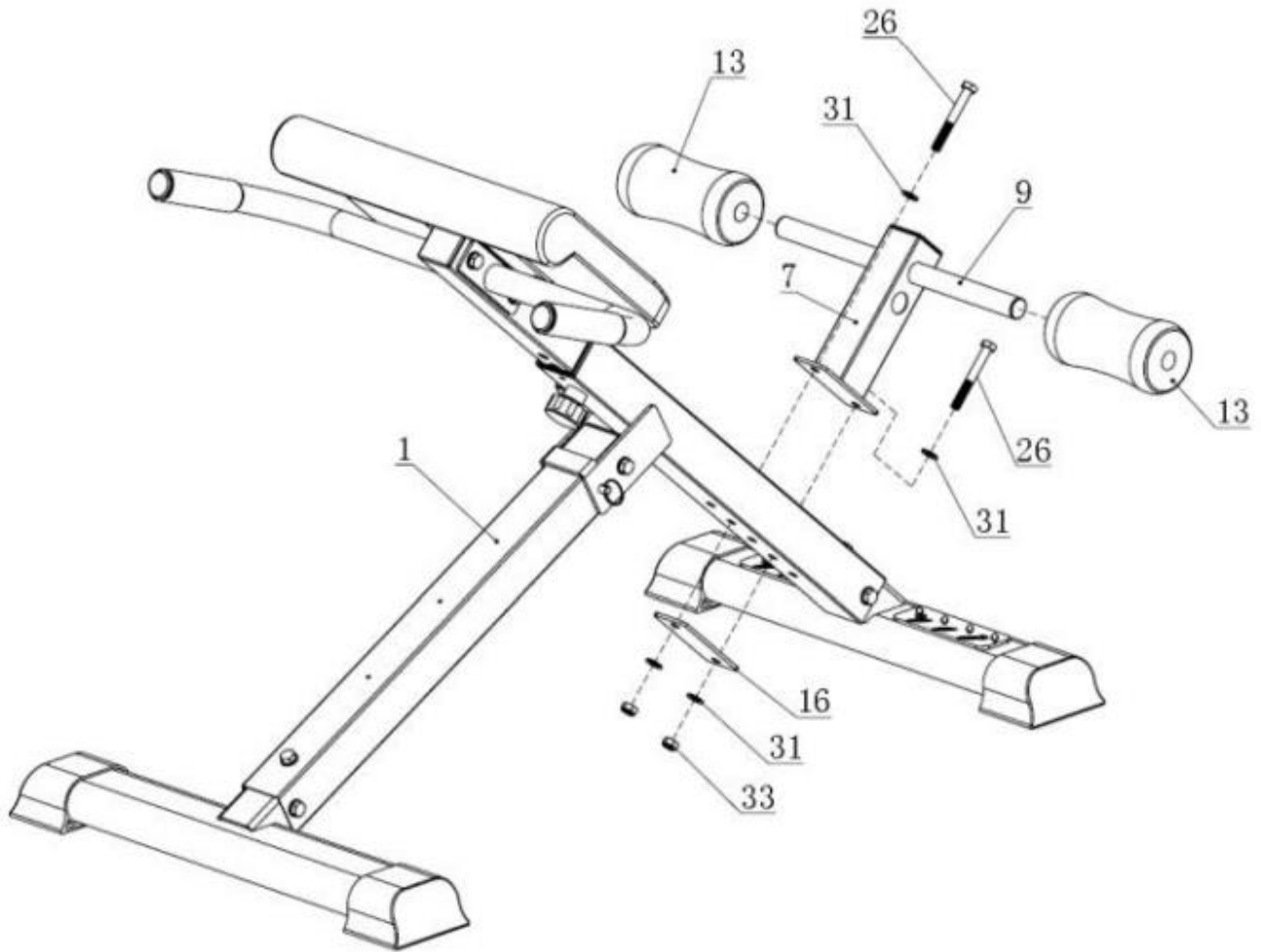


ASSEMBLY INSTRUCTIONS

STEP 4:

Fix **FOAM BRACKET (7)** on **REAR SUPPORT FRAME (1)**, using **PLATE (16)**, **FLAT WASHER (31)**, **NUT M10 (33)**, and **BOLT M10*80 (26)**.

Insert **FOAM TUBE (9)** into the **FOAM BRACKET (7)**, then install the **FOAM (13)** on the **FOAM TUBE (9)**.



ACKNOWLEDGEMENT OF RISK AND RELEASE OF LIABILITY

The use of any equipment, including this one, involves the potential risk of injury. Apart from any warranty claim that might be presented for a claimed defect in material or workmanship of the product, you accept and assume full responsibility for any and all injuries, damages (both economic and non-economic), and losses of any type, which may occur, and you fully and forever release and discharge Titan, its insurers, employees, officers, directors, associates, and agents from any and all claims, demands, damages, rights of action, or causes of action, present or future, whether the same be known or unknown, anticipated, or unanticipated, resulting from or arising out of the use of said equipment.

This equipment must be used with care by capable and competent individuals under supervision,

WARNING



Heavy object. Use lifting aids and proper lifting techniques when moving.



Choking hazard. Small parts – Please exercise caution if small children or pets are present.



Sharp objects may be involved. Use precaution and protection.

TITAN LIMITED WARRANTY: TERMS, EXCLUSIONS AND LIMITATIONS OF REMEDIES

This product comes with a one (1) year limited warranty that can be found at www.titan.fitness/warranty.html Please review the same for all details regarding the Titan Limited Warranty.

THE TITAN LIMITED WARRANTY FOUND AT WWW.TITAN.FITNESS/WARRANTY IS EXCLUSIVE AND IS IN LIEU OF ALL OTHER WARRANTIES, EXPRESS OR IMPLIED, INCLUDING ANY IMPLIED WARRANTY OF MERCHANTABILITY AND/OR FITNESS FOR A PARTICULAR PURPOSE, EACH OF WHICH IS HEREBY DISCLAIMED.



NEED HELP? CONTACT US FIRST.

1-888-410-1503

info@titan.fitness

www.titan.fitness

© 2021 Titan Brands