

# PLATE LOADABLE SEATED DIP MACHINE

---

PLDIP  
400899

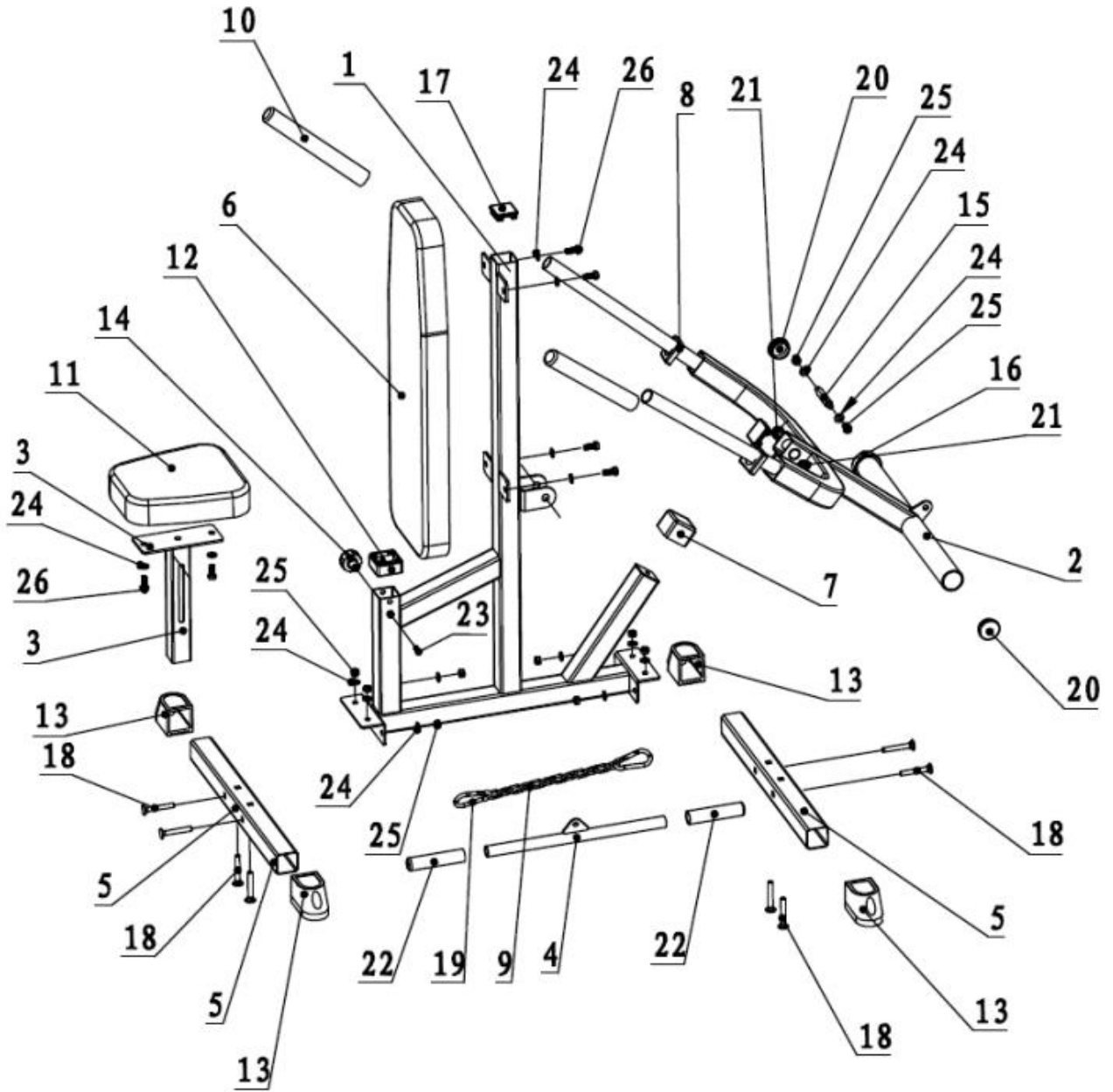


## Operator's Manual



Read the Operator's Manual entirely. When you see this symbol, the subsequent instructions and warnings are serious follow without exception. Your life and the lives of others depend on it!

PARTS DIAGRAM / EXPLODED VIEW



**PARTS DIAGRAM / EXPLODED VIEW**

---

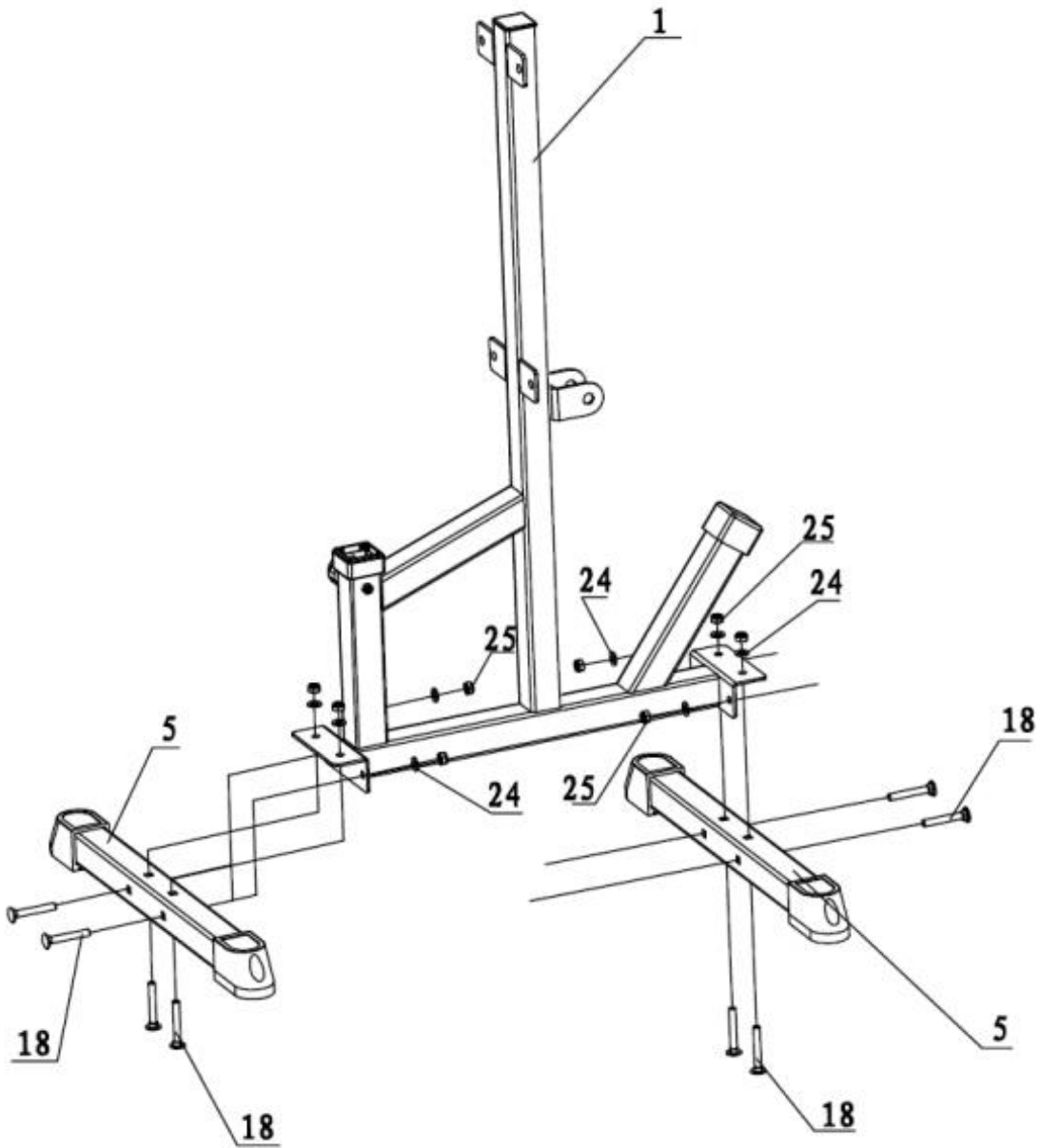
<b>KEY</b>	<b>BOX</b>	<b>DESCRIPTION</b>	<b>QTY</b>
(1)	1	MAIN FRAME	1
(2)	1	ARM FRAME	1
(3)	1	SEAT CUSHION FRAME	1
(4)	1	HANDLEBAR	1
(5)	1	BASE FRAME	2
(6)	1	BACK CUSHION	1
(7)	1	PIPE SLEEVE 50	1
(8)	1	RIGHT HANDLE FRAME	2
(9)	1	PIPE SLEEVE 50*33.5*14	1
(10)	1	GRIP 31*3*280	2
(11)	1	SEAT CUSHION	1
(12)	1	HALLOW SLEEVE	1
(13)	1	F50 HORSESHOE SLEEVE	4
(14)	1	LOCK PIN	1
(15)	1	ROTATION SHAFT	1
(16)	1	RUBBER BUMPER 65*49.5*18	2
(17)	1	END CAP 50*2.5	2
(18)	1	CARRIAGE BOLT M10*70	8
(19)	1	CHAIN	2
(20)	1	END CAP 48*2END CAP 48*2	2
(21)	1	METAL BUSH 16	2
(22)	1	GRIP 29.5*130	2
(23)	1	HEX BOLT M8*25	1
(24)	1	FLAT WASHER 11*20*2	16
(25)	1	NUT M10	10
(26)	1	HEX BOLT M10*25	6

## ASSEMBLY INSTRUCTIONS

---

### STEP 1

Connect MAIN FRAME (1) and BASE FRAME (5), using FLAT WASHER (24), NUT M10 (25) and CARRIAGE BOLT M10\*70 (18).

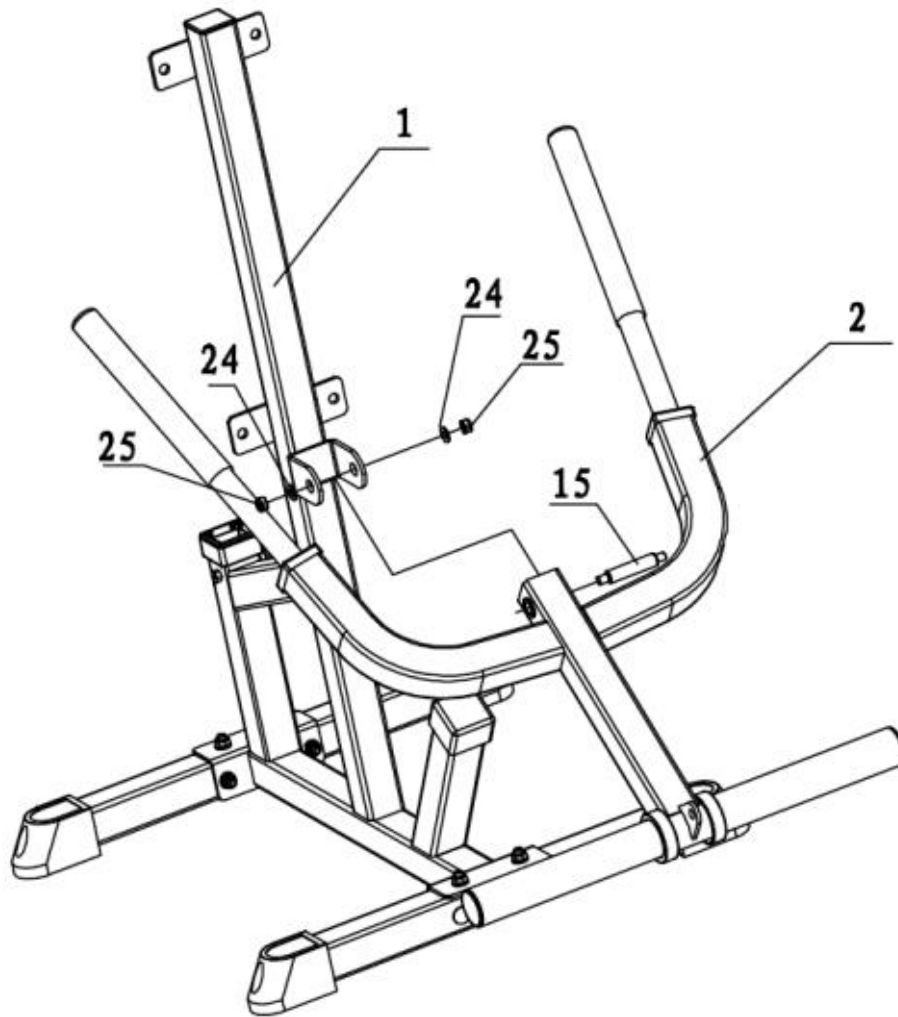


## ASSEMBLY INSTRUCTIONS

---

### STEP 2

Fix ARM FRAME (2) on MAIN FRAME (1), using FLAT WASHER (24), NUT M10 (25), and ROTATION SHAFT (15).

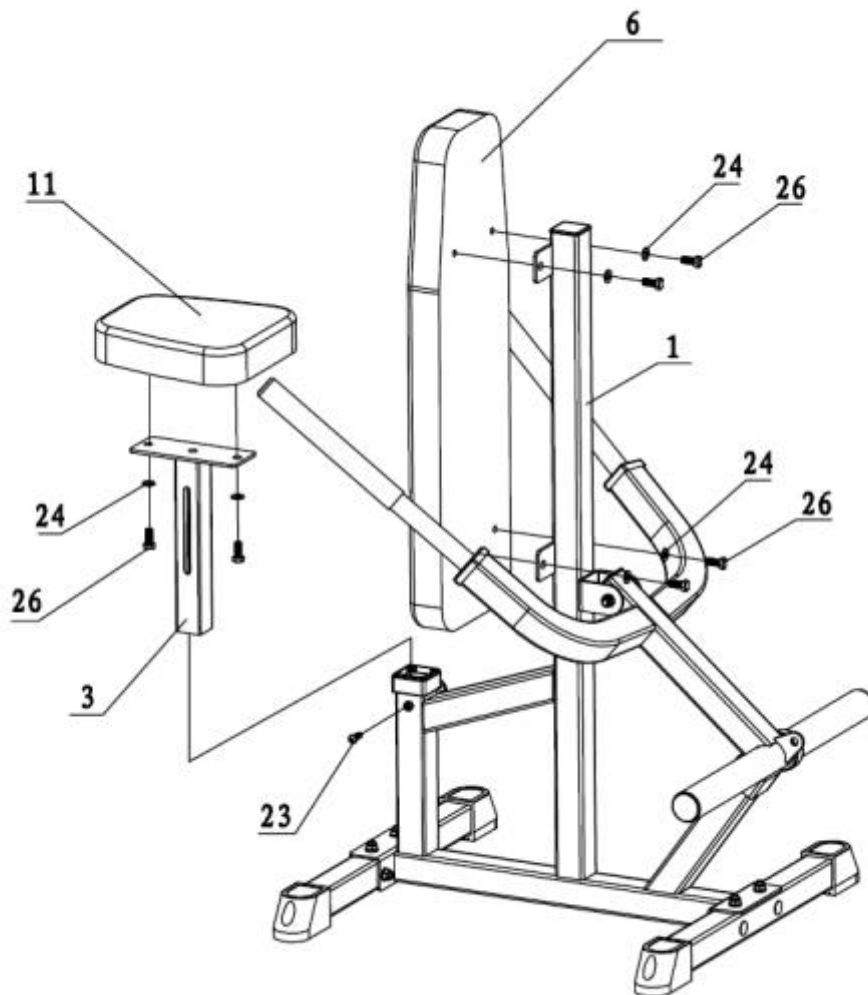


## ASSEMBLY INSTRUCTIONS

---

### STEP 3

1. Plug SEAT CUSHION FRAME (3) into MAIN FRAME (1), using HEX HEAD BOLT (23).
2. Fix SEAT CUSHION (11) on SEAT CUSHION FRAME (3), using HEX BOLT M10\*25 (26), and FLAT WASHER (24).
3. Fix BACK CUSHION. (6) on MAIN FRAME (1), using HEX BOLT M10\*25\* (26) and FLAT WASHER (24)



## ACKNOWLEDGEMENT OF RISK AND RELEASE OF LIABILITY

---

The use of any equipment, including this one, involves the potential risk of injury. Apart from any warranty claim that might be presented for a claimed defect in material or workmanship of the product, you accept and assume full responsibility for any and all injuries, damages (both economic and non-economic), and losses of any type, which may occur, and you fully and forever release and discharge Titan, its insurers, employees, officers, directors, associates, and agents from any and all claims, demands, damages, rights of action, or causes of action, present or future, whether the same be known or unknown, anticipated, or unanticipated, resulting from or arising out of the use of said equipment.

This equipment must be used with care by capable and competent individuals under supervision,

## WARNING

---



Heavy object. Use lifting aids and proper lifting techniques when moving.



Choking hazard. Small parts – Please exercise caution if small children or pets are present.



Sharp objects may be involved. Use precaution and protection.

## TITAN LIMITED WARRANTY: TERMS, EXCLUSIONS AND LIMITATIONS OF REMEDIES

---

This product comes with a one (1) year limited warranty that can be found at [www.titan.fitness/warranty.html](http://www.titan.fitness/warranty.html) Please review the same for all details regarding the Titan Limited Warranty.

**THE TITAN LIMITED WARRANTY FOUND AT [WWW.TITAN.FITNESS/WARRANTY](http://WWW.TITAN.FITNESS/WARRANTY) IS EXCLUSIVE AND IS IN LIEU OF ALL OTHER WARRANTIES, EXPRESS OR IMPLIED, INCLUDING ANY IMPLIED WARRANTY OF MERCHANTABILITY AND/OR FITNESS FOR A PARTICULAR PURPOSE, EACH OF WHICH IS HEREBY DISCLAIMED.**



**NEED HELP? CONTACT US FIRST.**

**1-888-410-1503**

[info@titan.fitness](mailto:info@titan.fitness)

[www.titan.fitness](http://www.titan.fitness)

© 2022 Titan Brands