

# JR. GYMNASTICS KIP BAR

---

KIPBAR

409001

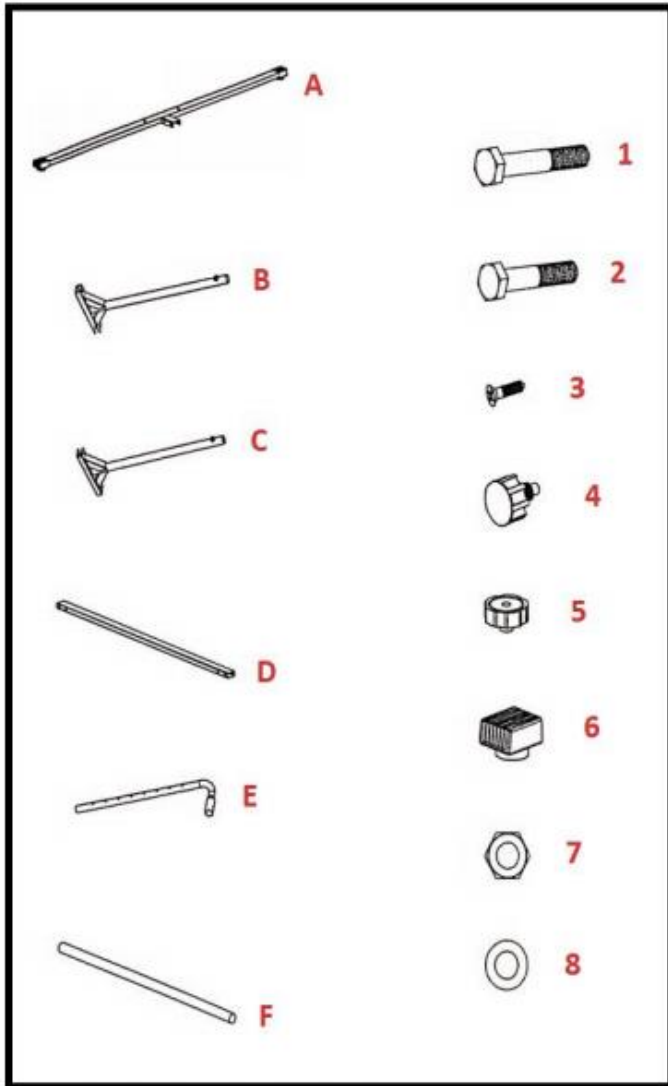


## Operator's Manual



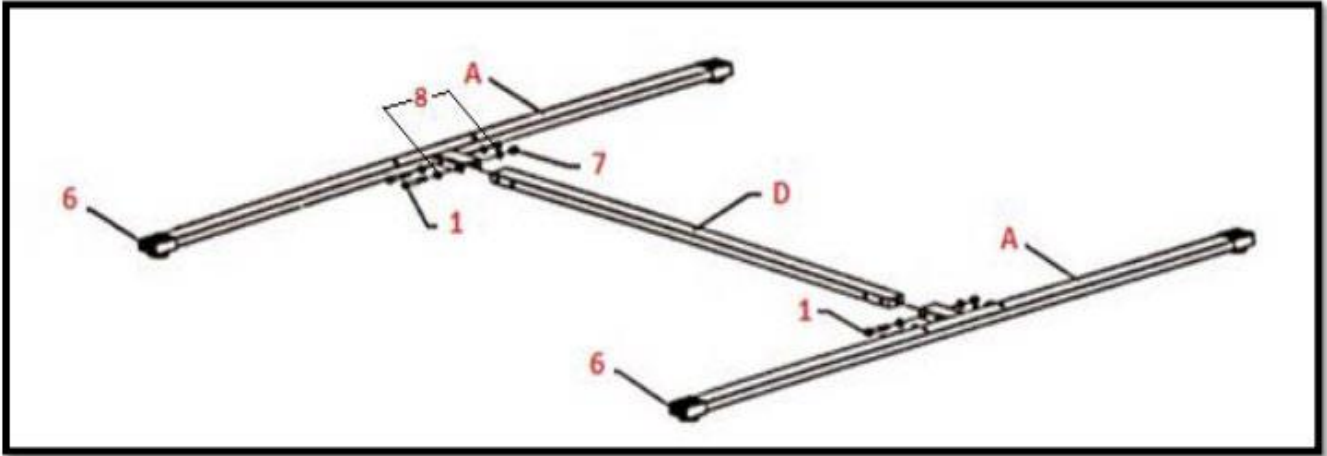
Read the Operator's Manual entirely. When you see this symbol, the subsequent instructions and warnings are serious follow without exception. Your life and the lives of others depend on it!

**PARTS DIAGRAM / EXPLODED VIEW**

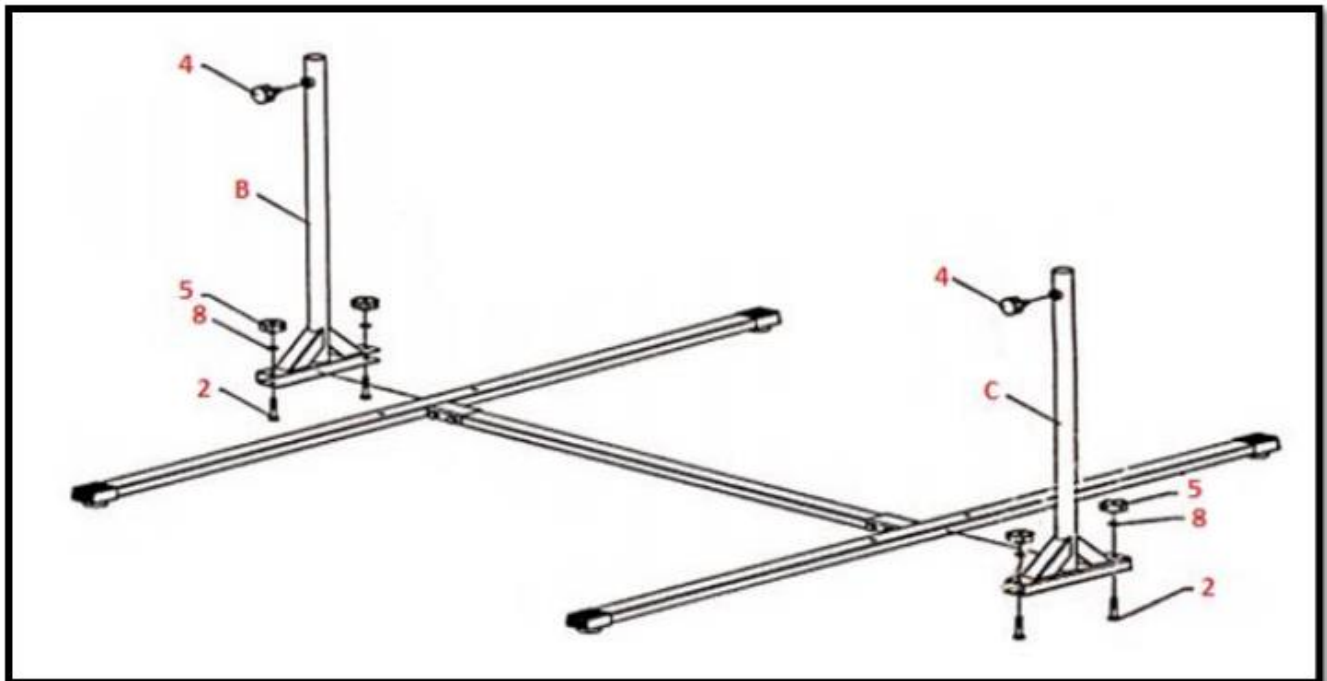


KEY	DESCRIPTION	QTY
(A)	BASE FRAME	x2
(B)	UPRIGHT (LEFT)	x1
(C)	UPRIGHT (RIGHT)	x1
(D)	CROSS TUBE	x1
(E)	ADJUSTABLE TUBE	x2
(F)	WOOD HANDLE	x1
(1)	M10x65 BOLT	x4
(2)	M10x45 BOLT	x4
(3)	M5x15 WOOD SCREW	x2
(4)	M16 POP PIN	x2
(5)	M10 KNOB	x4
(6)	25x50 END COVER	x4
(7)	M10 NYLON NUT	x4
(8)	M10 WASHER	x12

## ASSEMBLY INSTRUCTIONS



1. Attach a 25x50 END COVER (6) to each end of both BASE FRAMES (A).
2. Secure both BASE FRAMES (A) to the CROSS TUBE (D) with M10x65 BOLTS (1), M10 WASHERS (8), and M10 NYLON NUTS (7).

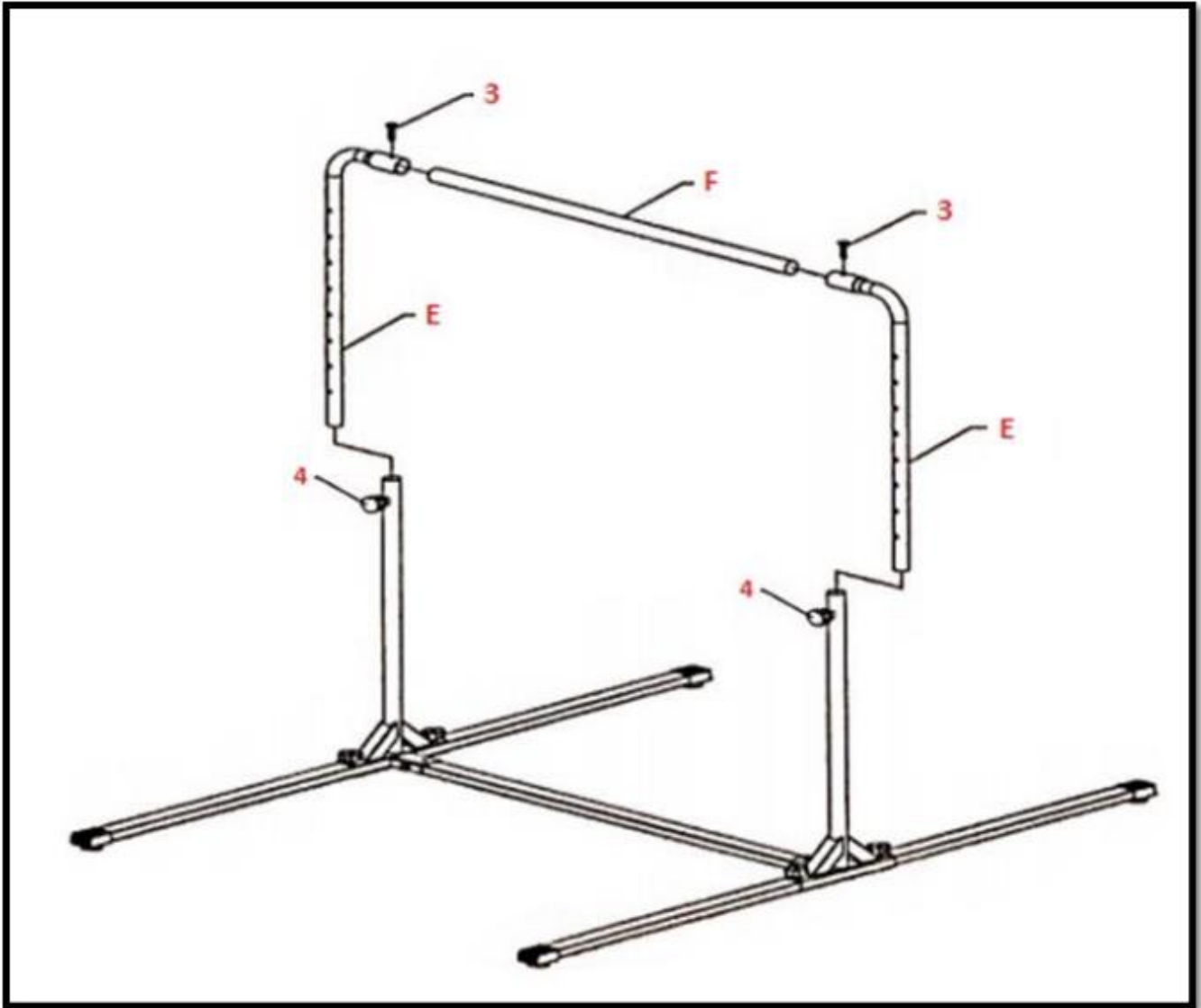


3. Slide the center of each BASE FRAME (A) into the bottom of the UPRIGHTS (B & C).
4. Secure the UPRIGHTS (B & C) to the BASE FRAMES (A) with M10 KNOBS (5), M10 WASHERS (8), and M10x45 BOLTS (2).

## ASSEMBLY INSTRUCTIONS

**IMPORTANT:** Use a wrench when tightening the bolts underneath the KIPBAR.

- Loosely screw an M16 POP PIN (4) into each of the UPRIGHTS (B & C).



- Insert the WOOD HANDLE (F) into the tops of each ADJUSTABLE TUBE (E), and secure in place with M5x15 WOOD SCREWS (3).
- Tighten the M16 POP PINS (4), and make sure that they go through the holes of the ADJUSTABLE TUBES (E).

**IMPORTANT:** The **M16 POP PINS (4)** can be pulled on and popped out to adjust the height of the product.

## ACKNOWLEDGEMENT OF RISK AND RELEASE OF LIABILITY

---

The use of any equipment, including this one, involves the potential risk of injury. Apart from any warranty claim that might be presented for a claimed defect in material or workmanship of the product, you accept and assume full responsibility for any and all injuries, damages (both economic and non-economic), and losses of any type, which may occur, and you fully and forever release and discharge Titan, its insurers, employees, officers, directors, associates, and agents from any and all claims, demands, damages, rights of action, or causes of action, present or future, whether the same be known or unknown, anticipated, or unanticipated, resulting from or arising out of the use of said equipment.

This equipment must be used with care by capable and competent individuals under supervision,

## WARNING

---



Heavy object. Use lifting aids and proper lifting techniques when moving.



Choking hazard. Small parts – Please exercise caution if small children or pets are present.



Sharp objects may be involved. Use precaution and protection.

## TITAN LIMITED WARRANTY: TERMS, EXCLUSIONS AND LIMITATIONS OF REMEDIES

---

This product comes with a one (1) year limited warranty that can be found at [www.titan.fitness/warranty.html](http://www.titan.fitness/warranty.html) Please review the same for all details regarding the Titan Limited Warranty.

**THE TITAN LIMITED WARRANTY FOUND AT [WWW.TITAN.FITNESS/WARRANTY](http://WWW.TITAN.FITNESS/WARRANTY) IS EXCLUSIVE AND IS IN LIEU OF ALL OTHER WARRANTIES, EXPRESS OR IMPLIED, INCLUDING ANY IMPLIED WARRANTY OF MERCHANTABILITY AND/OR FITNESS FOR A PARTICULAR PURPOSE, EACH OF WHICH IS HEREBY DISCLAIMED.**



**NEED HELP? CONTACT US FIRST.**

**1-888-410-1503**

**[info@titan.fitness](mailto:info@titan.fitness)**

**[www.titan.fitness](http://www.titan.fitness)**

**© 2022 Titan Brands**