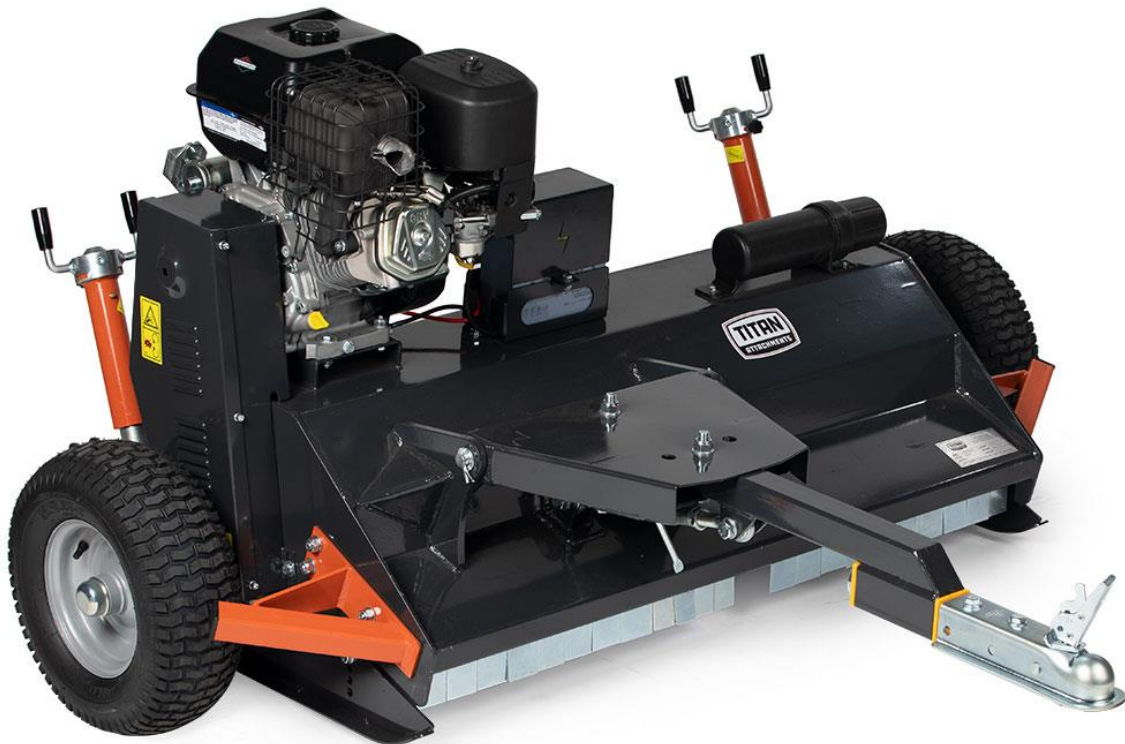


ATV TOWABLE FLAIL MOWER

ATVFLAIL48

191633



Operator's Manual



Read the Operator's Manual entirely. When you see this symbol, the subsequent instructions and warnings are serious follow without exception. Your life and the lives of others depend on it!

IMPORTANT SAFETY INFORMATION

THESE ARE STANDARD PRACTICES THAT MAY NOT APPLY TO THE PRODUCTS DESCRIBED IN THIS MANUAL.

SAFETY AT ALL TIMES

Thoroughly read and understand the instructions given in this manual before operation. Refer to the "Safety Label" section, read all instructions noted on them.

Do not allow anyone to operate this equipment who has not thoroughly read and comprehended this manual. Do not allow anyone who has not adequately trained in the safe operation of the equipment.

- The operator should be familiar with all functions of the unit.
- Operate implement from the driver's seat only.
- Make sure all guards and shields are in place and secured before operating the tool.
- Do not leave a tractor or implement unattended with the engine running.
- Dismounting from a moving tractor could cause severe injury or death.
- Do not allow anyone to stand between tractor and implement while backing up to implement.
- Keep hands, feet, and clothing away from power-driven parts.
- Wear snug-fitting clothing to avoid entanglement with moving parts.
- Watch out for wires, trees, etc., when raising implements. Make sure all persons are clear of the working area.
- Turning the tractor too tight may cause implement to ride upon wheels. This activity could result in injury or equipment damage.
- Do not carry passengers on the tool at any time.



LOOK FOR THE SAFETY ALERT SYMBOL

The **SAFETY ALERT SYMBOL** indicates a potential hazard to personal safety, and individuals must take safety precautions. When you see this symbol, be alert and carefully read the message that follows it. In addition to the design and configuration of equipment, hazard control and accident prevention depend on the awareness, concern, prudence, and proper training of personnel involved in the operation, transport, maintenance, and storage.

BE AWARE OF SAFETY ALERT WORDS

A Signal word designates a degree or level of hazard seriousness. The signal words are:

DANGER: Indicates imminently hazardous practices. A situation that, if not avoided, will result in death or severe injury. The signal word is limited to the most extreme situation, typically for machine components that, for functional purposes, cannot be guarded.

WARNING: Indicates a potentially hazardous situation that, if not avoided, could result in death or severe injury, and includes hazards that are exposed when guards remove. Use warnings to alert against unsafe practices.

CAUTION: Indicates a potentially hazardous situation that may result in minor or moderate injury if not avoided. It may also be used to alert against unsafe practices.

FOR YOUR PROTECTION

Thoroughly read and understand the “Safety Label” section, read all instructions noted on them.

SHUTDOWN AND STORAGE

- Lower machine to the ground, put the tractor in park, turn off the engine, and remove the key.
- Detach and store implements in an area where children typically do not play. Secure implement by using blocks and supports.

USE SAFETY LIGHTS AND DEVICES

- Slow-moving tractors, self-propelled equipment, and towed implements can create a hazard when driven on public roads. They are challenging to see, especially at night.
- Flashing warning lights and we recommend turn signals whenever driving on the public road.

TRANSPORT MACHINERY SAFELY

- Comply with state and local laws
- The maximum transport speed for implement is 20 mph, DO NOT EXCEED. Never travel at a rate that does not allow adequate control of steering and stopping. Some rough terrain requires a slower speed.
- Sudden braking can cause a towed load to swerve and upset. Reduce speed if the towed load is not equipped with brakes.

Use the following maximum speed – tow load weight ratios as a guideline:

- 20 mph when weight is less than or equal to the weight of the tractor.
- 10 mph when weight is double the weight of the tractor.

IMPORTANT: Do not tow a load that is more than double the weight of the tractor.

PRACTICE SAFE MAINTENANCE

- Understand procedure before doing work. Use proper tools and equipment, refer to Operator's Manual for additional information.
- Work in a clean dry area.
- Lower the implement to the ground, put tractor in park, turn off engine, and remove key before performing maintenance.
- Allow implement to cool completely.
- Do not grease or oil implement while it is in operation.
- Inspect all part. Make sure parts are in good condition & installed properly.
- Remove buildup of grease, oil, or debris.
- Remove all tools and unused parts from implement before operation.

KEEP RIDERS OFF MACHINERY

- Riders obstruct the operator's view, they could be struck by foreign objects or thrown from the machine.
- Never allow children to operate equipment.

PREPARE FOR EMERGENCIES

- Be prepared if a fire starts.
- Keep a first aid kit and fire extinguisher handy
- Keep emergency numbers for doctor, ambulance, hospital, and fire department near the phone.

WEAR PROTECTIVE EQUIPMENT

- Wear protective clothing and equipment appropriate for the job. Avoid loose-fitting clothing.
- Prolonged exposure to loud noise can cause hearing impairment or hearing loss. Wear suitable hearing protection such as earmuffs or earplugs.
- Operating equipment safety requires the full attention of the operator. Avoid wearing radio headphones while operating machinery.

AVOID HIGH-PRESSURE FLUIDS HAZARD

- Escaping fluid under pressure can penetrate the skin causing severe injury.
- Avoid the hazard by relieving pressure before disconnecting hydraulic lines or performing work on the system.
- Ensure all hydraulic fluid connections are tight and all hydraulic hoses and lines are in good condition before applying pressure to the system.
- Use a piece of paper or cardboard, NOT BODY PARTS, to check for suspected leaks.
- Wear protective gloves and safety glasses or goggles when working with hydraulic systems.
- If an accident occurs, see a doctor immediately. Remember, any fluid injected into the skin must be treated within a few hours, or gangrene may result

TIRE SAFETY

- Tire changing can be dangerous, and trained personnel should be the only ones using correct tools and equipment.
- When inflating tires, use a clip-on chuck and extension hose long enough to allow you to stand to one side and NOT in front of or over the tire assembly. Use a safety cage if available.
- When removing and installing wheels, use wheel handling equipment adequate for the weight involved

IMPORTANT SAFETY INFORMATION

SAFETY LABELS

Your Flail Mower comes equipped with all safety labels in place. They were designed to help you safely operate your implement. Read and follow the directions.

1. Refer to this section for proper label placement.
2. Some new equipment installed during repair requires safety labels to be affixed to the replace component as specified by . When ordering new components make sure the correct safety labels are included in the request.
3. Refer to this section for proper label placement. To install new labels:
 - a. Clean the area the label is to be placed.
 - b. Spray soapy water on the surface where the label is to be placed.
 - c. Peel backing from label. Press firmly onto the surface.
 - d. Squeeze out air bubbles with the edge of a credit card or with a similar type straight edge.





Danger: Rotating blades Both sides



reading



Nameplate

IMPORTANT SAFETY INFORMATION

INTRODUCTION

welcomes you to the growing family of new product owners. This Flail Mower has been designed with care and built by skilled workers using quality materials. Proper assembly, maintenance, and safe operating practices will help you get years of satisfactory use from this machine.

APPLICATION

The medium duty ATV120 Flail Mowers are designed and built to provide excellent cutting performance on gently sloping or slightly contoured right-of ways, roadsides, ditches, pastures, nurseries, and smaller fields of row crop debris, stalks, and residual agricultural growth. ATV120 equipped with a 25HP to 45HP tractor. Specially designed for cutting orchard, on both sides of highway slope, ditch.

This model equipped with fine cutting knives will perform extremely well cutting material up to 1" in diameter or provide a very respectable quality o cut for grooming yards, municipal parks, medians, and right of ways.

This model also can be equipped with forged hammer knives and heavy-duty brush rake teeth to make them well suited for nursery and agricultural applications where heavy grass, brush, pruning, saplings, small stumps, corn stocks, and other row crop debris are present. The rake teeth will gather and aggressively force material into the rotor hammer knives for a more complete pulverization.

USING THIS MANUAL

- This Operator's Manual is designed to help familiarize you with safety, assembly, operation, adjustments, troubleshooting, and maintenance. Read this manual and follow the recommendations to help ensure safe and efficient operation.
- The information contained within this manual was current at the time of printing. Some parts may change slightly to assure you of the best performance.
- To order a new Operator's or Parts Manual contact your authorized dealer. Manuals can also be downloaded, free-of-charge from our website at www..com.

TERMINOLOGY

"Right" or "Left" as used in this manual is determined by facing the direction the machine will operate when used unless otherwise stated.

DEFINITIONS

IMPORTANT: A special point of information related to the following topic. MATENG's intention is this information must be read & noted before continuing.

NOTE: A special point of information that the operator should be aware of before continuing.

OWNER ASSISTANCE

The Online Warranty Registration or Warranty Registration card should be completed by the dealer at the time of purchase. This information is too necessary provide you with quality customer service.

The parts on your Flail Mower have been specially designed by and should only be replaced with genuine parts. Contact a dealer if customer service or repair parts are required. Your dealer has trained personnel, repair parts, and equipment needed to service the implement.

SERIAL NUMBER

Model No. _____ **Serial No.** _____ For quick reference and prompt service, record model and serial number in the spaces provided above and again on warranty page 38. Always provide model and serial number when ordering parts and in all correspondences with your dealer. Refer to Figure 1 for location of your serial number plate.



Serial Number Plate Location
Figure 1

FURTHER ASSISTANCE

Your dealer wants you to be satisfied with your new Mowers. If for any reason you do not understand any part of this manual or are not satisfied with the service received, the following actions are suggested:

1. Discuss the matter with your dealership service manager making sure that person is aware of any problems you may have and has had the opportunity to assist you.
2. If you are still not satisfied, seek out the owner or general manager of the dealership, explain the problem, and request assistance.
3. For further assistance write

SECTION 1: ASSEMBLY & SET-UP

TRACTOR REQUIREMENTS

Tractor horsepower and hitch category should be within the range noted below. Tractors outside the horsepower range must not be used. The lower 3- Point arms must be stabilized to prevent side-to-side movement. Most tractors have sway blocks or adjustable chains for this purpose.

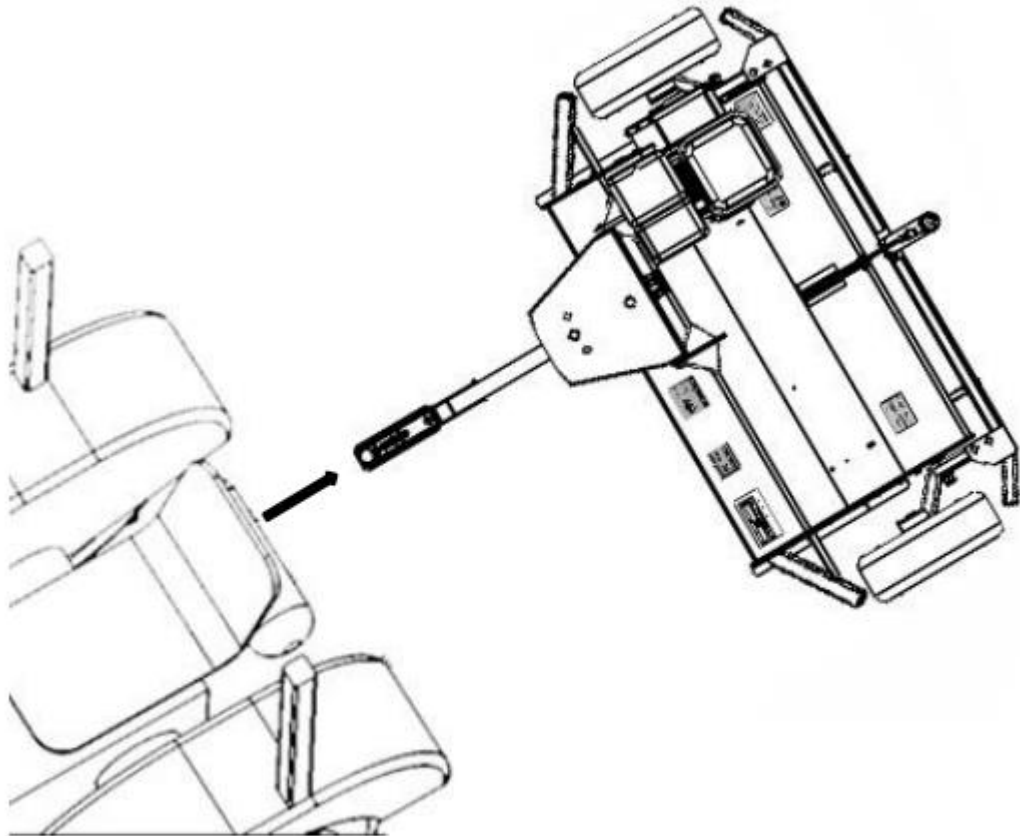
Horsepower Rating25-45 HP

Tractor Weight See Important Note Below

TRACTOR HOOK-UP

Refer to Figure 1-2:

1. Ensure that the three-point suspension bar of the tractor does not affect the interference between the machine and the tow bar. Remove the three-point suspension bar if necessary.
2. Connect the towing hook of the machine to the towing frame of the tractor.



**Tractor Hook-Up
Figure 1-2**

SECTION 2: OPERATING INSTRUCTIONS

PRE-START CHECKLIST

Hazard control and accident prevention are dependent upon the awareness, concern, prudence, and proper training involved in the operation, transport, storage, and maintenance of the Mowers. Therefore, it is absolutely essential that no one operates the poultry litter Crusher without first having read, fully understood, and Become totally familiar with the Operator's Manual. Make sure the operator has read and paid particular attention to:

- **Important Safety Information**
- **Section 1: Assembly & Set-up**
- **Section 2: Operating Instructions**
- **Section 3: Adjustments**
- **Section 4: Maintenance & Lubrication**

Make sure the operator has completed the Operating Checklist below.

✓	Check	
	Read and follow all Safety Information carefully. Refer to "Important Safety Information".	
	Make sure all guards and shields are in place. Refer to "Important Safety Information".	
	Read and made all required adjustments. Refer to "Section 3: Adjustments".	
	Read and follow all operating procedures. Refer to "Section 2: Operating Instructions".	
	Read and follow all Maintenance Instructions. Refer to "Section 4: Maintenance & Lubrication".	
	Read and follow all Lubrication Instructions. Refer to "Lubrication Points".	
	Check Mowers initially and periodically for loose bolts and pins. Be sure all lock nut s and bolts are tight. Especially make sure blade bolts are tight. Refer to "Torque Values Chart for Common Bolt Sizes".	

TRACTOR SHUT DOWN PROCEDURE

It is essential that the tractor be shut down as noted below before making any inspections, maintenance and/or repairs to the tractor and/or Mowers.

1. Park tractor on a level surface.
 - a. **Don't work under or around an implement parked on a steep incline.**
2. Place tractor in park and set park brake.
3. Shut engine off and remove switch key.
4. Wear safety glasses.

TRANSPORTING

! CAUTION

When traveling on public roads whether at night or during the day, use accessory light and devices for adequate warning to operators of other vehicles. Comply with all federal, state, and local laws.

1. Be sure to reduce tractor ground speed when turning, leaving enough clearance so that the Mowers does not contact obstacles such as buildings, trees, or fences.
2. Select a safe ground travel speed when transporting from one area to another. When traveling on roadways, transporting such a way that faster moving vehicles may pass safely.
3. When traveling over rough or hilly terrain, shift tractor to a lower gear.

SAFETY INFORMATION

! DANGER

The engine must be stopped and the blades at a standstill before adjusting to the transport position.

! DANGER

Never carry a person on the Mowers. A rider can fall or become entangled in the machine causing serious injury or death.

! DANGER

Do not operate and/or travel across steep inclines where a tractor can roll-over resulting in serious injury or death. Consult your tractor's manual for acceptable inclines the tractor can travel across.

! DANGER

Do not use Mowers to lift or carry objects. Lifting and/or carrying objects can result in damage to the Mowers, serious bodily injury, or death.

! DANGER

Do not use Mowers as a working platform. The Mowers is not properly designed or guarded for this. Using the Mowers as a working platform can cause serious injury or death.

WORKING INSTRUCTIONS

1. Clear area to be worked of objects and debris that might be picked up and thrown by the Mowers blades. Do not use Mowers on stony ground.
2. Make the following machine checks before operating the Mowers.
 - a. All hook-up pins should be secured.
 - b. All shields should be in place and secured.
 - c. All bolts and lock nuts should be present and tight.
 - d. Make sure the blades are not broken or loose.

OPERATING INSTRUCTIONS

Proper servicing and adjustments are the key to the long life of any machine. With careful and systematic inspection of the Mowers, costly maintenance, time, and repair can be avoided.

! BEFORE BEGINNING TO WORK, THE FOLLOWING INSPECTION AND CHECKS SHOULD BE PERFORMED:

1. Be sure all Mowers blades, bolts, and lock nuts are tight.
2. Be certain all guards and shields are in place and secure.
3. Grease driveline shaft and all other grease fittings.
4. Clear area to be worked of rocks, branches, and other foreign objects. Do not use Mowers on stony ground.
5. After working the first 50 feet, stop and check to see that the Mowers is adjusted properly.
6. Do not make sharp turns or attempt to back up while Mowers is on the ground.
7. Never work close to or on steep slopes.
8. Do not allow anyone including yourself near the Mowers when it is operating.

GENERAL OPERATING INSTRUCTIONS

It's now time to do a running operational safety check. If at any time during this safety check you detect a malfunction in either the Mowers or tractor, shut the tractor off immediately, remove the key, and make necessary repairs or adjustments before continuing.

Ensure the tractor is stopped and the lawn mower is connected to the tractor. Minimize the throttle modulation of the gasoline engine. Use the key to start the engine and gradually increase the throttle, ensuring the engine speed increases; when the engine speed is 2000r/min, and the cutter shaft clutch is closed, the cutter shaft will start to work. The engine speed will reach the maximum torque when the operating speed is 2800r/min. It is recommended to use this speed for maximum working resistance. The higher the engine speed, the easier it is for the blade to cut the grass. You should now be ready to move to the crushing site to begin working. It would be best if you had inspected and should only be Crushing in an area you are familiar with, which is relatively free of debris and unseen objects. Never assume an area is clear. If you strike an object, stop the tractor and Mowers immediately to inspect the rotor and make any necessary repairs before resuming operation. It pays to check a new area and to develop a plan before you cut. The average working speed will be between 2-5 mph.

Generally, the cut quality will be better at lower ground speeds and crushing denser ground cover or heavier brush may create the need to slow down. Always cut downward on slopes and avoid crossing the face of steep slopes. Avoid sharp drop sand cross diagonally through dips to prevent

hanging up the tractor and Mowers. Slowdown in turns and avoid sharp turns if possible. Remember to look back often.

SECTION 3: ADJUSTMENTS

! CAUTION

1. Engage parking brake, shut off tractor, remove key.
2. Ensure Mowers with special supports if it is necessary to lift Mowers off the ground to adjust! If not supported, the Mowers

LEVELING THE MOWERS

Adjust the height of the lawn mower by adjusting the tires

1. Park tractor and Mowers on a flat level surface.
2. Adjust the handle of the lawn mower tire, first adjust one side to the specified height, and then adjust the handle on the other side reaches the specified height.
3. Ensure that the lower arms are stabilized to prevent excessive side movement.
4. Adjust the screw on the traction frame and adjust the front and rear inclination of the machine.

BELT TENSION ADJUSTMENT

! WARNING

Excessive tension on the belt may lead to premature failure of belt and drive components. Excessive tension on the belt may also lead to a safety hazard to the operator or bystanders.

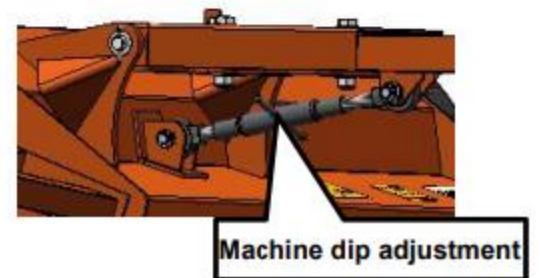
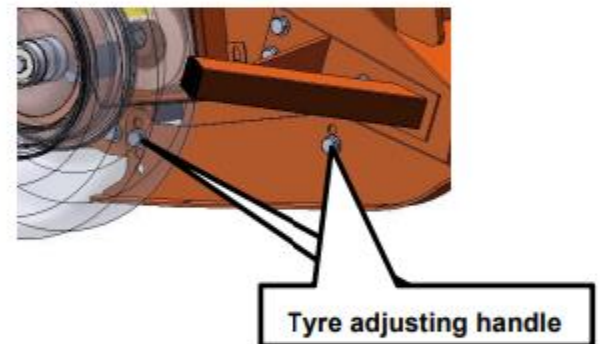
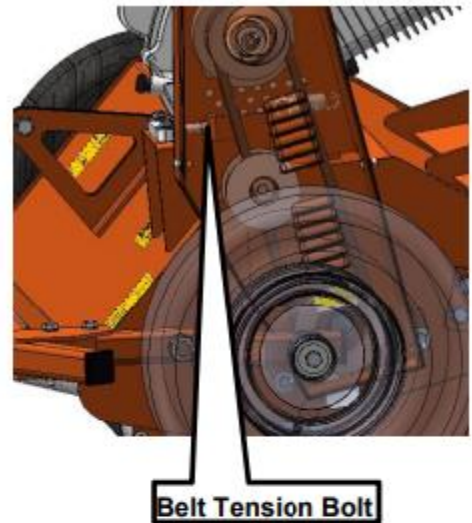
The Belt tension should be checked after the first 20 hours of use and every 40 hours thereafter.

1. Check belt tension by applying approximately 22 pounds of pressure halfway between the pulleys. The belt should deflect approximately 3/8".
2. Belt tension can be adjusted at the belt tension bolt. Turn belt tension bolt until desired belt tension is achieved.

CRUSHING HEIGHT ADJUSTMENT

The machines cutting height depends upon the position of Adjustment plate.

1. Remove bolts that fix the roller height on both sides.
2. Lift or lower both sides of roller unequal measurements.
3. Replace bolts and re-tighten to the proper torque



SECTION 3: ADJUSTMENTS

BATTERY WIRING METHOD



We connect the power cord according to the way in the picture, so that it will be very convenient for users to use.

SECTION 3: ADJUSTMENTS

ROTOR BLADE REPLACEMENT

Frequently check rotor blades to make sure they are in good working condition and properly secured to the rotor. Replace worn or damaged parts with new blades.

IMPORTANT:

Make sure that the replacement of blade with other same weight. This will be a balance of rotor spinning.

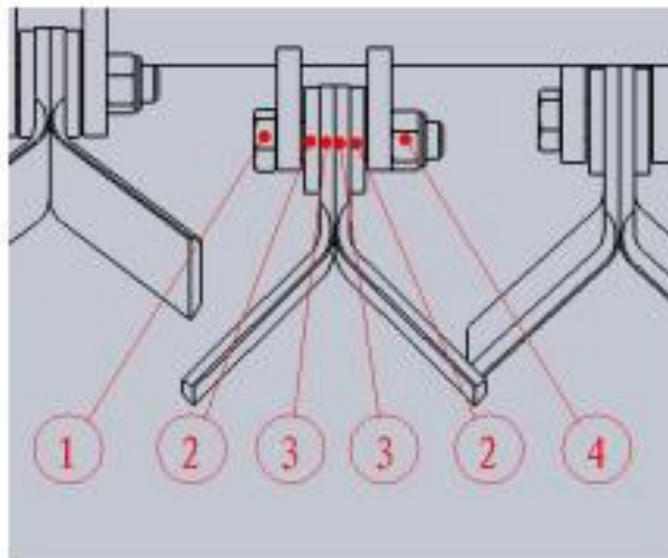
IMPORTANT:

The replaced blade must be the original factory accessories

The blade has a crushing edge on both the leading and trailing edges. When the leading edge wears out, turn existing pair of blades around 180 degrees and reinstall. Replaced blade should be the same length as existing part to maintain rotor balance.

ATV120 SERIES BLADE REPLACEMENT

1. REMOVE NUT (#4), BOLT (#1), and SPACER (#2) for Y type blade system.
2. Remove existing blades or turn existing pair of blades around 180 degrees and reinstall.
3. Install blade with existing bolt, washers, and locknut.
4. Tighten locknut with correct torque.



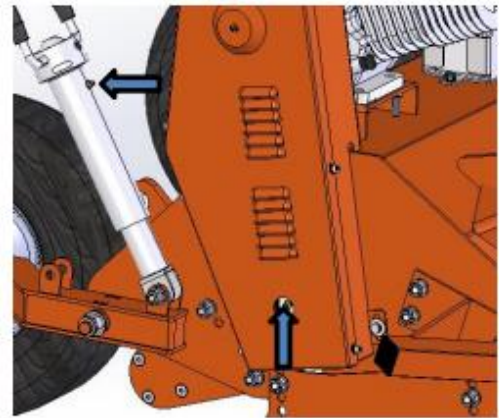
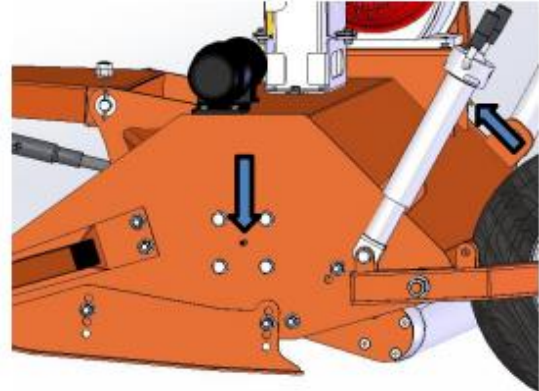
SECTION 4: MAINTENANCE & LUBRICATION

STORAGE

It is good practice to clean off any dirt and grease that may have accumulated on the Mowers and to inspect and make necessary repairs before parking the unit at the end of the working season and for long periods. This will help ensure that the Mowers will be ready for use the next time you hook-up to it.

1. Remove any dirt and grease that may have accumulated on the Mowers and moving parts Scrape off compacted dirt from under the hood and then wash the surface thoroughly with a garden hose.
2. Check rotor blade and blade bolts for wear and replace if necessary. See “Rotor blade Replacement” on
3. Inspect Mowers for loose, damaged, or worn parts and adjust or replace as needed.
4. Repaint parts where paint is worn or scratched to prevent rust. Ask your dealer for aerosol touch-up paint It is also available in touch-up bottles with brush, quarts, and gallon sizes by adding TU, QT, or GL to the end of the aerosol part number.
5. Replace all damaged or missing labels.
6. A light coat of oil or grease may also be applied to areas where paint has worn off to minimize oxidation. 7. Lubricate as noted under “Lubrication Points”.
7. Store equipment on a level surface in a clean, dry place. Inside storage will reduce maintenance and make for a longer mower life. Ensure that the main frame is stable.
8. Store drivelines end off the ground.

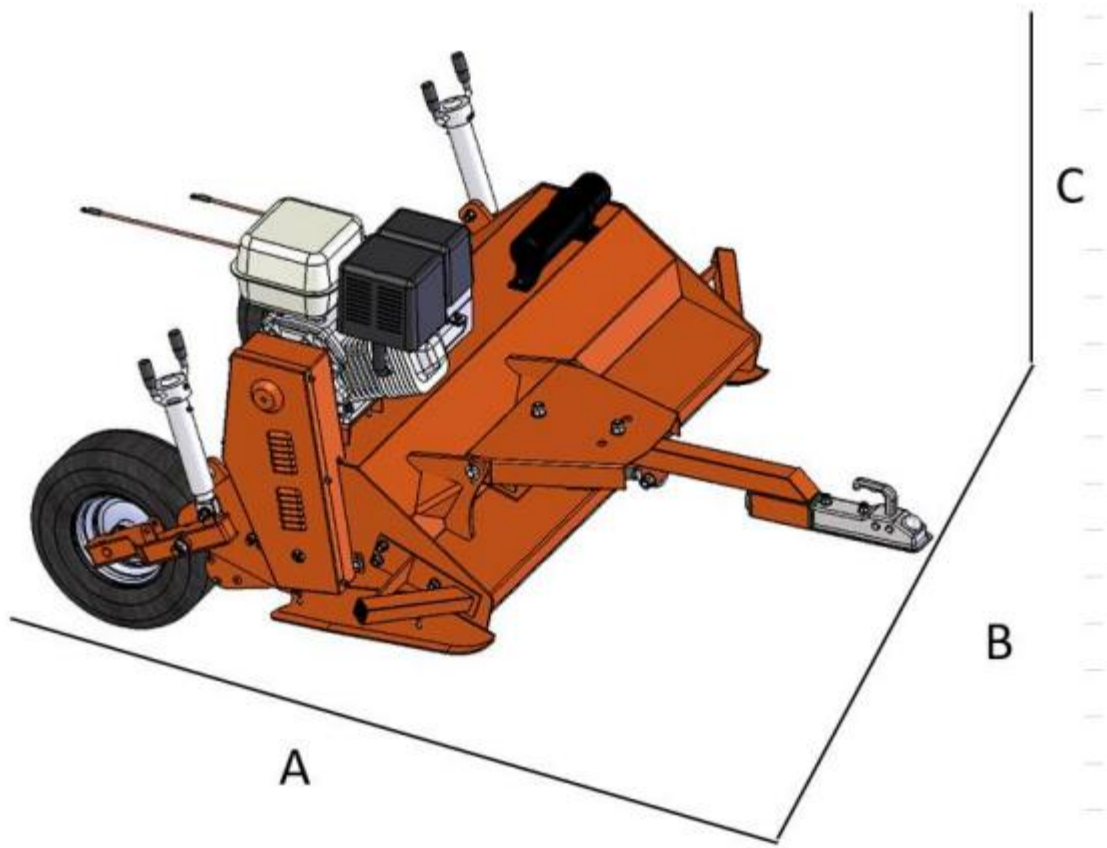
MACHINE BEARING LUBRICATION

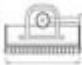








Type of Lubrication: Multi-purpose Grease

The shaft end bearing

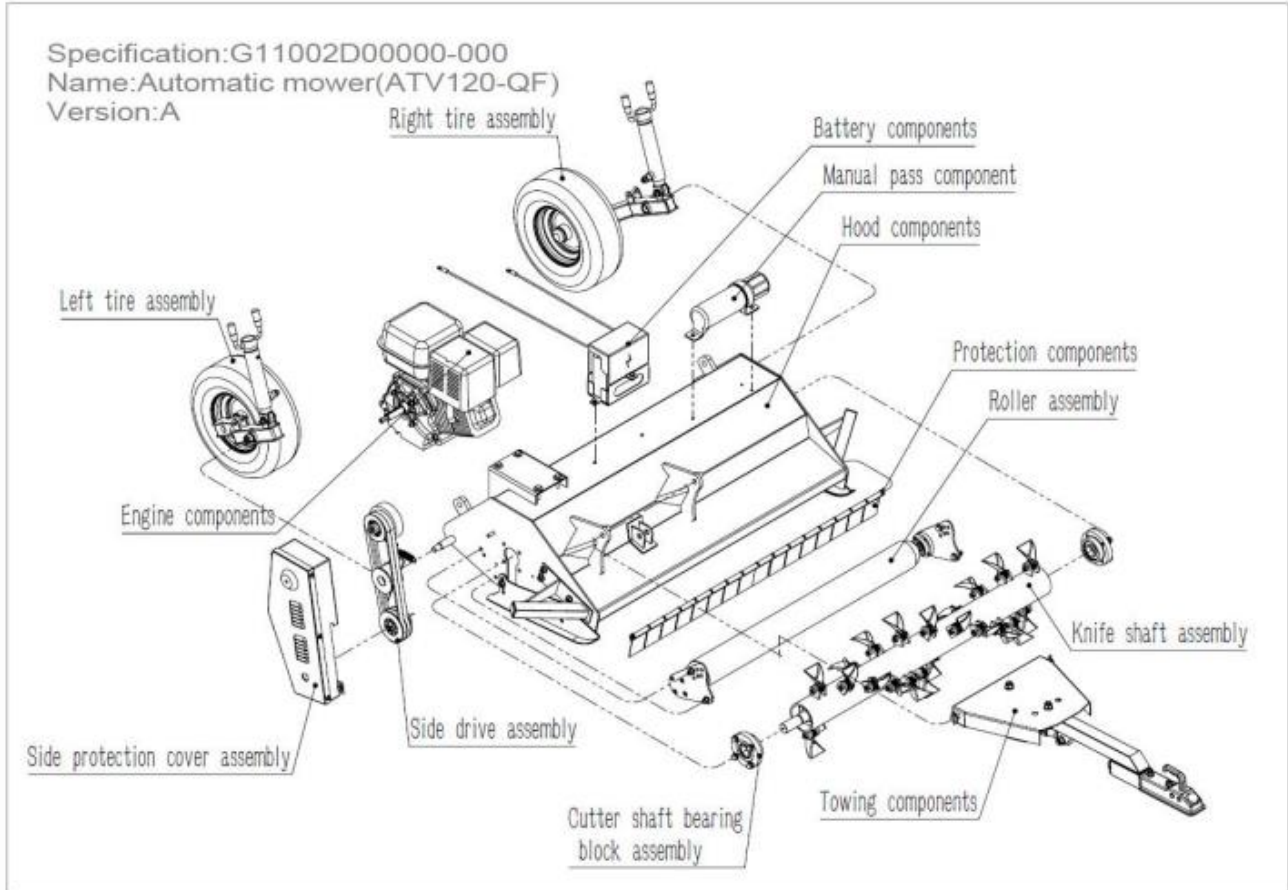
SECTION 5: DETAILED PARAMETERS



Model	A	B	C									
	cm	cm	cm	cm	RPM	A mm	B mm	V m/s	N	N	kg	HP
ATV120QF	166	198	86	120	2600	108	316	43	56	2	250	13.5

SECTION 6: PARTS LIST

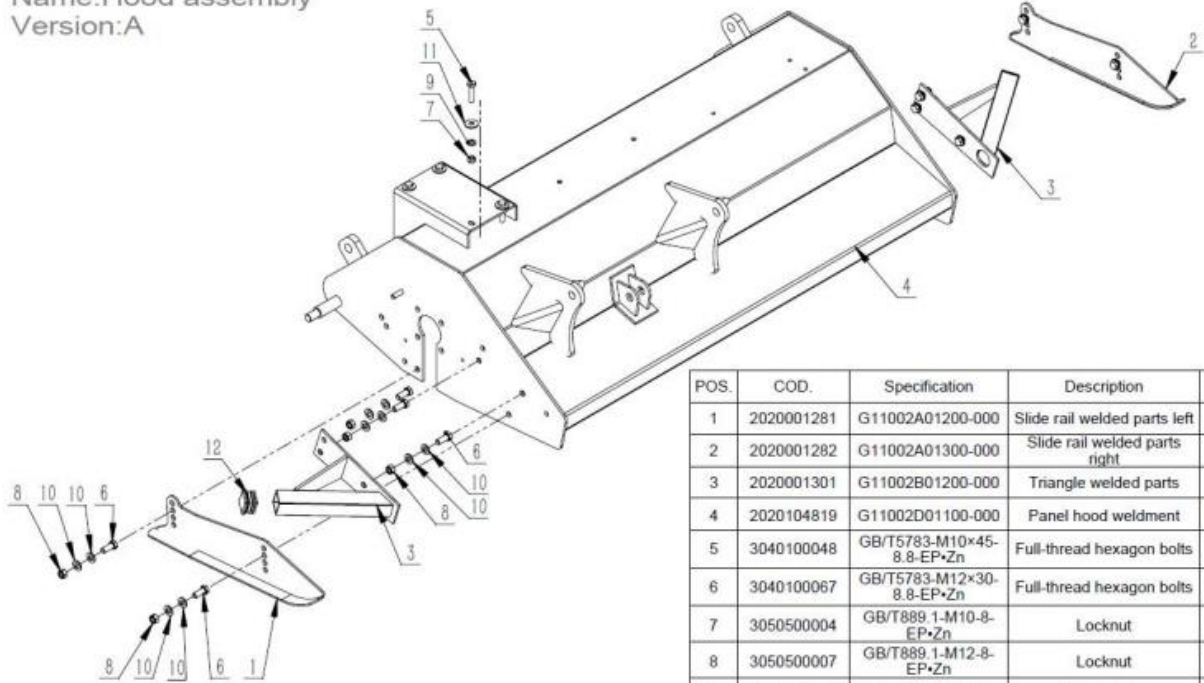
Page No. 1



SECTION 6: PARTS LIST

Page No. 2

Specification:G11002D01000-000
Name:Hood assembly
Version:A

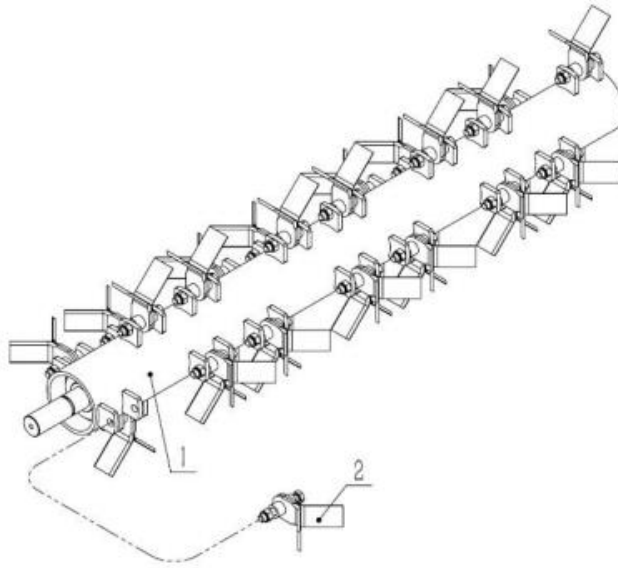


POS.	COD.	Specification	Description	Qty
1	2020001281	G11002A01200-000	Slide rail welded parts left	1
2	2020001282	G11002A01300-000	Slide rail welded parts right	1
3	2020001301	G11002B01200-000	Triangle welded parts	2
4	2020104819	G11002D01100-000	Panel hood weldment	1
5	3040100048	GB/T5783-M10×45-8.8-EP•Zn	Full-thread hexagon bolts	4
6	3040100067	GB/T5783-M12×30-8.8-EP•Zn	Full-thread hexagon bolts	10
7	3050500004	GB/T889.1-M10-8-EP•Zn	Locknut	4
8	3050500007	GB/T889.1-M12-8-EP•Zn	Locknut	10
9	3080100006	GB/T95-10-EP•Zn	Plain washer	4
10	3080100007	GB/T95-12-EP•Zn	Plain washer	20
11	3080200009	GB/T96.2-10-EP•Zn	Large plain washer	4
12	3210200004	41×41	Square Pipe Plug	2

SECTION 6: PARTS LIST

Page No. 3

Specification:G11002E02000-000
 Name:Ordinary shaft + small Y blade
 Version:A



POS.	COD.	Specification	Description	Qty
1	2020001826	G11002D02100-000	Knife shaft welding	1
2	2060205042	G11002E02100-000	Ordinary knife shaft small Y blade assembly	28

SECTION 6: PARTS LIST

Page No. 4

Specification:G11002E02100-000
 Name:Ordinary knife shaft small Y blade assembly
 Version:A

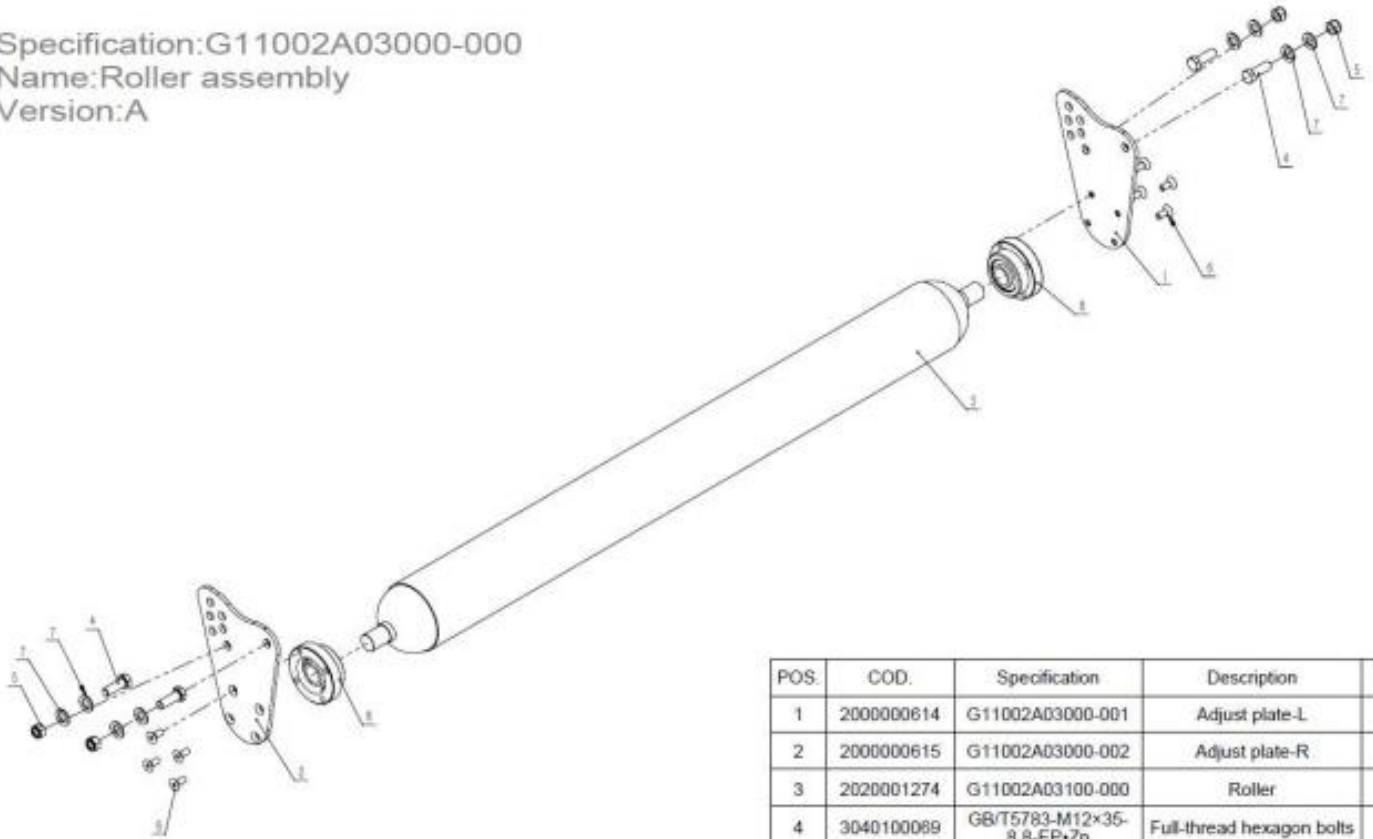
The diagram shows an exploded view of a knife shaft assembly. Part 2 is a long hexagonal bolt. Part 1 is a spacer. Part 4 is a blade. Part 3 is a locknut. The assembly consists of two blades (4) mounted on a central shaft (2) using spacers (1) and locknuts (3).

POS.	COD.	Specification	Description	Qty
1	2010005065	G11002E02100-001	Spacer	2
2	3040300029	GB/T5782-M12×80-10.9-O	Hexagon head bolts	1
3	3050500007	GB/T889.1-M12-8-EP•Zn	Locknut	1
4	3220100027	MT02011	Blade	2

SECTION 6: PARTS LIST

Page No. 5

Specification: G11002A03000-000
 Name: Roller assembly
 Version: A



POS.	COD.	Specification	Description	Qty
1	2000000614	G11002A03000-001	Adjust plate-L	1
2	2000000615	G11002A03000-002	Adjust plate-R	1
3	2020001274	G11002A03100-000	Roller	1
4	3040100089	GB/T5783-M12×35-8.8-EP-Zn	Full-thread hexagon bolts	4
5	3050500007	GB/T899.1-M12-8-EP-Zn	Locknut	4
6	3060200018	GB/T70.3-M8×20-8.8-EP-Zn	HSCS-Countersunk	8
7	3080100007	GB/T95-12-EP-Zn	Plain washer	8
8	3100700006	GB/T7810-UCC205-B	Outer Spherical Ball Bearing with Seat	2

SECTION 6: PARTS LIST

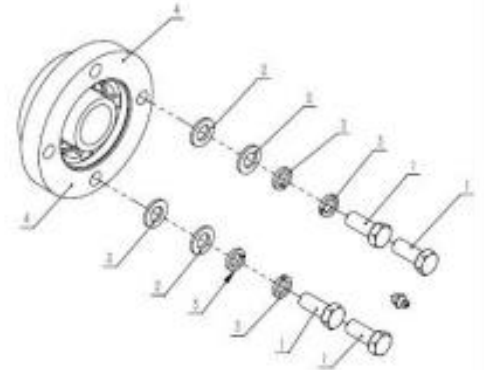
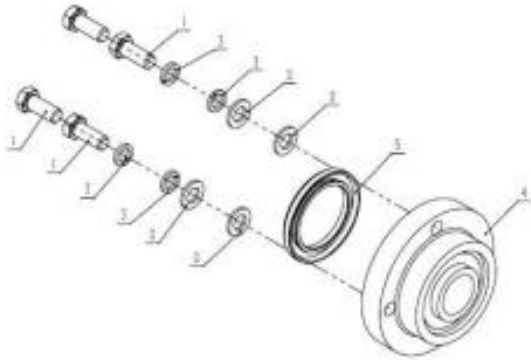
Page No. 6

Specification:G11002A04000-000

Name:

Cutter shaft bearing block assembly

Version:A

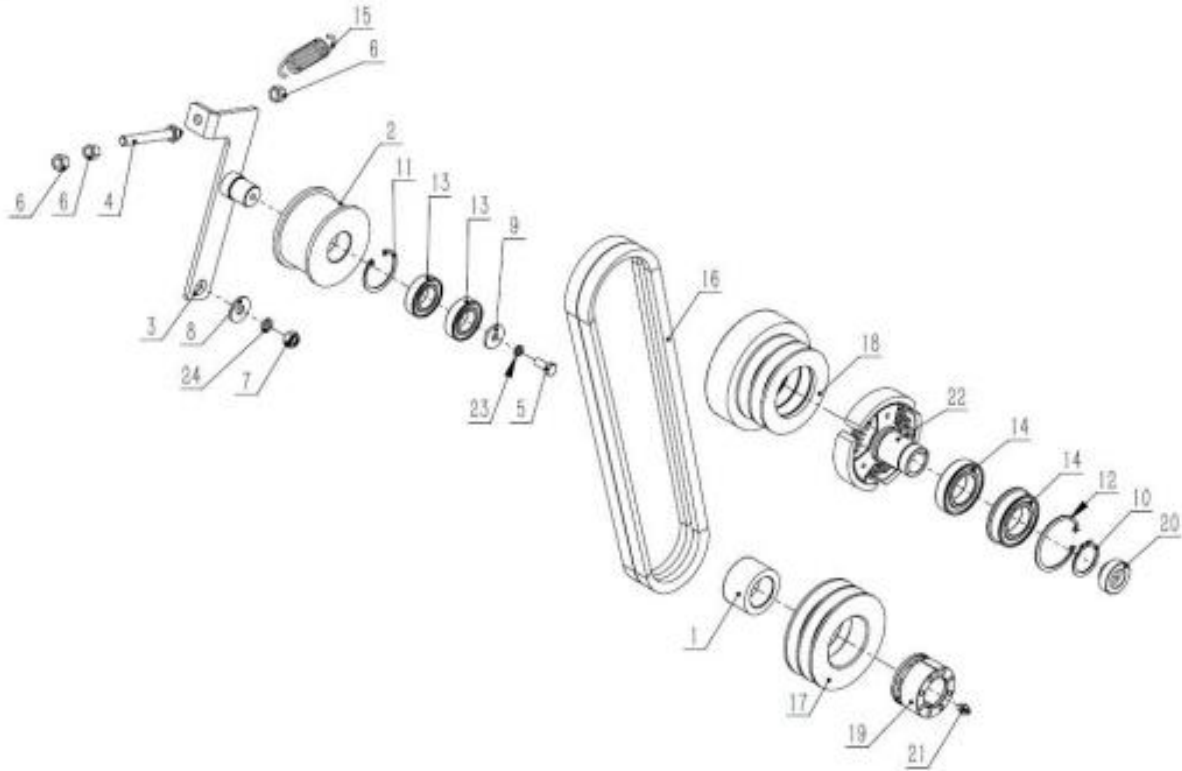


POS.	COD.	Specification	Description	Qty
1	3040100067	GB/T5783-M12×30-8.8-EP•Zn	Full-thread hexagon bolts	8
2	3080100007	GB/T95-12-EP•Zn	Plain washer	8
3	3080500009	GB/T93-12-EP•Zn	Spring washer	8
4	3100700008	GB/T7810-UCC207	Outer Spherical Ball Bearing with Seat	2
5	3170100046	GB/T13871.1-FB-55×80×8-NBR	shaft seal	1
6	3170400003	JB/T7940.1-M8×1	Grease nipple	1

SECTION 6: PARTS LIST

Page No. 7

Specification:G11002C07000-000
Name:Side drive assembly
Version:D



SECTION 6: PARTS LIST

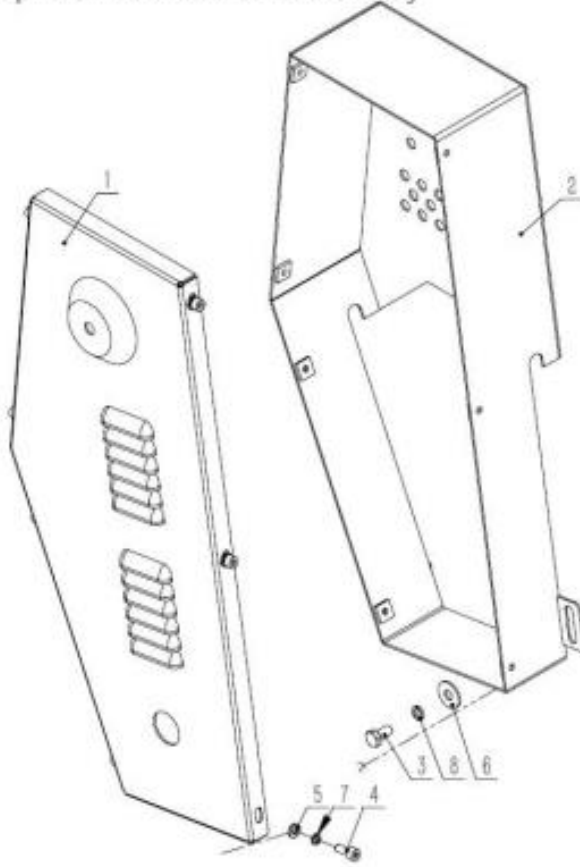
Page No. 8

POS.	COD.	Specification	Description	Qty
1	2010000472	G11002A07000-004	Bushing	1
2	2010000474	G11002A07000-005	Tensioner	1
3	2020001280	G11002A07100-000	Tensioner bracket welded parts	1
4	2020001287	G11002A07200-000	Bolt tie rod welded parts	1
5	3040100022	GB/T5783-M8×20-8.8-EP•Zn	Full-thread hexagon bolts	1
6	3050100005	GB/T41-M10-5-EP•Zn	Hexagon Nuts	3
7	3050500004	GB/T889.1-M10-8-EP•Zn	Locknut	1
8	3080200009	GB/T96.2-10-EP•Zn	Large plain washer	1
9	3080300003	GB/T5287-8-EP•Zn	Extra Large plain washer	1
10	3080700023	GB/T894-35-A	Retaining rings for shaft	1
11	3080600030	GB/T893-47-A	Retaining rings for borP	1
12	3080600038	GB/T893-62-A	Retaining rings for borP	2
13	3100100020	GB/T276-6005-2Z	Deep groove ball bearing	2
14	3100100024	GB/T276-6007-2Z	Deep groove ball bearing	2
15	3110100017	L I -3.5×22×79×13-R-65Mn-EP•Zn	Spring	1
16	3160300657	NAURENCE-17X1060	Belt	2
17	3160400041	G11002A07000-003	Driven wheel	1
18	3160400047	G11002A07000-001	Drive pulley	1
19	3160500001	Z3A-35×60	Expanding sleeve	1
20	2010000473	G11002A07000-002	Driving pulley fixing part	1
21	3170400003	JB/T7940.1-M8×1	Grease nipple	1
22	3161100005	ATV120-111	Clutch HZR96.7	1
23	3080500007	GB/T93-8-EP•Zn	Spring washer	1
24	3080500008	GB/T93-10-EP•Zn	Spring washer	1

SECTION 6: PARTS LIST

Page No. 9

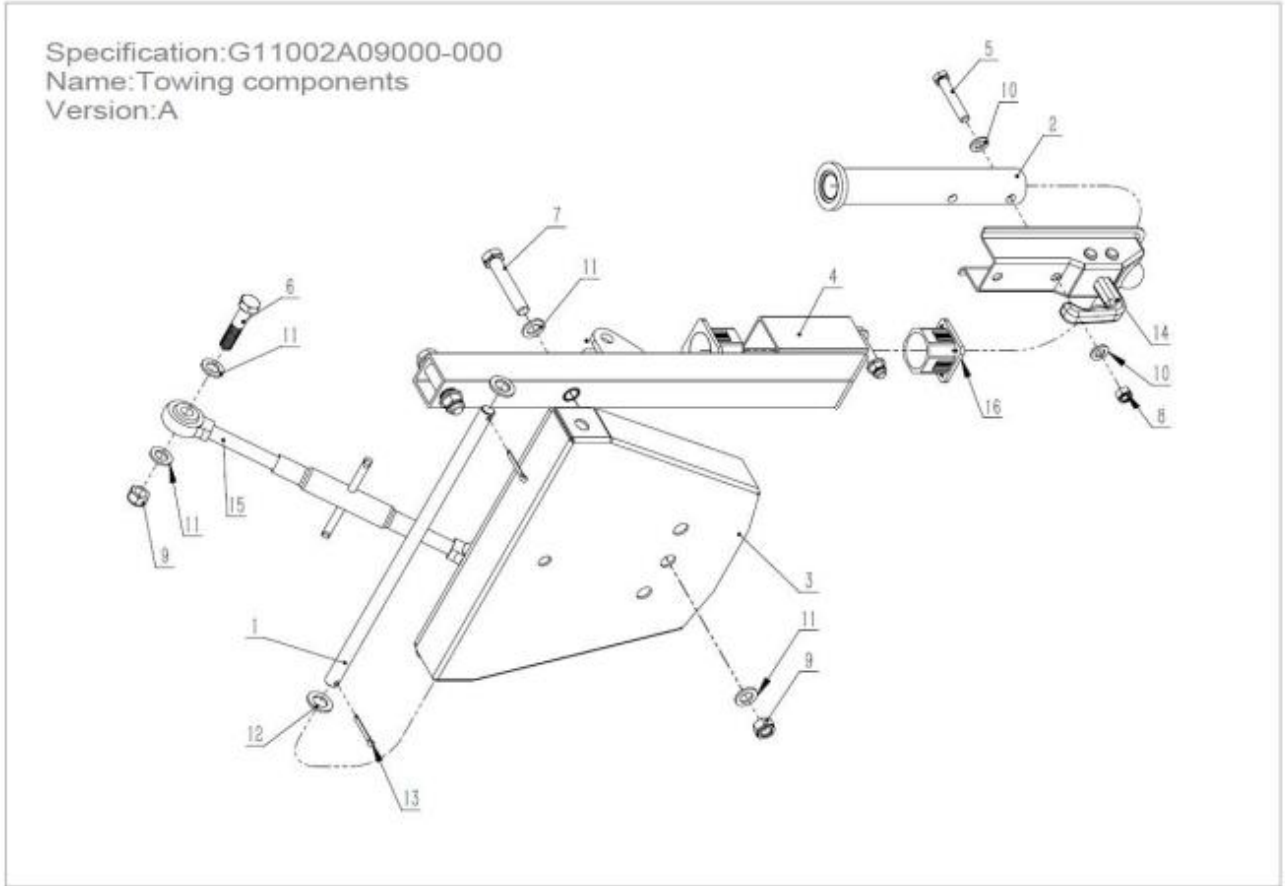
Specification: G11002C08000-000
 Name: Side protection cover assembly
 Version: A



POS.	COD.	Specification	Description	Qty
1	200000619	G11002C08000-001	Cover	1
2	2020001285	G11002C08100-000	Belt shield welded parts	1
3	3040100021	GB/T5783-M8×16-8.8-EP-Zn	Full-thread hexagon bolts	2
4	3060100014	GB/T70.1-M6×16-8.8-EP-Zn	Hexagon socket head cap screws	7
5	3080100003	GB/T95-6-EP-Zn	Plain washer	7
6	3080200008	GB/T96.2-8-EP-Zn	Large plain washer	2
7	3080500006	GB/T93-6-EP-Zn	Spring washer	7
8	3080500007	GB/T93-8-EP-Zn	Spring washer	2

SECTION 6: PARTS LIST

Page No. 10



SECTION 6: PARTS LIST

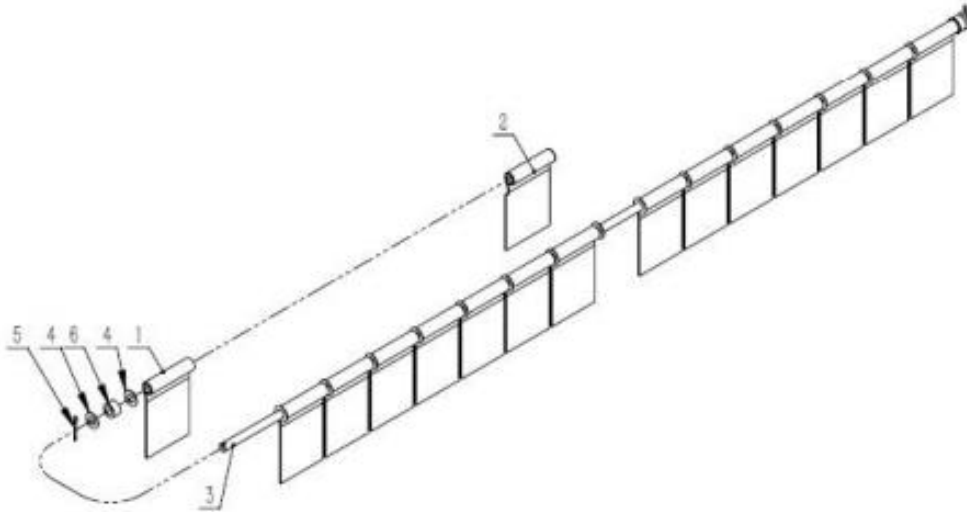
Page No. 11

POS.	COD.	Specification	Description	Qty
1	2010000476	G11002A09000-002	Shaft	1
2	2020001275	G11002A09300-000	Connecting pipe welded parts	1
3	2020001283	G11002A09100-000	Connecting arm welded parts	1
4	2020001284	G11002A09200-000	Adjust the suspension welded parts	1
5	3040300024	GB/T5782-M12×70-8.8-EP•Zn	Hexagon head bolts	2
6	3040300053	GB/T5782-M16×70-8.8-EP•Zn	Hexagon head bolts	2
7	3040300060	GB/T5782-M16×90-8.8-EP•Zn	Hexagon head bolts	2
8	3050500007	GB/T889.1-M12-8-EP•Zn	Locknut	2
9	3050500009	GB/T889.1-M16-8-EP•Zn	Locknut	4
10	3080100007	GB/T95-12-EP•Zn	Plain washer	4
11	3080100009	GB/T95-16-EP•Zn	Plain washer	8
12	3080100010	GB/T95-18-EP•Zn	Plain washer	2
13	3120100107	GB/T91-5×40	Split pin	2
14	3130500003	50×50"型	Hitch ball coupler	1
15	3130500004	G11001A09300-001	Adjust the lever	1
16	3210500005	G11002A09000-001	Bushing	2

SECTION 6: PARTS LIST

Page No. 12

Specification:G11002A10000-000
 Name:Protection components
 Version:B

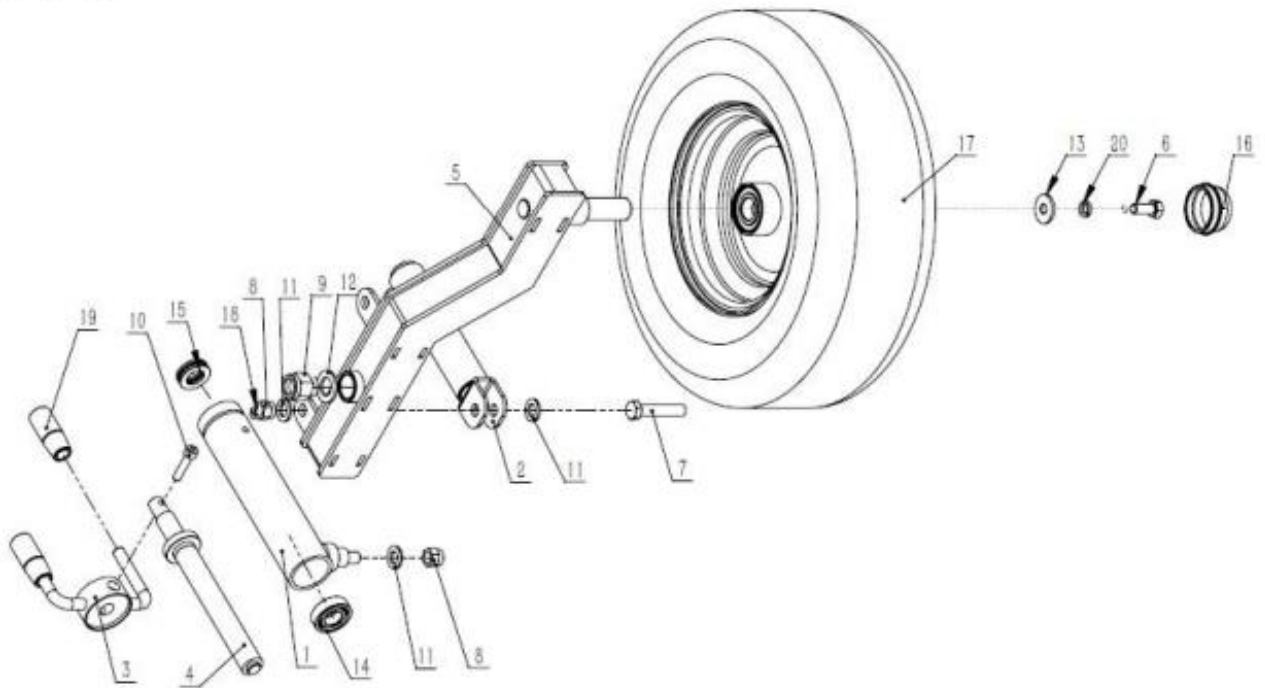


POS.	COD.	Specification	Description	Qty
1	200000616	G11002A10000-002	Baffle	15
2	200000617	G11002A10000-003	Baffle	1
3	2010000475	G11002A10000-001	Baffle shaft	1
4	3080100005	GB/T95-10-EP×Zn-1	Plain washer	19
5	3120100075	GB/T91-3.2×25	Split pin	2
6	2010000018	F01037A10000-001	Spacer	2

SECTION 6: PARTS LIST

Page No. 13

Specification: G11002B13000-000
Name: Right tire assembly
Version: C



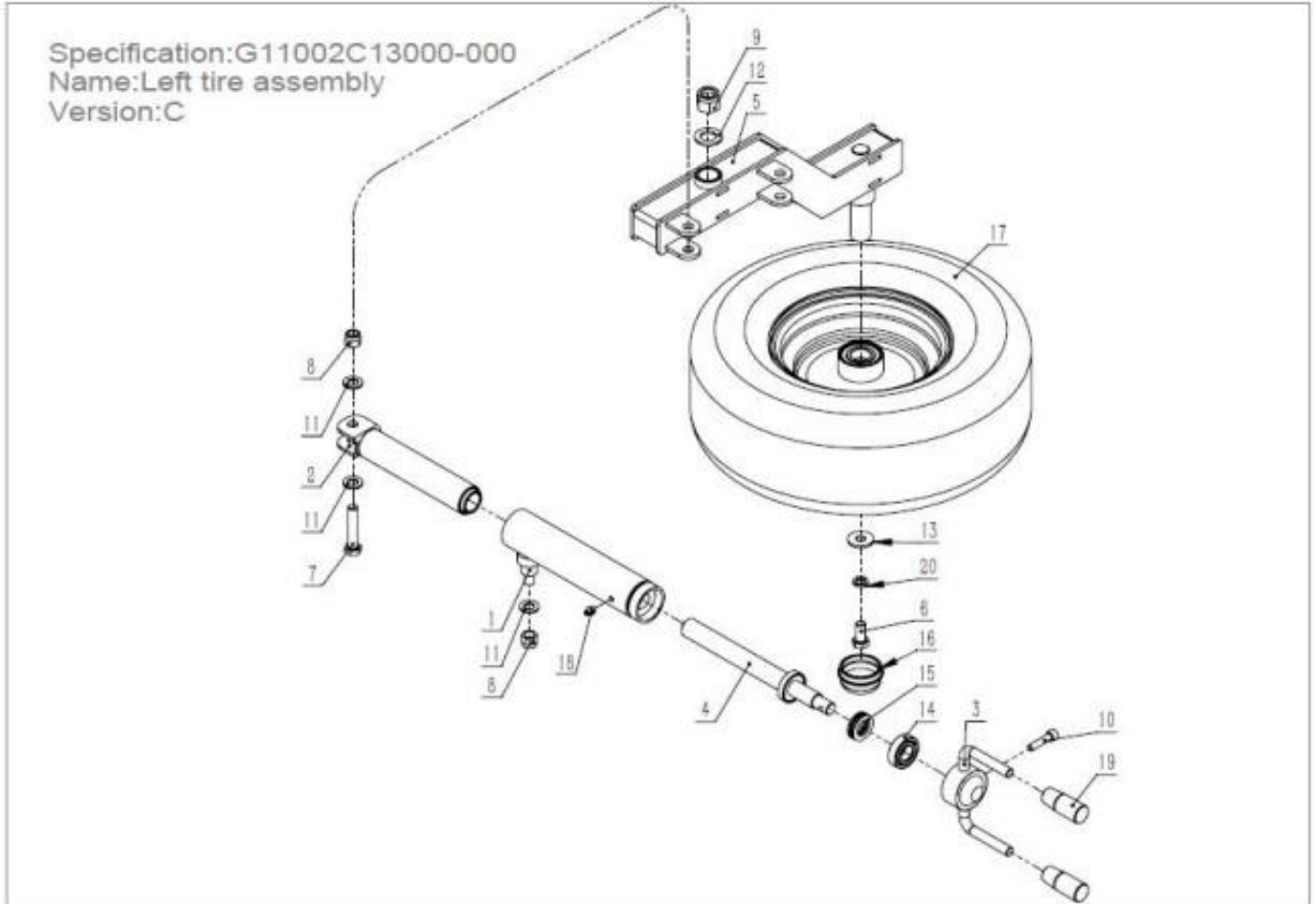
SECTION 6: PARTS LIST

Page No. 14

POS.	COD.	Specification	Description	Qty
1	2020001293	G11002B13400-000	Outer pipe welded parts	1
2	2020001295	G11002B13300-000	Inner tube welded parts	1
3	2020001296	G11002B13100-000	Handle welded parts	1
4	2020001297	G11002B13500-000	Threaded rod welded parts	1
5	2020004905	G11002B13200-000	Wheel connecting arm	1
6	3040100065	GB/T5783-M12×25-8.8-EP•Zn	Full-thread hexagon bolts	1
7	3040100075	GB/T5783-M12×60-8.8-EP?Zn	Full-thread hexagon bolts	1
8	3050500007	GB/T889.1-M12-8-EP•Zn	Locknut	2
9	3050500010	GB/T889.1-M18-8-EP•Zn	Locknut	1
10	3060100029	GB/T70.1-M8×35-8.8-EP•Zn	Hexagon socket head cap screws	1
11	3080100007	GB/T95-12-EP•Zn	Plain washer	3
12	3080100010	GB/T95-18-EP•Zn	Plain washer	1
13	2000005474	G11002D13000-001	Wheel mounting gasket	1
14	3100100017	GB/T276-6004	Deep groove ball bearing	1
15	3100400001	GB/T301-51104	Thrust ball bearing	1
16	3140200009	Φ52	Dust cover	1
17	3140200026	8 16×6.5-SLDPRT	Dust cover	1
18	3170400003	JB/T7940.1-M8×1	Grease nipple	1
19	3210500004	G11001A05000-006	The gloves	2
20	3080500009	GB/T93-12-EP•Zn	Spring washer	1

SECTION 6: PARTS LIST

Page No. 15



SECTION 6: PARTS LIST

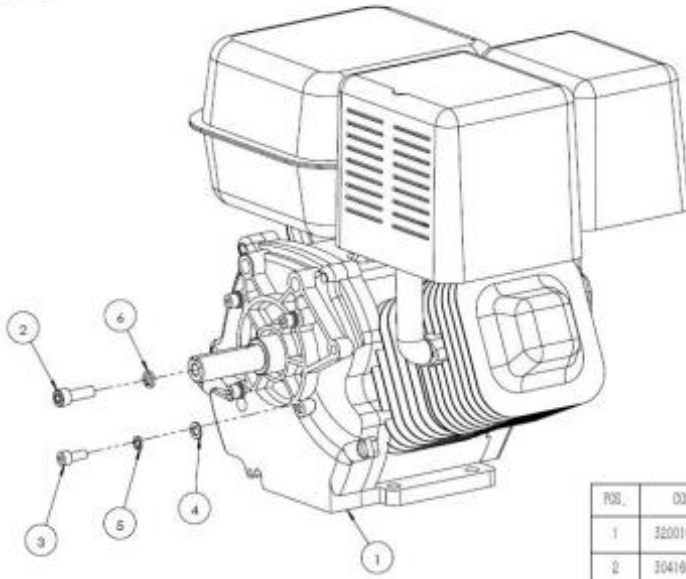
Page No. 16

POS.	COD.	Specification	Description	Qty
1	2020001293	G11002B13400-000	Outer pipe welded parts	1
2	2020001295	G11002B13300-000	Inner tube welded parts	1
3	2020001296	G11002B13100-000	Handle welded parts	1
4	2020001297	G11002B13500-000	Threaded rod welded parts	1
5	2020004904	G11002C13100-000	Wheel arm welded parts	1
6	3040100065	GB/T5783-M12×25-8.8-EP•Zn	Full-thread hexagon bolts	1
7	3040100075	GB/T5783-M12×60-8.8-EP?Zn	Full-thread hexagon bolts	1
8	3050500007	GB/T889.1-M12-8-EP•Zn	Locknut	2
9	3050500010	GB/T889.1-M18-8-EP•Zn	Locknut	1
10	3060100029	GB/T70.1-M8×35-8.8-EP•Zn	Hexagon socket head cap screws	1
11	3080100007	GB/T95-12-EP•Zn	Plain washer	3
12	3080100010	GB/T95-18-EP•Zn	Plain washer	1
13	2000005474	G11002D13000-001	Wheel mounting gasket	1
14	3100100017	GB/T276-6004	Deep groove ball bearing	1
15	3100400001	GB/T301-51104	Thrust ball bearing	1
16	3140200009	Φ52	Dust cover	1
17	3140200026	8 16×6.5-SLDPRT	Dust cover	1
18	3170400003	JB/T7940.1-M8×1	Grease nipple	1
19	3210500004	G11001A05000-006	The gloves	2
20	3080500009	GB/T93-12-EP•Zn	Spring washer	1

SECTION 6: PARTS LIST

Page No. 17

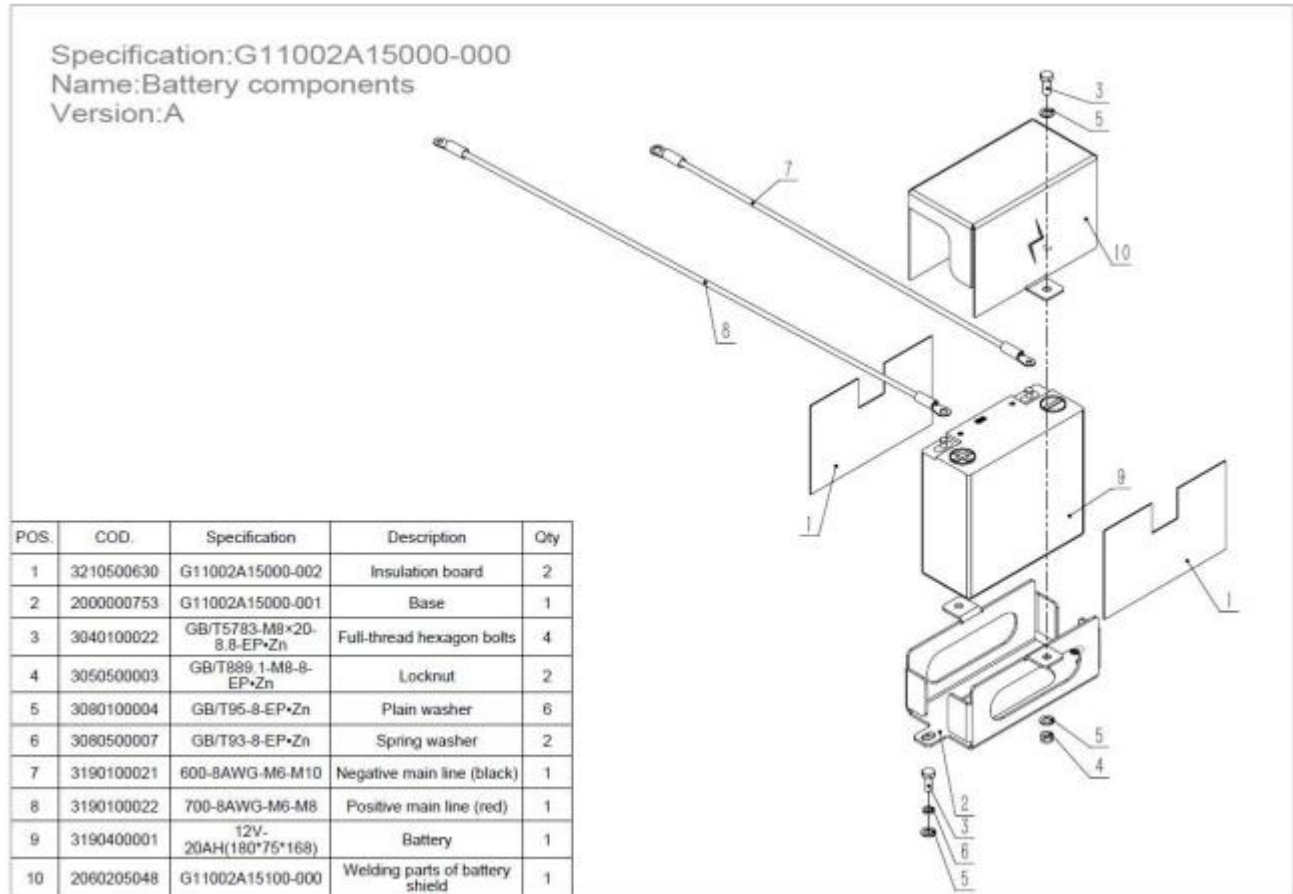
Specification:G11002F14000-000
 Name:
 ATV engine assembly (configuration code
 BSE)
 Version:B



POS.	QTY.	Specification	Description	Qty
1	3000100005	25T2370036H5BR7001	56.5 gasoline engine 13.5HP (air-line start)	1
2	3041900013	7/16-20X30	HCSS-Cap 7/16-20X30	1
3	3041900012	5/16-24X20	HCSS-Cap 5/16-24X20	4
4	3080100004	GB/T93-8-EP•Zn	Plain washer	4
5	3080500007	GB/T93-8-EP•Zn	Spring washer	4
6	3080500008	GB/T93-10-EP•Zn	Spring washer	1

SECTION 6: PARTS LIST

Page No. 18

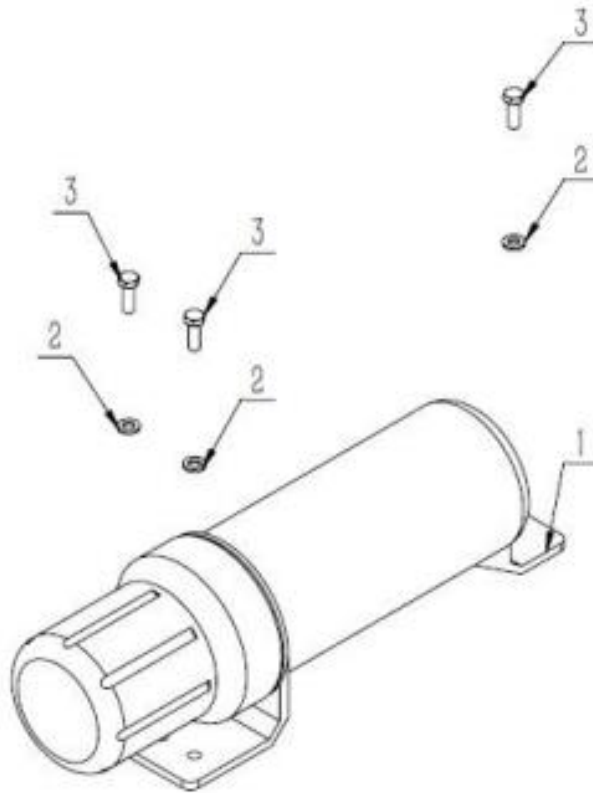


SECTION 6: PARTS LIST

Page No. 19

POS.	COD.	Specification	Description	Qty
1	3210300013	Blank logo	Manual canister	1
2	3080100003	GB/T95-6-EP•Zn	Plain washer	3
3	3040100006	GB/T5783-M6×18-8.8-EP•Zn	Full-thread hexagon bolts	3

Specification:MTZB00046
 Name:Manual canister assembly
 Version:A



Section 7: Troubleshooting

Problem	Solution
<p>! CAUTION <i>Do not try to clean rear discharge area when Mowers is running. Bodily harm may occur!</i></p>	
Belt slipping	Unplug and clean Mowers deck.
	Remove belt guard shields and clean sheaves.
	Replace belt
Patches of uncut to land	Shift transmission to a lower gear.
	Tighten belts.
	Replace missing blades.
Excessive vibration	Replace blades.
	Replace drive belt.
	Replace pulleys or align.
	Remove belt guard shields & clean debris from belt area & sheaves.
blades scalping grass	Raise Crushing height by adjusting .
	Change broken pattern.
	Reduce speed turns.
Uneven cut	Shift to a lower gear.
	Level Mowers .
	Replace missing blades or hammers

ACKNOWLEDGEMENT OF RISK AND RELEASE OF LIABILITY

The use of any equipment, including this one, involves the potential risk of injury. Apart from any warranty claim that might be presented for a claimed defect in material or workmanship of the product, you accept and assume full responsibility for any and all injuries, damages (both economic and non-economic), and losses of any type, which may occur, and you fully and forever release and discharge Titan, its insurers, employees, officers, directors, associates, and agents from any and all claims, demands, damages, rights of action, or causes of action, present or future, whether the same be known or unknown, anticipated, or unanticipated, resulting from or arising out of the use of said equipment.

This equipment must be used with care by capable and competent individuals under supervision, if necessary.

TITAN LIMITED WARRANTY: TERMS, EXCLUSIONS AND LIMITATIONS OF REMEDIES

This product comes with a one (1) year limited warranty that can be found at www.palletforks.com/warranty.html. Please review the same for all details regarding the Titan Limited Warranty.

THE TITAN LIMITED WARRANTY FOUND AT WWW.PALLETFORKS.COM/WARRANTY.HTML IS EXCLUSIVE AND IS IN LIEU OF ALL OTHER WARRANTIES, EXPRESS OR IMPLIED, INCLUDING ANY IMPLIED WARRANTY OF MERCHANTABILITY AND/OR FITNESS FOR A PARTICULAR PURPOSE, EACH OF WHICH IS HEREBY DISCLAIMED.



NEED HELP? CONTACT US FIRST.

1-800-605-7595

info@palletworks.com
www.palletforks.com

© 2022 Titan Brands