

# 5 PACK SET Y-BLADES FITS ATV TOW-BEHIND FLAIL MOWERS

---

**ATVYBLADE5**  
**191634**

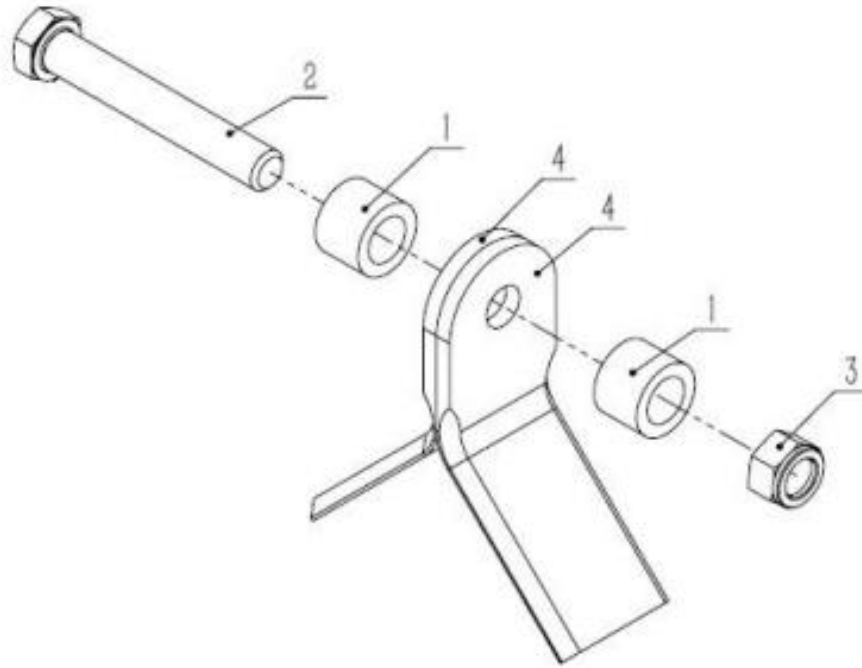


## **Operator's Manual**

Read the Operator's Manual entirely. When you see this symbol, the subsequent instructions and warnings are serious follow without exception. Your life and the lives of others depend on it!

**PARTS DIAGRAM / EXPLODED VIEW**

---



**SOLD AS A PACK OF 5 BLADE SETS**

<b>KEY</b>	<b>COD</b>	<b>SPECIFICATION</b>	<b>DESCRIPTION</b>	<b>QTY</b>
(1)	2010005065	G11002E02100-001	SPACER	2
(2)	3040300029	GB/T5782-M12*80-10.9-O	HEX HEAD BOLT	1
(3)	3050500007	GB/T889.1-M12-8-EP*ZN	LOCKNUT	1
(4)	3220100027	MT02011	BLADE	2

## ASSEMBLY INSTRUCTIONS

---

### ROTOR BLADE REPLACEMENT

Frequently check rotor blades to make sure they are in good working condition and properly secured to the rotor. Replace worn or damaged parts with new blades.

**IMPORTANT:**

Make sure that the replacement of blade with other same weight. This will be a balance of rotor spinning.

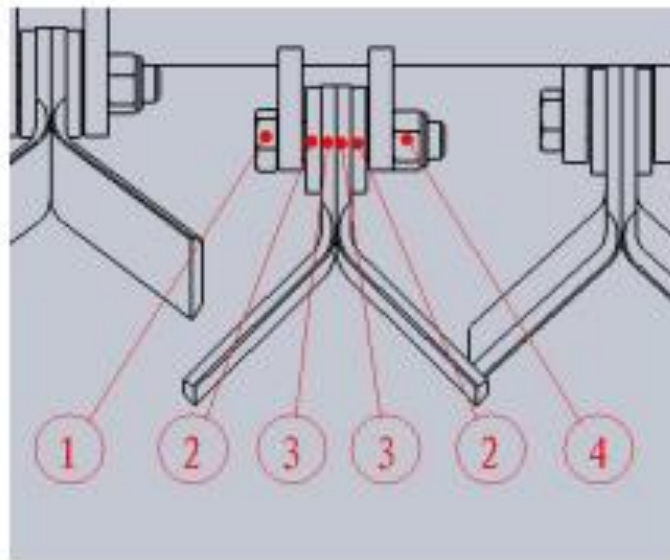
**IMPORTANT:**

The replaced blade must be the original factory accessories

The blade has a crushing edge on both the leading and trailing edges. When the leading edge wears out, turn existing pair of blades around 180 degrees and reinstall. Replaced blade should be the same length as existing part to maintain rotor balance.

### ATVFLAIL48 SERIES BLADE REPLACEMENT

1. REMOVE NUT (#4), BOLT (#1), and SPACER (#2) for Y type blade system.
2. Remove existing blades or turn existing pair of blades around 180 degrees and reinstall.
3. Install blade with existing bolt, washers, and locknut.
4. Tighten locknut with correct torque.



## ACKNOWLEDGEMENT OF RISK AND RELEASE OF LIABILITY

---

The use of any equipment, including this one, involves the potential risk of injury. Apart from any warranty claim that might be presented for a claimed defect in material or workmanship of the product, you accept and assume full responsibility for any and all injuries, damages (both economic and non-economic), and losses of any type, which may occur, and you fully and forever release and discharge Titan, its insurers, employees, officers, directors, associates, and agents from any and all claims, demands, damages, rights of action, or causes of action, present or future, whether the same be known or unknown, anticipated, or unanticipated, resulting from or arising out of the use of said equipment.

This equipment must be used with care by capable and competent individuals under supervision, if necessary.

## WARNING

---



**Do not overfill!** Mower should be level when checking oil in gear box.



some activities might be able to cause electric shock



Sharp objects may be involved.  
Use protective cover during maintenance.

## TITAN LIMITED WARRANTY: TERMS, EXCLUSIONS AND LIMITATIONS OF REMEDIES

---

This product comes with a one (1) year limited warranty that can be found at [www.palletforks.com/warranty.html](http://www.palletforks.com/warranty.html). Please review the same for all details regarding the Titan Limited Warranty.

**THE TITAN LIMITED WARRANTY FOUND AT [WWW.PALLETFORKS.COM/WARRANTY.HTML](http://WWW.PALLETFORKS.COM/WARRANTY.HTML) IS EXCLUSIVE AND IS IN LIEU OF ALL OTHER WARRANTIES, EXPRESS OR IMPLIED, INCLUDING ANY IMPLIED WARRANTY OF MERCHANTABILITY AND/OR FITNESS FOR A PARTICULAR PURPOSE, EACH OF WHICH IS HEREBY DISCLAIMED.**



**NEED HELP? CONTACT US FIRST.**

**1-800-605-7595**

[info@palletworks.com](mailto:info@palletworks.com)  
[www.palletforks.com](http://www.palletforks.com)

© 2021 Titan Brands