

INDOOR TIRE FLIPPING MACHINE

STTRM

401136

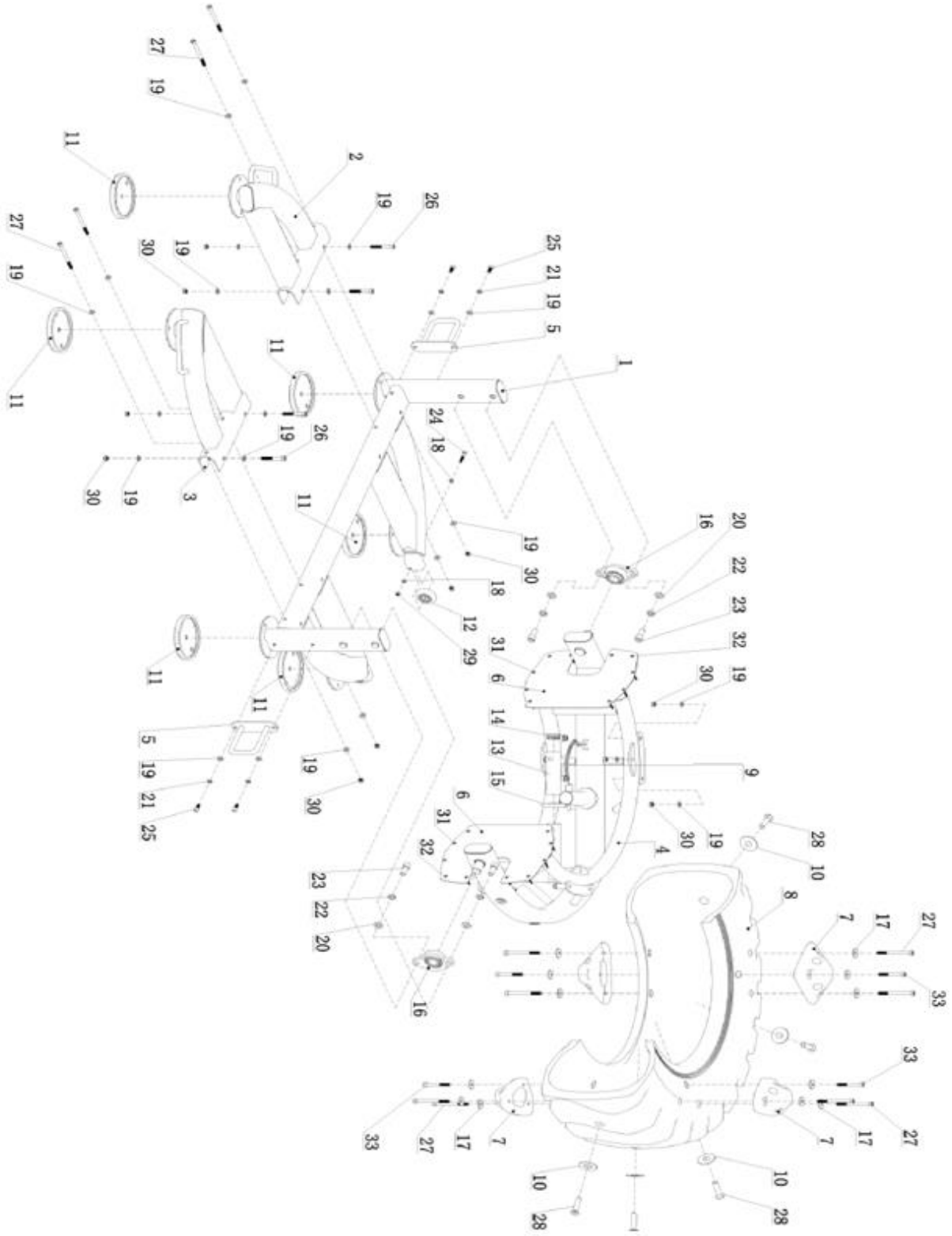


Operator's Manual



Read the Operator's Manual entirely. When you see this symbol, the subsequent instructions and warnings are serious follow without exception. Your life and the lives of others depend on it!

PARTS DIAGRAM / EXPLODED VIEW



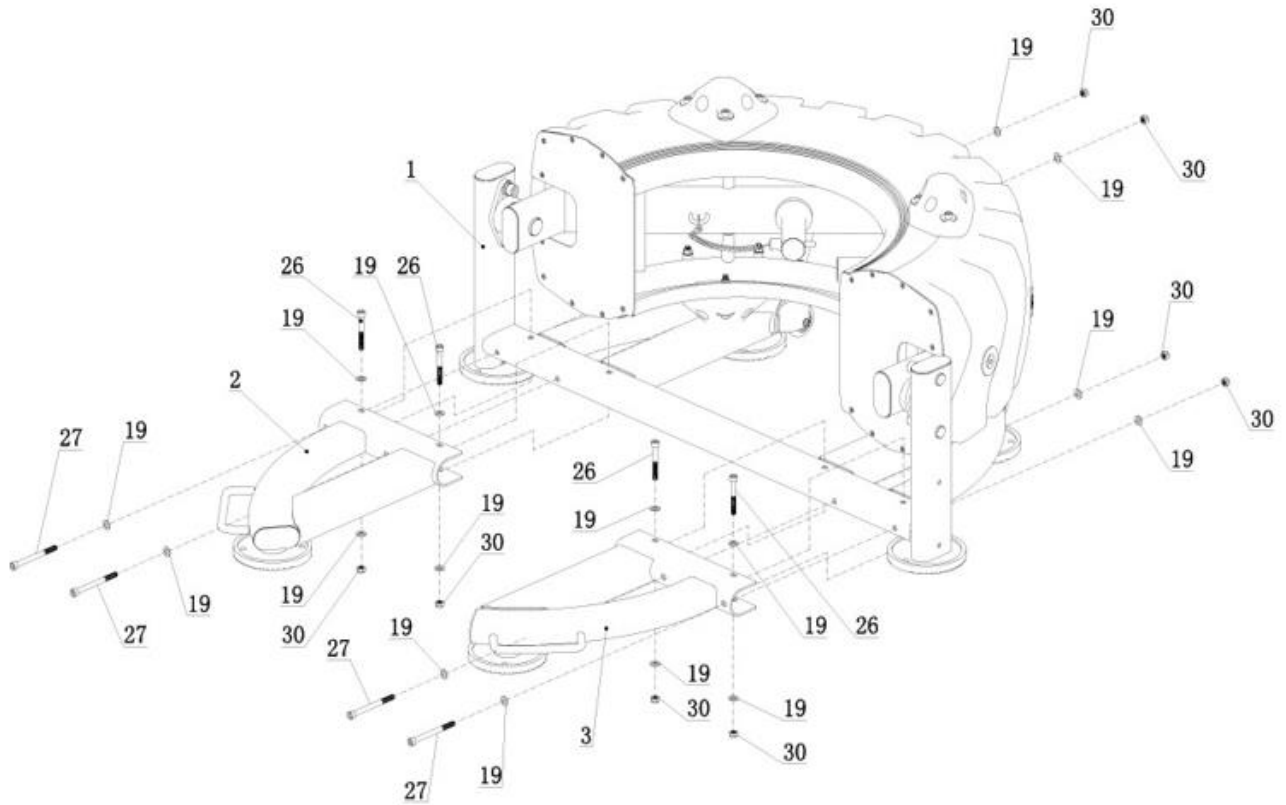
PARTS DIAGRAM / EXPLODED VIEW

KEY		DESCRIPTION	QTY
(1)	1	UPRIGHT FRAME	1
(2)	1	LEFT BASE FRAME	1
(3)	1	RIGHT BASE FRAME	1
(4)	1	TURNOVER FRAME	1
(5)	1	BATTLE ROPE FIXING PLATE	2
(6)	1	COVER PLATE 390*306.7*3	2
(7)	1	RUBBER BUFFER 230*136*98	4
(8)	1	TIRE 15.5-25 E3/L3 A	1
(9)	1	SHORT PIN ASSEMBLY	2
(10)	1	BIG WASHER $\Phi 60 \times \Phi 22 \times 3$	5
(11)	1	FOOT PAD $\Phi 166 \times 17$	6
(12)	1	WHEEL $\Phi 70 \times 23.4$	2
(13)	1	SLEEVE $\Phi 50 \times 0.9 \times 156$	2
(14)	1	END CAP (2.5) $\Phi 48 \times 2.5$	2
(15)	1	RUBBER BUFFER $\Phi 77 \times \Phi 47.5 \times 13$	2
(16)	1	CONNECTING BEARING $\Phi 30 \times 117 \times 40.2$	2
(17)	1	BIG WASHER $\Phi 11 \times \Phi 34 \times 3$	12
(18)	1	FLAT WASHER $\Phi 9 \times \Phi 16 \times 1.6$	4
(19)	1	FLAT WASHER $\Phi 11 \times \Phi 20 \times 2$	32
(20)	1	FLAT WASHER $\Phi 17 \times \Phi 30 \times 3$	4
(21)	1	SPRING WASHER $\Phi 10$	4
(22)	1	SPRING WASHER $\Phi 16$	4
(23)	1	HEX BOLT M16*35	4
(24)	1	HEX BOLT M8*45	2
(25)	1	HEX BOLT M10*20	4
(26)	1	HEX BOLT M10*75	4
(27)	1	HEX BOLT M10*120	12
(28)	1	INNER HEX COUNTERSUNK BOLT M16*65	5
(29)	1	NUT M8	2
(30)	1	NUT M10	20
(31)	1	CROSS RECESSED COUNTERSUNK HEAD TAPPING SCREW ST4.8*40	18
(32)	1	CROSS RECESSED COUNTERSUNK HEAD TAPPING SCREW ST4.8*19	2
(33)	1	HEX BOLT M10*85	4
(30)	1	NUT M10	20

ASSEMBLY INSTRUCTIONS

STEP 1

Assemble Upright Frame (1), Left Base Frame (2) and Right Base Frame (3) using Flat Washer $\Phi 11^*$ $\Phi 20^*2$ (19), Hex Bolt M10*75 (26), Hex Bolt M10*120 (27) and Nut M10 (30) .

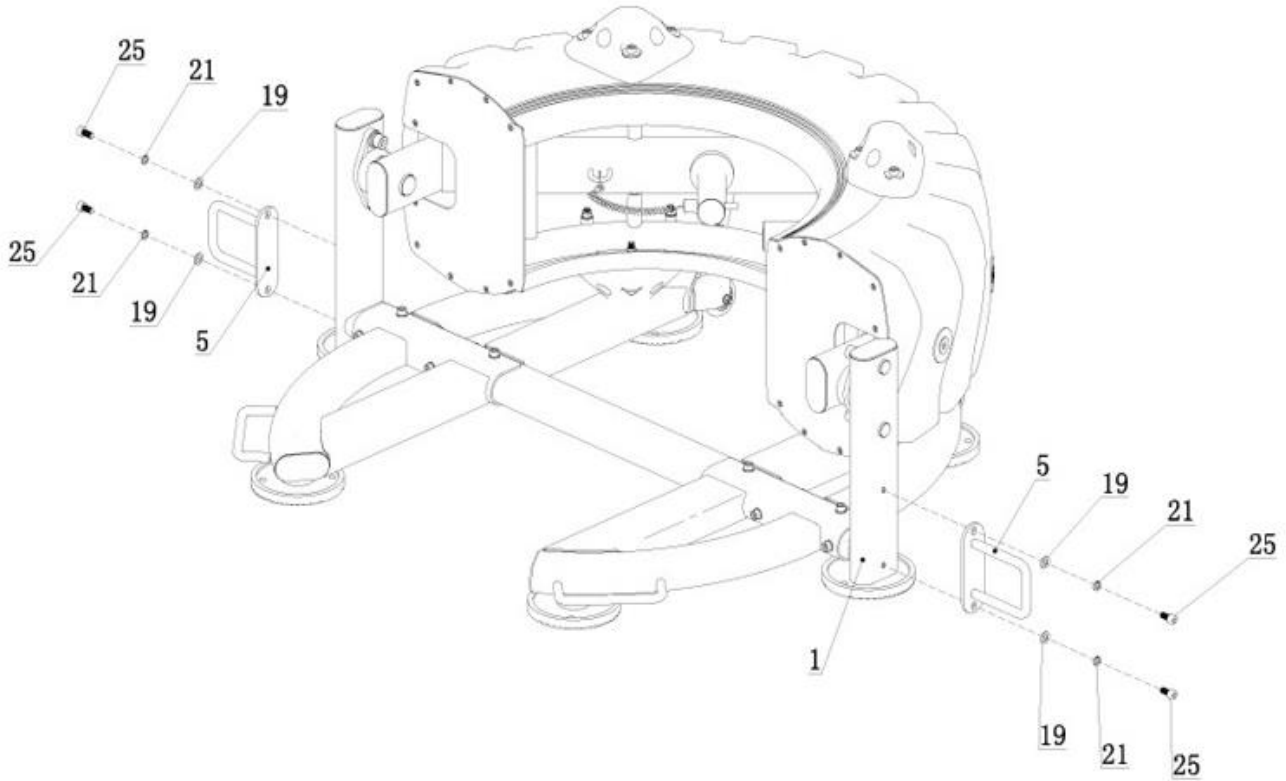


ASSEMBLY INSTRUCTIONS

STEP 2

Fix Battle Rope Fixing Plate (5) to the Upright Frame (1) using Flat Washer $\Phi 11 * \Phi 20 * 2$ (19), Spring Washer $\Phi 10$ (21) and Hex Bolt M10*20 (25).

PLEASE TIGHTEN ALL THE BOLTS AND NUTS.



ACKNOWLEDGEMENT OF RISK AND RELEASE OF LIABILITY

The use of any equipment, including this one, involves the potential risk of injury. Apart from any warranty claim that might be presented for a claimed defect in material or workmanship of the product, you accept and assume full responsibility for any and all injuries, damages (both economic and non-economic), and losses of any type, which may occur, and you fully and forever release and discharge Titan, its insurers, employees, officers, directors, associates, and agents from any and all claims, demands, damages, rights of action, or causes of action, present or future, whether the same be known or unknown, anticipated, or unanticipated, resulting from or arising out of the use of said equipment.

This equipment must be used with care by capable and competent individuals under supervision,

WARNING



Heavy object. Use lifting aids and proper lifting techniques when moving.



Choking hazard. Small parts – Please exercise caution if small children or pets are present.



Sharp objects may be involved. Use precaution and protection.

TITAN LIMITED WARRANTY: TERMS, EXCLUSIONS AND LIMITATIONS OF REMEDIES

This product comes with a one (1) year limited warranty that can be found at www.titan.fitness/warranty.html Please review the same for all details regarding the Titan Limited Warranty.

THE TITAN LIMITED WARRANTY FOUND AT WWW.TITAN.FITNESS/WARRANTY IS EXCLUSIVE AND IS IN LIEU OF ALL OTHER WARRANTIES, EXPRESS OR IMPLIED, INCLUDING ANY IMPLIED WARRANTY OF MERCHANTABILITY AND/OR FITNESS FOR A PARTICULAR PURPOSE, EACH OF WHICH IS HEREBY DISCLAIMED.



NEED HELP? CONTACT US FIRST.

1-888-410-1503

info@titan.fitness

www.titan.fitness

© 2022 Titan Brands