

# TITAN HAND PALLET JACK 48x27

---

4827PLTJCK

194129

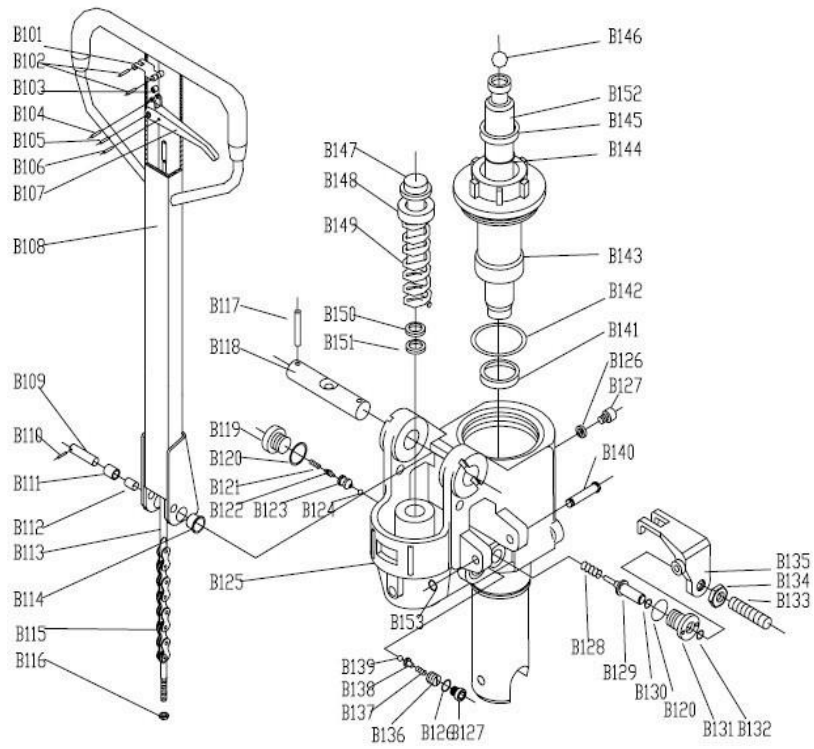
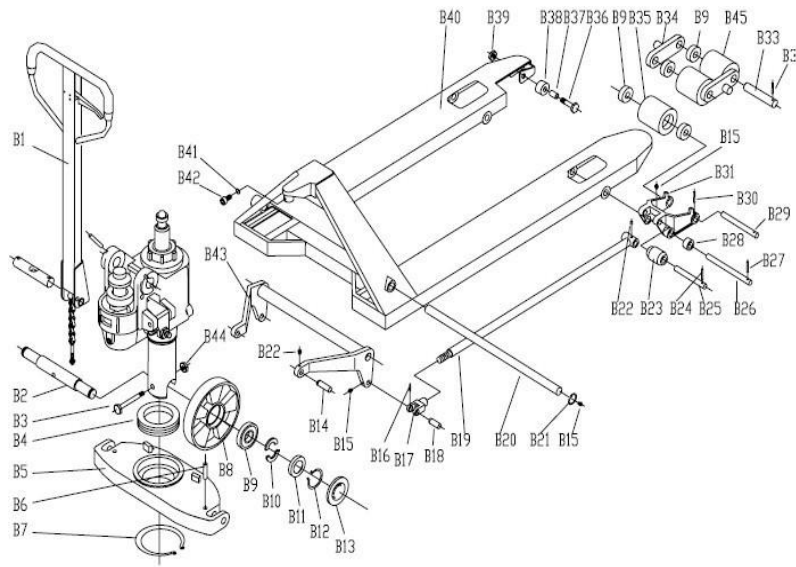


## Operator's Manual



Read the Operator's Manual entirely. When you see this symbol, the subsequent instructions and warnings are serious follow without exception. Your life and the lives of others depend on it!

**PARTS DIAGRAM / EXPLODED VIEW**



Item	specifications	Qty	Item	specifications	Qty
B101	Positioning pieces	1	B1	Handle assembly BF1	1
B102	Elastic Pin 4*32	1	B2	front axle25*176	1
B103	Roller 11*10	1	B3	hexagon bolt M8*55	1
B104	Elastic Pin 4*20	1	B4	bearing 8111	1
B105	Elastic Pin 6*32	1	B5	fulcrum bearing	1
B106	Elastic Pin 4*15	1	B6	Elastic Pin 5*28	2
B107	handle	1	B7	circlip for shaft 55	1
B108	hand tube	1	B8	big wheel 200*50 Nylon (normal profile)	2
B109	pin with hole12*60	1	B8	big wheel 200*50 PU (normal profile)	2
B110	Elastic Pin 3*20	1	B9	bearing 80204 or 60204	10
B111	Pressure Roller 14*26*22	1	B10	semi-circle ring	4
B112	Bushing12*14*20	2	B11	Bowl mat	2
B113	Rod components	1	B12	circlip for shaft 20	2
B114	Bushing 20*23*16.5	2	B13	dust cap	2
B115	Chain	1	B14	pin roll 16*40	2
B116	lock nut M5	1	B15	lubricating nipple M6	10
B117	Elastic Pin 5*40	2	B16	Elastic Pin 5*28	2
B118	Pressure Roller Shaft 20*110	1	B17	connector	2
B119	sealing screw M20*1.5	1	B18	pin roll 16*44	2
B120	bonded washer 20	2	B19	connecting rod25*25XL solid core/hollow	2
B121	Spring 0.6*4.4/11.4*20	1	B20	long shaft BF685	1
B122	The damping valve core	1	B21	circlip for hole 25	2
B123	valve body	1	B22	lubricating nipple	2
B124	steel ball 6.35	1	B23	Roll sleeve 34*50	2
B125	oil pump body/ lifting jack	1	B24	Elastic Pin 5*32	2
B126	bonded washer 10	4	B25	Pin roll 16*85	2
B127	plug screw M10*1	4	B26	Pin roll 20*152	2
B128	Spring 1.2*9*22	1	B27	Elastic Pin 5*35	2
B129	firing pin 8	1	B28	Help the back wheel 34*10	4
B130	O-Ring 6.9*1.8	1	B29	Pin roll 20*122	2

B131	Firing pin seat 20*1.5	1	B30	Elastic Pin 5X32	2
B132	O-Ring 8*2.65	1	B31	wheel stand (normal profile)	2
B133	bolt M6*2.5	1	B32	Elastic Pin 5*28	2
B134	Hex nut M6	1	B33	Pin roll 20*95	4
B135	The lever plate (Lengthen)	1	B34	supporting plate	4
B136	pressure adjusting screwM10*1	1	B35	74*93 80*93 nylon single wheel	2
B137	Spring 2*8*16	1	B35	74*93 80*93 PU wheel	2
B138	ball seat	1	B36	hexagon bolt M6*55	2
B139	steel ball 5	1	B37	drive pipe 6.2*10*37	2
B140	Pin roll 8*58	1	B38	small wheel 50*35	2
B141	seal ring 31.5	1	B39	lock nut	2
B142	O-ring 65*2.65	1	B40	truck body/Frame	1
B143	Guide screw 31.5	1	B41	socket head cap screwM6*12	1
B144	O-ring 31.5*3.55	1	B42	spacer 6	1
B145	dust ring 31.5	1	B43	rocker arm component 550	1
B146	steel ball 19.1	1	B44	Insert plastic lock nut M8	1
B147	pump core 18*97	1	B45	double wheel 80*70 nylon	4
B148	Big spring cap 49*15	1	B45	double wheel 80*70 PU	4
B149	large spring 5.5*48*93	1		Ordinary hydraulic oil	KG
B150	dust band 18	1		Jack with big wheel and bearing seat assembly	1
B151	seal ring 18	1			
B152	plunger piston 31.5*263	1			
B153	circlip for shaft--type A	1			

## ASSEMBLY INSTRUCTIONS

---

- 1.The truck shall be used, serviced, and repaired according to the manufacturer’s requirements.
- 2.The truck shall not be modified or have attachments fitted without ensuring that the truck is still safe.
- 3.When the cargo weight exceeds 2500kg, please operate the truck by two persons together for labor-saving.

### 1. Applicable Range

- 1.1 Hand pallet truck is a low lift transportation tool which is limited to move palletized cargo. This kind of truck possesses the feature of stable lifting, easy operation, safety, and reliability etc.
- 1.2 The working place must be non-slip, hard and flat ground without holes or obstacles.

### 2. Main parameter

Capacity (lbs.)	5500
Max. lift height (in)	7.5"
Lowered fork height (in)	3"
Height of handle (in)	16.6"
Fork Length (in)	48"
Width over the forks (in)	27"
Steering wheel diameter (in)	7"
Fork wheel diameter (in)	3"
Service weight (lbs.)	147

### 3.Assembly of hand pallet truck

- 3.1 See fig 1, pull out the pin roll 1.

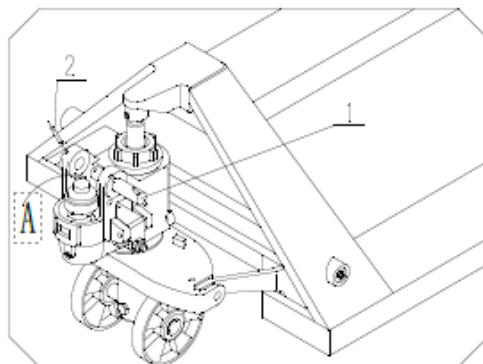


Figure 1.

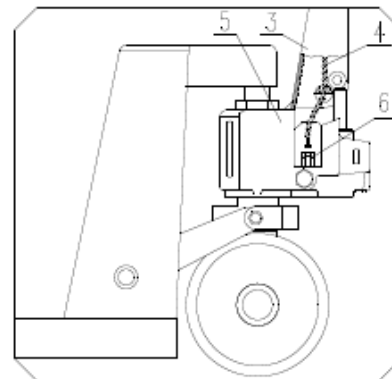


Figure 2.

- 3.2 Insert the hand grip 3 to place A. Couple the hand grip 3 and pump body 5 with pin roll 1.
- 3.3 Then get the spring pin 2 through pin roll 1 and fix it.
- 3.4 See fig 2. Put the chain 4 of hand grip get across the middle hole of pin roll 1.

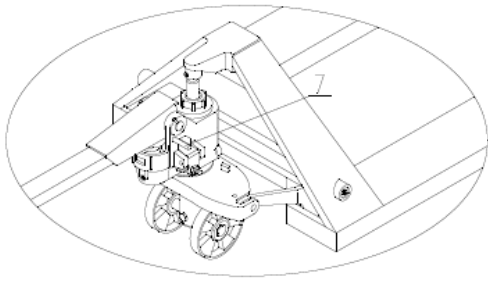


Figure 3

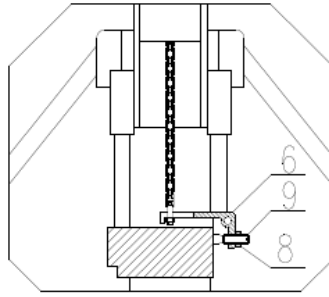
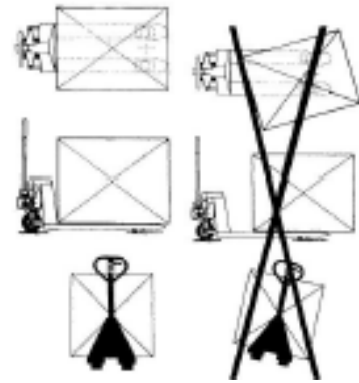


Figure 4

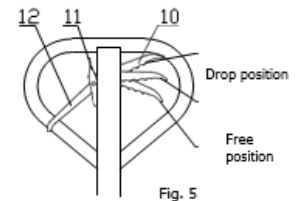


3.5 Take screw nut which is at the end of chain 4 and hitch the groove of lever board 6. fig 2 and fig 4.

3.6 See fig 3, turn the hand grip to the level position, pull out pin 7 and save pin 7 with care for next use.

#### 4. Test of Hand Pallet Truck

4.1 After the truck is assembled, try to rock the hand grip and operate different positions of control handle knob 10 to examine lifting, free position and dropping and check that whether the different positions are normal or not. See fig 5.



4.2 The screw 9 in fig 4 is used to adjust the truck situation. When the truck body drops immediately after it is lifted, you should turn the screw 9 a little counter-clockwise. And then try the truck again until truck body could lift normally. If the truck body couldn't drop after it is lifted, you should turn the screw 9 a little clockwise. And then try to operate truck again until the truck body could drop normally. The external hexagon nut 8 at screw 9 plays the locking function in the truck. So, you should undo the external hexagon nut 10 before adjustment. And screw down the nut 8 after you finish the adjustment.

#### 5. Operation Manual

5.1 Before operation of the hand pallet truck please make sure that whether the cargo weight exceeds the rated load or not.

5.2 See fig 5, when hand knob 10 is placed on the lift position, the truck will be in a state of lift. At this time, if you rock the hand grip, the truck will be lifted.

5.3 See fig 5, when hand knob 10 is placed on the free position, the truck will travel. At this time, if you rock the hand grip, the truck

5.4 See fig 5, when the hand knob 10 is placed on the drop position, truck forks will drop. At this time, the truck forks will drop automatically.

5.5 See fig 5, when the hand knob 12 is placed below, the truck will be in a state of free walking.

5.6 See fig 5, when the hand knob 12 is placed above, the truck will be in a state of brake.

5.7 See fig 5, hand knob 11 is used for release brake.

## **6. Points for attention and safety norms.**

- 6.1 The operators must put on the work clothes, safety shoes and gloves during the operation of the hand pallet truck.
- 6.2 When the hand pallet trucks are transported by truck, the hand pallet trucks should be locked in order to prevent the trucks from moving.
- 6.3 When the hand pallet truck is used for the motor vehicle, the truck must be moved slowly to ensure safety.
- 6.4 The wheels, bearings and bushings of the truck are wearing parts. Please change them according to situation.
- 6.5 Do not park the truck on the slope or in emergency passages.
- 6.6 When the hand pallet truck is used on the slope, the operator should operate the pallet truck carefully to ensure the operator on top of the slope.
- 6.7 When the hand pallet truck is not in use, the forks should be lowered to the lowest position.
- 6.8 It is forbidden to stop the truck on the slope.
- 6.9 Do not park the truck at places where will block the traffic or is inconvenient for work.
- 6.10 Do not use the truck in rainy environment.
- 6.11 It is forbidden for the operator to sit or stand on the hand pallet truck to operate the truck.
- 6.12 It is forbidden to make turns on the slope.
- 6.13 Do not pile the cargo too high in order to prevent the goods from falling down or overturning of the truck.
- 6.14 Do not use the hand pallet truck to carry people.
- 6.15 Untrained personnel are not allowed to stand around the operation area in order to avoid injury caused by sudden malfunction.
- 6.16 Before the hand pallet truck is pushed into the elevator, the operator shall make sure that the elevator can bear the total load of hand pallet truck and cargo as well as the total weight of the operator and other personnel in the elevator. When entering the elevator, people should let the load enter first but not operator. When the load or hand pallet truck enters or leaves the elevator, other personnel should not stay in the elevator.
- 6.17 The hand pallet truck should be stored in dry and ventilated environment.
- 6.18 When the cargo weight exceeds 2500kg, please operate the truck by two persons together for labor-saving.

## **7. Inspection before use**

If the hand pallet truck is not used for a long time, air may get into the hydraulic system. Due to this, the trouble can be eliminated by the following method:

Turn the hand knob to the drop position and rock the handle for 4 to 6 times. Then release the operation knob. If necessary, the process can be repeated for several times until the hand pallet truck can be operated normally.

## **8. Loading type and rated weight**

The ideal loading type is that the gravity center of the cargo is just in the middle of the truck forks. The rated weight must be reduced when the cargo gravity center is not in the middle of the truck forks. The rated weight is shown as the label.

## 9. Oil

The oil capacity which oil pump needs is about 250ml (or 0.25kg). According to the ISO oil criterion, the choice of oil is 32# when the environment temperature during -5~40°C. The choice of oil is low temperature oil when the environment temperature during -35~-5 °C.

## 10. Maintenance and upkeep

The routine check should be carried out daily and every abnormal phenomenon should be dealt with immediately. Please do not use faulty truck in order to prolong the service life. If there are any faults, please consult the professional. If it is necessary to replace the parts, the new parts should be provided by the original manufacturer. All the rotary joints should renew the motor oil every three months. Especially pay more attention to the place between wheel and axis. Make sure that there is not any yarn or other rags in order to keep all wheels running with handiness. After the maintenance and upkeep, please record in the list below:

### Maintenance and upkeep recording list

Starting date of using:

Maintenance date	Faults	Parts replace	Sign



## 11. Possible faults and trouble shooting

No.	Faults	Causes	Trouble shooting
1	The forks can't be lifted to the maximum lift height	Hydraulic oil is not enough.	Add appropriate filtrated working oil.
2	The forks can't return to the lowest position.	<ol style="list-style-type: none"> <li>1. Too much hydraulic oil.</li> <li>2. The rotary parts are deformed or blocked.</li> <li>3. The trunk piston and guides bushing are blocked.</li> </ol>	<ol style="list-style-type: none"> <li>1. Take out appropriate working oil</li> <li>2. Replace the parts.</li> </ol>
3	The forks can't drop after lifted.	<ol style="list-style-type: none"> <li>1. There is something abnormal in the unloading device.</li> <li>2. The parts are deformed and damaged.</li> </ol>	<ol style="list-style-type: none"> <li>1. Readjust the unloading device, see item 4.2.</li> <li>2. Replace the deformed and damaged parts.</li> </ol>
4	Hydraulic oil leakage	<ol style="list-style-type: none"> <li>1. The oil seal is unavailable.</li> <li>2. The surface of some parts is damaged or worn.</li> <li>3. The coupled places become loosened.</li> </ol>	<ol style="list-style-type: none"> <li>1. Replace the oil seal.</li> <li>2. Replace the damaged parts.</li> <li>3. Fasten the loosened place again.</li> </ol>
5	The fork can't be lifted.	<ol style="list-style-type: none"> <li>1. The viscosity of the working oil is too high, or there is no working oil.</li> <li>2. There is impurity in the oil.</li> <li>3. There is something abnormal in the unloading device.</li> </ol>	<ol style="list-style-type: none"> <li>1. Replace the working oil.</li> <li>2. Clear up the impurity and add new working oil</li> <li>3. Readjust the unloading device, see item 4.2.</li> </ol>
6	When the handle is rocked, the forks drop immediately after they are lifted;	The valve of oil pump is blocked by abnormal matter.	Open the valve and take out the parts. Then re-install the parts after they are cleaned.

	the handle returns or the forks drop markedly after they are lifted.		
--	--	--	--

## 12. Disposal of waste oil

The waste hydraulic oil shall be disposed in terms of relative laws. And it is forbidden to pouring out anywhere.

### 13. Warning level

13.1 Please read the operation instruction carefully before you operate the hand pallet truck and learn about all the features of this type of hand pallet truck.

13.2 If you want to let the truck down by controlling the hand knob, you should better lift the hand knob a little at first, and then let the truck down slowly. It is forbidden to pull the handle knob with great force, because rapid dropping could cause some damages to both the hand pallet truck and cargo.

13.3 Don't rock the hand grip at a high speed and in a high frequency!

13.4 Don't load the cargo at a high speed !

13.5 Do not overload the forks. Overloading could keep the hand pallet truck from working normally.

13.6 The gravity center of cargo should be in the middle of truck forks. The offset of cargo could make hand pallet truck out of balance !

13.7 Don't load loose or unstable goods!

13.8 Don't put the goods on the truck fork for a long time!

13.9 When the truck does not work, make sure that the truck forks are on the lowest position and the power should be cut off!

13.10 It is forbidden to load people and let them stand on the forks to slide. Don't put any part of body below the cargo.

13.11 Do not operate the unnamed position!

13.12 The truck shall be used, serviced, and repaired according to the manufacturer's requirements and shall not be modified or have attachments fitted without ensuring that the truck is still safe.

13.13 Do not use the hand pallet truck at an insufficiently illuminated place!

13.14 Do not park the hand pallet truck by turning the hand grip to the right!

13.15 Do not use the hand pallet truck as bumper jack!

13.16 The extremity of fork arms shall not be used as a lever to lift a load!

13.17 It is forbidden to use the truck at places where a risk of unintentional movement exists.

13.18 It is forbidden to contact the truck with goods or cargo directly!

13.19 Do not use the hand pallet truck in a potentially explosive atmosphere !

13.20 During the operation of the hand pallet truck, the operator should pay more attention to the feet and any body part so as to avoid the risk of being crushed.

13.21 The truck shall be used, serviced, and repaired according to the manufacturer's requirements.

## ACKNOWLEDGEMENT OF RISK AND RELEASE OF LIABILITY

---

The use of any equipment, including this one, involves the potential risk of injury. Apart from any warranty claim that might be presented for a claimed defect in material or workmanship of the product, you accept and assume full responsibility for any and all injuries, damages (both economic and non-economic), and losses of any type, which may occur, and you fully and forever release and discharge Titan, its insurers, employees, officers, directors, associates, and agents from any and all claims, demands, damages, rights of action, or causes of action, present or future, whether the same be known or unknown, anticipated, or unanticipated, resulting from or arising out of the use of said equipment.

This equipment must be used with care by capable and competent individuals under supervision, if necessary.

## WARNING

---



**Do not overfill!** Mower should be level when checking oil in gear box.



some activities might be able to cause electric shock



Sharp objects may be involved.  
Use protective cover during maintenance.

## TITAN LIMITED WARRANTY: TERMS, EXCLUSIONS AND LIMITATIONS OF REMEDIES

---

This product comes with a one (1) year limited warranty that can be found at [www.palletforks.com/warranty.html](http://www.palletforks.com/warranty.html). Please review the same for all details regarding the Titan Limited Warranty.

**THE TITAN LIMITED WARRANTY FOUND AT [WWW.PALLETFORKS.COM/WARRANTY.HTML](http://WWW.PALLETFORKS.COM/WARRANTY.HTML) IS EXCLUSIVE AND IS IN LIEU OF ALL OTHER WARRANTIES, EXPRESS OR IMPLIED, INCLUDING ANY IMPLIED WARRANTY OF MERCHANTABILITY AND/OR FITNESS FOR A PARTICULAR PURPOSE, EACH OF WHICH IS HEREBY DISCLAIMED.**



**NEED HELP? CONTACT US FIRST.**

**1-800-605-7595**

[info@palletworks.com](mailto:info@palletworks.com)  
[www.palletforks.com](http://www.palletforks.com)

© 2021 Titan Brands