

HITCH MOUNTED CARGO CARRIER BASKET

CC500

332205



OPERATOR'S MANUAL



Read the Operator's Manual entirely. When you see this symbol, the subsequent instructions and warnings are serious follow without exception. Your life and the lives of others depend on it!

GENERAL COMMENTS:

Congratulations on the purchase of your new TITAN product! This product was carefully designed and manufactured to give you many years of dependable service. Only minor maintenance (such as cleaning and lubricating) is required to keep it in top working condition. Be sure to observe all maintenance procedures and safety precautions in this manual and on any safety, decals located on the product and on any equipment that you use in conjunction with this product.

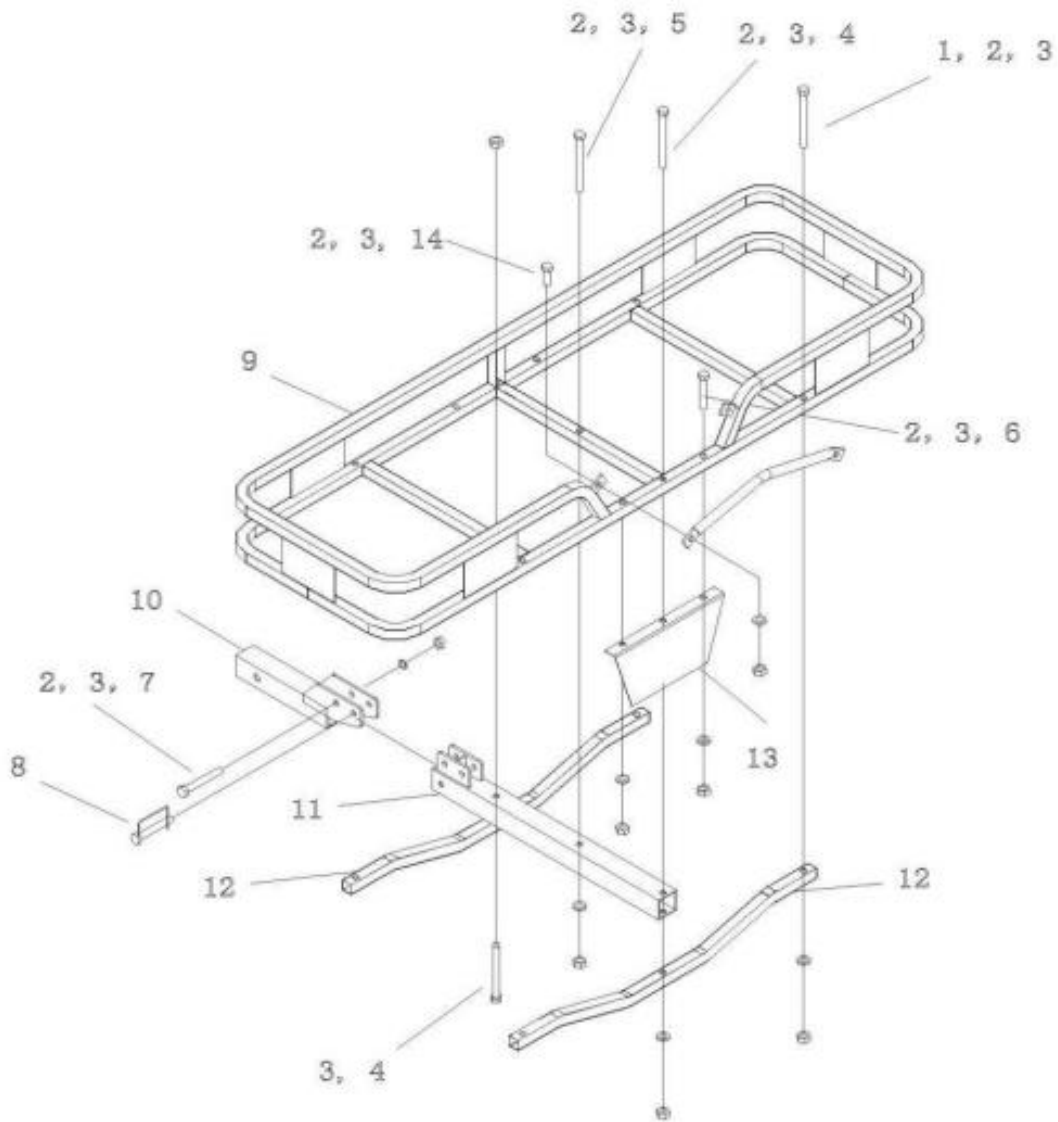
This manual has been designed to help you do a better, safer job. Read this manual carefully and become familiar with its contents.

WARNING

Misuse of this equipment may cause serious injury or death.

- Read all safety warnings and instructions. Keep this manual for future reference.
- This is not a toy. Keep away from children.
- Check local and state laws before attaching or using carrier.
- Maximum weight capacity is 500 lbs.
- Do not stand, ride, or sit on carrier at any time including loading and unloading.
- Keep bystanders out of the area during assembly, loading, and unloading
- Loading a heavier object on this product can result in dangerous conditions to both the operator and the item loaded as well as bystanders.
- Inspect carrier for damage, loose or broken parts, and confirm all nuts, bolts, and other hardware are securely tightened or adjusted before using. Discontinue use if damage is present.

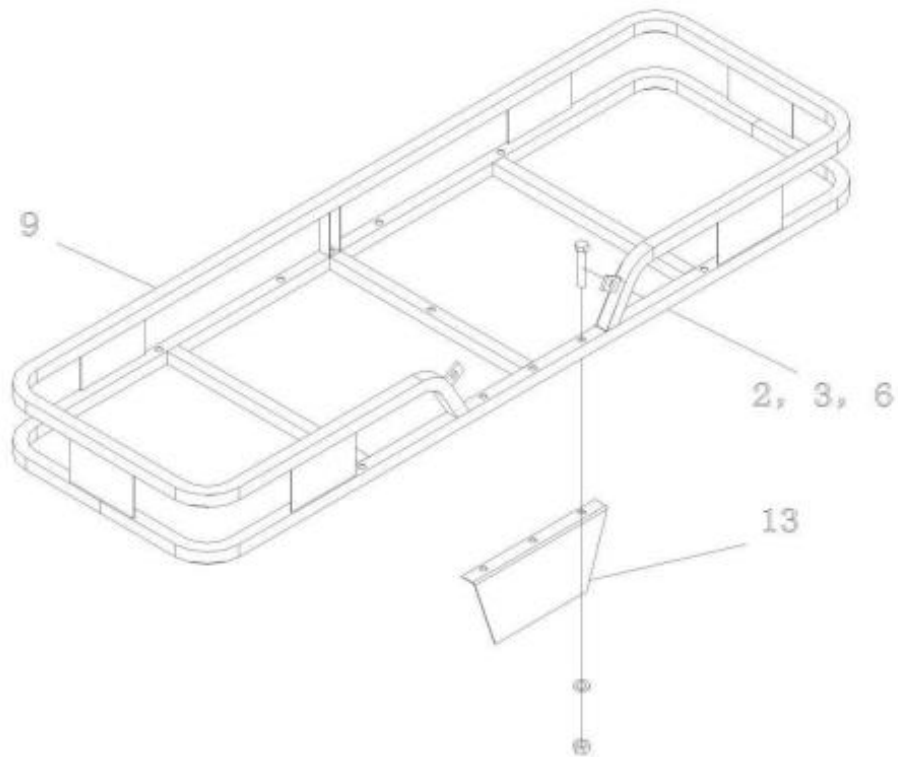
PARTS DIAGRAM / EXPLODED VIEW



KEY	DESCRIPTION	QTY	KEY	DESCRIPTION	QTY
(1)	BOLT M12X70	4	(8)	φ 12 PIN & CLIP	1
(2)	φ 12 WASHER	11	(9)	BASE FRAME	1
(3)	M12 NUT	12	(10)	HITCH HINGE	1
(4)	BOLT M12X120	2	(11)	SHANK TUBE	1
(5)	BOLT M12X90	1	(12)	SUPPORT BAR	2
(6)	BOLT M12X45	2	(13)	FAIRING PLATE	1
(7)	BOLT M12X80	1	(14)	BOLT M12X20	2

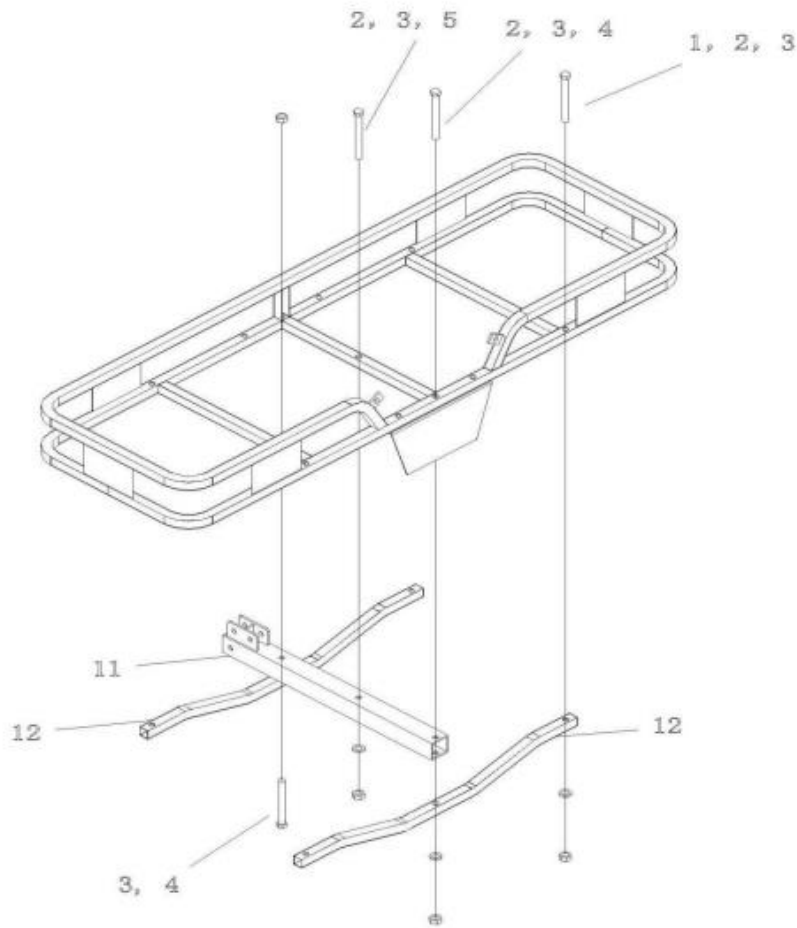
ASSEMBLY INSTRUCTIONS

STEP 1 – ATTACH THE FAIRING PLATE



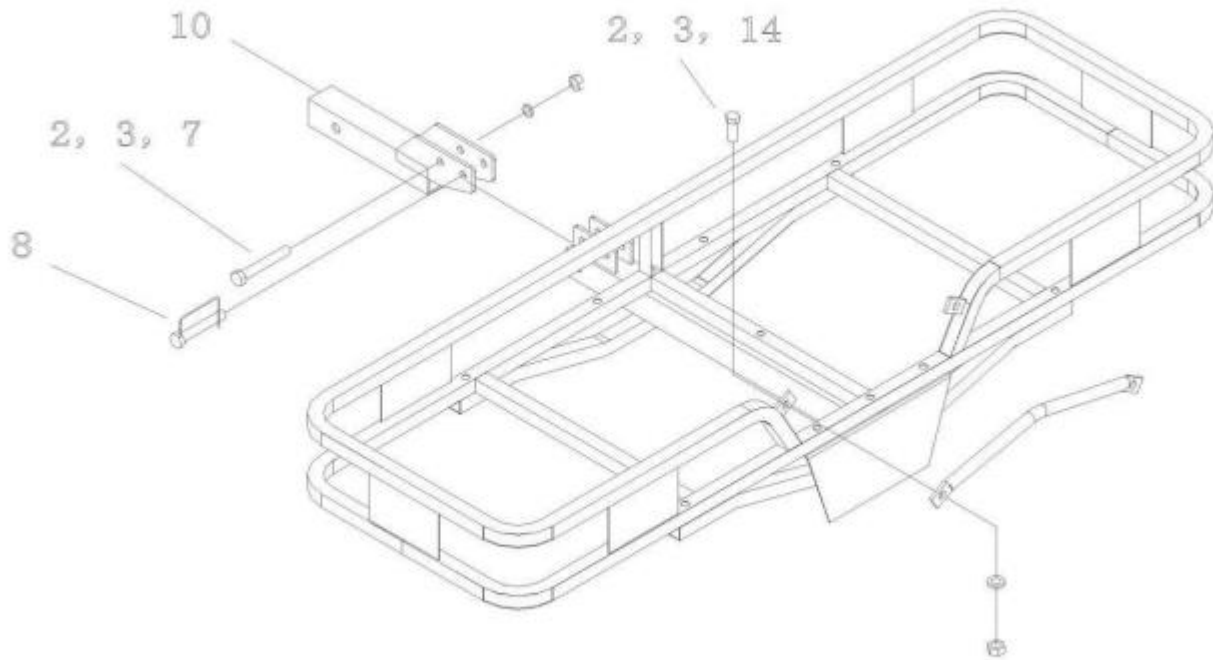
1. Arrange the fairing plate (part #13) in place underneath the basket. Insert bolt M12x45 (part #6) through the base frame (part #9) and fairing plate (part #13).
2. Secure with washer (part # 2) and nut (part #3) as illustrated in diagram for all three holes, and then tighten.
3. Inspect and tighten all hardware.

STEP 2 – ATTACH BASE FRAME TO SUPPORT BARS



1. Align the shank tube (part #11) and support bars (part # 12) with the matching holes on the base frame.
2. Insert bolt M12x90 (part #5) through the center of the base frame and shank. Secure on the underside with washer (part #2) and nut (part #3).
3. Insert bolt M12x120 (part #4) through base frame, fairing plate, shank, and support bar. Secure on the underside with washer (part # 2) and nut (part # 3).
4. Insert bolt M12x120 (part #4) from underside of the shank through the top of the base frame and secure using a nut (part #3).
5. Insert bolt M12x70 (part # 1) through the remaining ends of both support bars through the base frame and secure using a washer (part #2) and nut (part # 3).
6. Inspect and tighten all hardware.

STEP 3: ASSEMBLING THE HITCH HINGE



1. Attach the cross bar (not numbered) to the base frame just above the fairing plate by using bolt M12x20 (part # 14), washer (part # 2) and nut (part #3) on both sides and then tighten.
2. Secure the hitch hinge (part #10) onto the base frame as shown in the diagram using bolt (part #7) and washer (part #2) and nut (part # 3).
3. Insert the clip & pin (part # 8) through the closest hole to the base frame and the hitch hinge.

ACKNOWLEDGEMENT OF RISK AND RELEASE OF LIABILITY

The use of any equipment, including this one, involves the potential risk of injury. Apart from any warranty claim that might be presented for a claimed defect in material or workmanship of the product, you accept and assume full responsibility for any and all injuries, damages (both economic and non-economic), and losses of any type, which may occur, and you fully and forever release and discharge Titan, its insurers, employees, officers, directors, associates, and agents from any and all claims, demands, damages, rights of action, or causes of action, present or future, whether the same be known or unknown, anticipated, or unanticipated, resulting from or arising out of the use of said equipment.

This equipment must be used with care by capable and competent individuals under supervision, if necessary.

TITAN LIMITED WARRANTY: TERMS, EXCLUSIONS AND LIMITATIONS OF REMEDIES

This product comes with a one (1) year limited warranty that can be found at www.titanramps.com/warranty.html. Please review the same for all details regarding the Titan Limited Warranty.

THE TITAN LIMITED WARRANTY FOUND AT WWW.TITANRAMPS.COM/WARRANTY.HTML IS EXCLUSIVE AND IS IN LIEU OF ALL OTHER WARRANTIES, EXPRESS OR IMPLIED, INCLUDING ANY IMPLIED WARRANTY OF MERCHANTABILITY AND/OR FITNESS FOR A PARTICULAR PURPOSE, EACH OF WHICH IS HEREBY DISCLAIMED.



NEED HELP? CONTACT US FIRST.

1-800-605-7555

info@titanramps.com

www.titanramps.com

© 2021 Titan Brands