

# 18" GRATE DIA. KAMADO GRILL KIT

---

**KMDGRLKT18**

**899451**



## Operator's Manual



Read the Operator's Manual entirely. When you see this symbol, the subsequent instructions and warnings are serious follow without exception. Your life and the lives of others depend on it!

**TITAN**  
GREAT OUTDOORS

## IMPORTANT USER INSTRUCTIONS

---

Carefully remove any packaging before use but retain the safety instructions. These instructions form part of the product. Please take note of all the safety warnings listed in these instructions. Please read these instructions in their entirety and retain them for future reference. These instructions should be stored with the product. This product is for domestic use **ONLY** and should not be used commercially or for contract purposes.

## ABOUT YOUR KAMADO

---

Dating back 4000 years ago archaeologists have discovered large clay vessels thought to be early incarnations of the Kamado ceramic cooker. Since then, it has evolved in many ways; removable lid, added draft door for better heat control and the switch from wood to charcoal as the primary fuel. In Japan the Mushikamado was a round clay pot with a removable domed lid designed for steaming rice. The name 'Kamado' is, in fact, the Japanese word for 'stove' or 'cooking range'. This name was adopted by the Americans and has now become a generic term for this style of ceramic cooker.

Kamado cookers are extremely versatile. Not only can they be used for grilling or smoking but also pizzas, bread, pies, and cookies can be baked effortlessly inside them. Due to their excellent heat retention properties, high temperatures can be achieved and maintained by precise control of airflow via the top and bottom vents. High temperatures are ideal for fast cooking burgers and sausages whilst low heats will cook larger joints over a longer period. Why not try adding some wood chips to the charcoal or try combining different flavor wood chips to make your meats even more flavorsome.

## SAFETY GUIDELINES

---

### WARNINGS – CAUTION!

- This product is intended FOR OUTDOOR USE ONLY. DO NOT use indoors.
- ALWAYS keep children and pets at a safe distance from the oven when in use.
- NEVER leave a burning fire unattended.
- DANGER of carbon monoxide poisoning – NEVER light this product or let it smolder or cool down in confined spaces.
- DO NOT use this product in a tent, caravan, car, cellar, loft, or boat.
- DO NOT use under any awnings, parasols, or gazebos.
- FIRE HAZARD – Hot embers may emit while in use.
- CAUTION - DO NOT use petrol, white spirit, lighter fluid, alcohol or other similar chemicals for lighting or relighting.
- It is highly recommended that you use lump charcoal in your Kamado. It burns for longer and produces less ash which can restrict the airflow.
- DO NOT use coal in this product.
- IMPORTANT: When opening the lid at high temperatures it is essential to lift the lid only slightly, allowing air to enter slowly and safely, preventing any backdraft or flare-ups that may cause injury.
- DO NOT use the Kamado on decking or any other flammable surfaces such as dry grass, wood

chips, leaves or decorative bark.

- Ensure that the Kamado is positioned at least 2 meters away from flammable items.
- DO NOT use this Kamado as a furnace.
- ATTENTION: This product will become very hot, DO NOT move it during operation.
- ALWAYS USE heat resistant gloves when handling hot ceramics or cooking surfaces.
- Allow the unit to cool down completely before moving or storing.
- Always inspect the unit prior to use for fatigue and damage and replace as and when necessary.

### **CURING THE KAMADO**

- To start a fireplace rolled up newspaper with some lighter cubes or solid lighters on the charcoal plate (7) in the base of the Kamado. Then place 2 or 3 handfuls of lump charcoal over the top of the newspaper.
- DO NOT use petrol, white spirit, lighter fluid, alcohol or other similar chemicals for lighting or relighting.
- Open the bottom vent and light the newspaper using a long nosed lighter or safety matches.
- DO NOT overload the unit with fuel – if the fire is too intense this could damage the Kamado.
- Leave until all the fuel is used and extinguished.
- If the first burns are too high, it could damage the felt gasket seal before it has had the chance to mature properly.
- After first use inspect all fasteners for tightness.
- The metal band connecting your lid to the base will expand from the heat and this could become loose. It is recommended you check and if necessary, tighten the band with a spanner.
- You can now use your Kamado as normal.

### **EXTINGUISHING**

- To extinguish unit – stop adding fuel and close all the vents and the lid to allow the fire to die naturally.
- DO NOT use water to extinguish the charcoals as this could damage the ceramic Kamado. temperatures can be achieved and maintained by precise control of airflow via the top and bottom vents. High 3 Care and safe use guidelines

### **STORAGE**

- When not in use, and if stored outside, cover the Kamado once completely cooled with a suitable rain cover.
- The chrome plated cooking grill is NOT dishwasher safe; use a mild detergent with warm water.
- When using the Kamado push down on both locking wheels to stop the unit moving about during use.
- It is recommended the Kamado be stored under cover in a garage or shed over winter for complete protection.

### **CLEANING**

- The Kamado is self-cleaning. Heat it up to 260°C for 30 minutes and it will scorch off all the food and debris.
- DO NOT use water or any other types of cleaning product to clean the inside of your Kamado.

The walls are porous and will absorb any fluids used, this could cause the Kamado to crack. If the soot becomes excessive then use a wire brush or the ash tool (not supplied) to scrape off the carbon remnants before the next use.

- To clean the grills and grates use a non-abrasive cleaner once the unit has fully cooled.
- To clean the outer surface wait until the Kamado is cool and use a damp cloth with a mild detergent.

## **MAINTENANCE**

- Tighten the bands and oil the hinge 2 times a year or more if needed.

## **LIGHTING, USAGE AND CARE INFORMATION**

- Ensure the Kamado is positioned on a permanent, flat, level, heat resistant non-flammable surface away from flammable items.
- Ensure the Kamado has a minimum of 2m overhead clearance and has a minimum 2m clearance from other surrounding items.
- To start a fireplace rolled up newspaper with some lighter cubes or solid lighters on the charcoal plate (7) in the base of the Kamado. Then place 2 or 3 handfuls of lump charcoal over the top of the newspaper.
- DO NOT use petrol, white spirit, lighter fluid, alcohol or other similar chemicals for lighting or relighting.
- Open the bottom vent and light the newspaper using a long nosed lighter or safety matches. Once it has caught, leave the bottom vent and lid open for about 10 minutes to build a small bed of hot embers.
- Allow the charcoal to heat up and be kept red hot for at least 30 minutes prior to the first cooking on the kamado. DO NOT cook before the fuel has a coating of ash.
- It is recommended you don't stoke or turn the coals once they are alight. This allows the charcoals to burn more uniformly and efficiently.
- Once alight ONLY use heat resistant gloves when handling hot ceramics or cooking surfaces.
- See below for cooking instructions depending on temperature and duration.

## **LOW TEMPERATURE COOKING GUIDE**

- Light the lump charcoal according to the instructions above. DO NOT move or stoke the coals once lit.
- Open the bottom vent fully and leave the lid open for about 10 minutes to build a small bed of hot embers.
- Monitor the Kamado until it has risen to the desired temperature. See temperature cooking guide.
- Fully close the bottom vent to maintain the temperature.
- You are now ready to use the Kamado for cooking on.
- **IMPORTANT:** When opening the lid at high temperatures it is essential to lift the lid only slightly, allowing air to enter slowly and safely, preventing any backdraft or flare-ups that may cause injury.
- ALWAYS follow the FOOD COOKING INFORMATION stated on page 4 of this instruction manual.
- ALWAYS use heat resistant gloves when handling hot ceramics or cooking surfaces.

## **SMOKING GUIDE**

- Follow the instructions above as if you were starting a slow cook.
- Monitor the Kamado until it has risen to the desired temperature. See temperature cooking guide.
- Leave the bottom vent slightly open.
- Close the top vent and continue to check the temperature for a few more minutes.
- Using heat resistant gloves sprinkle the wood chips in a circle over the hot charcoal.
- You are now ready to use the Kamado to smoke on.
- TIP: Soak your wood chips or cooking planks in water for 15 minutes to prolong the smoking process.
- IMPORTANT: When opening the lid at high temperatures it is essential to lift the lid only slightly, allowing air to enter slowly and safely, preventing any backdraft or flare-ups that may cause injury.
- ALWAYS follow the FOOD COOKING INFORMATION stated on page 4 of this instruction manual.
- ALWAYS use heat resistant gloves when handling hot ceramics or cooking surfaces. 4 Care and safe use guidelines

## **HIGH TEMPERATURE COOKING GUIDE**

- Light the lump charcoal according to the instructions.
- Close the lid and fully open the top and bottom vents.
- Monitor the Kamado until it has risen to the desired temperature. See temperature cooking guide.
- Close the top vent halfway and continue to check the temperature for a few more minutes.
- You are now ready to use the Kamado for cooking on.
- IMPORTANT: When opening the lid at high temperatures it is essential to lift the lid only slightly, allowing air to enter slowly and safely, preventing any backdraft or flare-ups that may cause injury.
- ALWAYS follow the FOOD COOKING INFORMATION in this instruction manual.
- ALWAYS use heat resistant gloves when handling hot ceramics or cooking surfaces.

## **FOOD COOKING INFORMATION**

- DO NOT cook until the fuel has a coating of ash.
- Please read and follow this advice when cooking on your Kamado.
- Always wash your hands before and after handling uncooked meat and before eating.
- Always keep raw meat away from cooked meat and other foods.
- Before cooking ensure grill surfaces and tools are clean and free of old food residues.
- DO NOT use the same utensils to handle cooked and uncooked foods.
- Ensure all meat is cooked thoroughly before eating.
- CAUTION – eating raw or under cooked meat can cause food poisoning (e.g., bacteria strains such as E. coli).
- To reduce the risk of under cooked meat cut open to ensure it is cooked all the way through.
- CAUTION – if the meat has been cooked sufficiently the meat juices should be clear and there should be no traces of pink/red juice or meat coloring.
- Pre-cooking larger pieces of meat and joints is recommended before finally cooking on your grill.
- After cooking on your Kamado always clean the grill cooking surfaces and utensils.

## REFUELLING

- With the vents closed, the Kamado stays at a high temperature for several hours. If you require a longer cooking time (e.g., when roasting a whole joint or slow smoking), it may be necessary to add more charcoal. Just add some additional charcoal and continue as above.

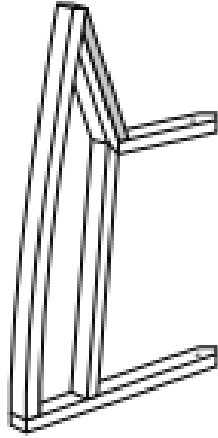
## COOKING TEMPERTURE GUIDE

Slow cook / Smoke (110°C-135°C)		Top vent	Bottom vent
Beef Brisket	2 Hrs per lb.		
Pulled Pork	2 Hrs per lb.		
Whole Chicken	3-4 Hr.		
Ribs	3-5 Hrs.		
Roasts	9+ Hrs.		
Grill / Roast (160°C-180°C)		Top vent	Bottom vent
Fish	15-20 Min.		
Pork Tenderloin	15-30 Min.		
Chicken Pieces	30-45 Min.		
Whole Chicken	1-1.5 Hrs.		
Leg of lamb	3-4 Hrs.		
Turkey	2-4 Hrs.		
Ham	2-5 Hrs.		
Sear (260°C-370°C)		Top vent	Bottom vent
Steak	5-8 Min.		
Pork Chops	6-10 Min.		
Burgers	6-10 Min.		
Sausages	6-10 Min.		

Open ○ Closed ●

# KMDGRLKT18 PARTS LIST/EXPLODED VIEW

1 (4x)



6 (1x)



10 (2x)



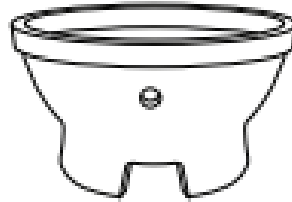
7 (1x)



11 (1x)



8 (1x)



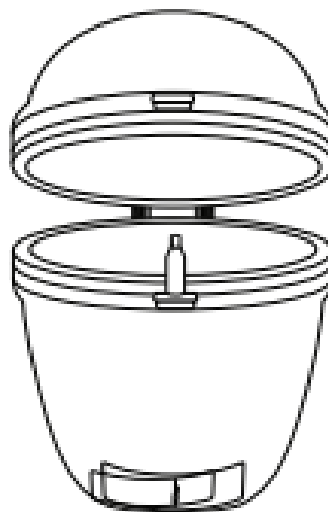
12 (1x)



2 (2x)



9 (1x)



13 (2x)



3 (2x)



14 (2x)



4 (2x)



15 (2x)



5 (1x)



A (16x)



B (4x)



C (2x)



D (2x)



E (4x)



**KMDGRLKT18 PARTS LIST**

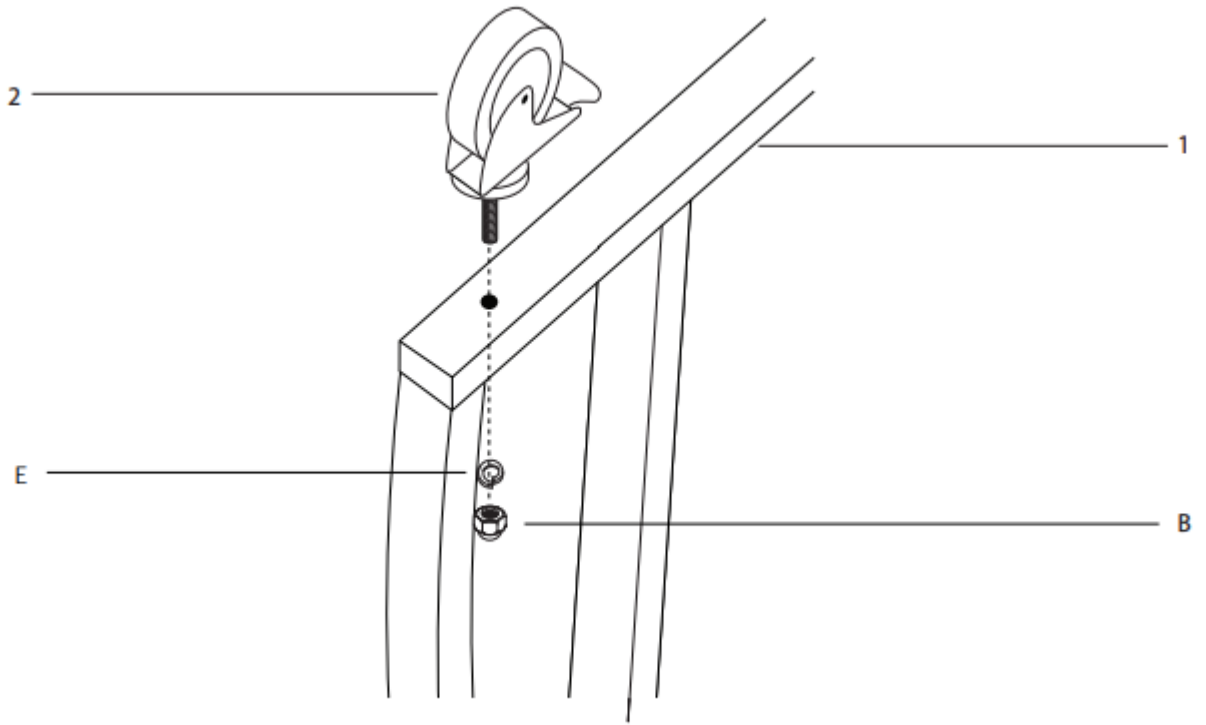
---

<b>KEY</b>	<b>BOX</b>	<b>DESCRIPTION</b>	<b>QTY</b>
(1)	1	STAND	4
(2)	1	CASTERS WITH BRAKES	2
(3)	1	CASTERS	2
(4)	1	STAND CONNECTING PIECE	2
(5)	1	COOKING GRILL	1
(6)	1	FIRE RING	1
(7)	1	CHARCOAL GRATE	1
(8)	1	FIRE BOX	1
(9)	1	GRILL BODY	1
(10)	1	HANDLE BRACKET	2
(11)	1	HANDLE	1
(12)	1	TOP VENT	1
(13)	1	SIDE TABLE	2
(14)	1	SIDE TABLE HOOK	2
(15)	1	SIDE TABLE HOOK	2
A	1	SHORT SCREW	16
B	1	SCREW CAP	4
C	1	LONG SCREW	2
D	1	SCREW NUT	2
E	1	GASKET	4



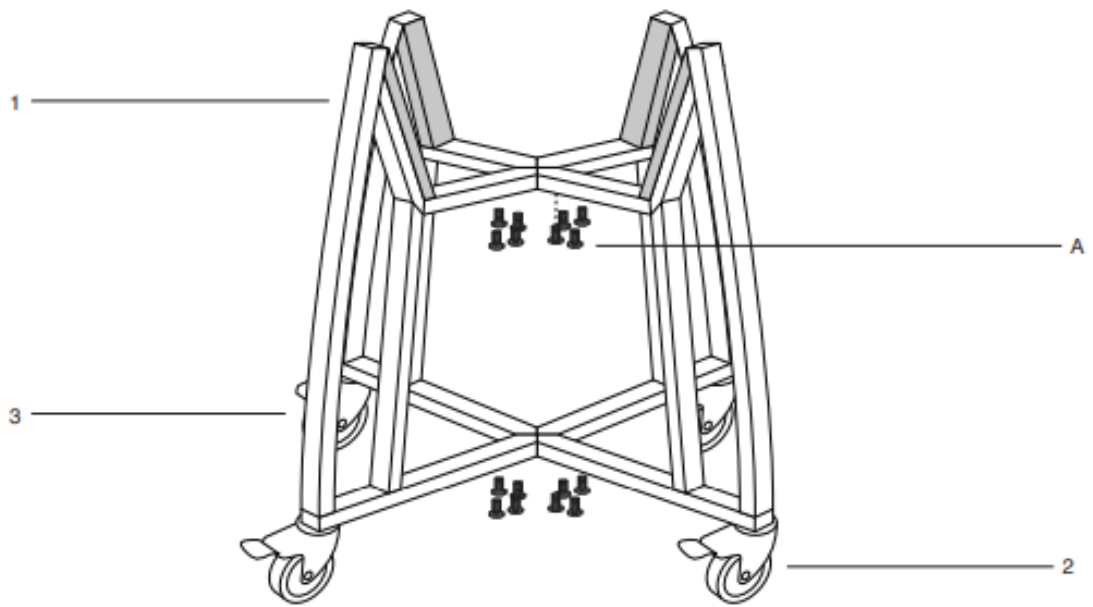
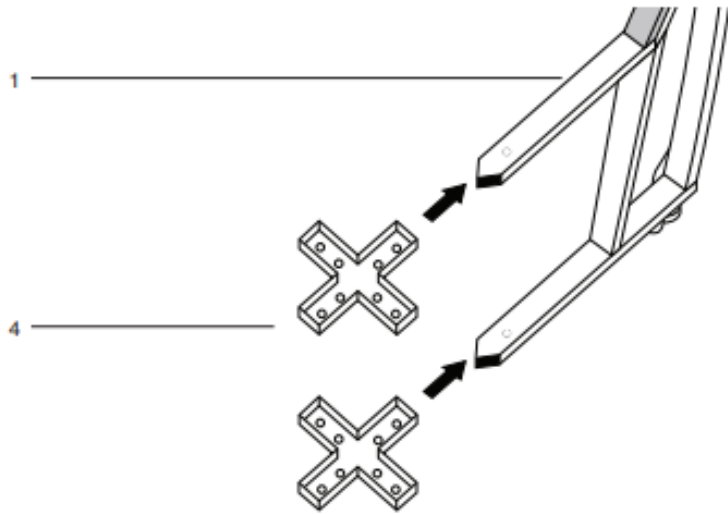
# ASSEMBLY INSTRUCTIONS

---



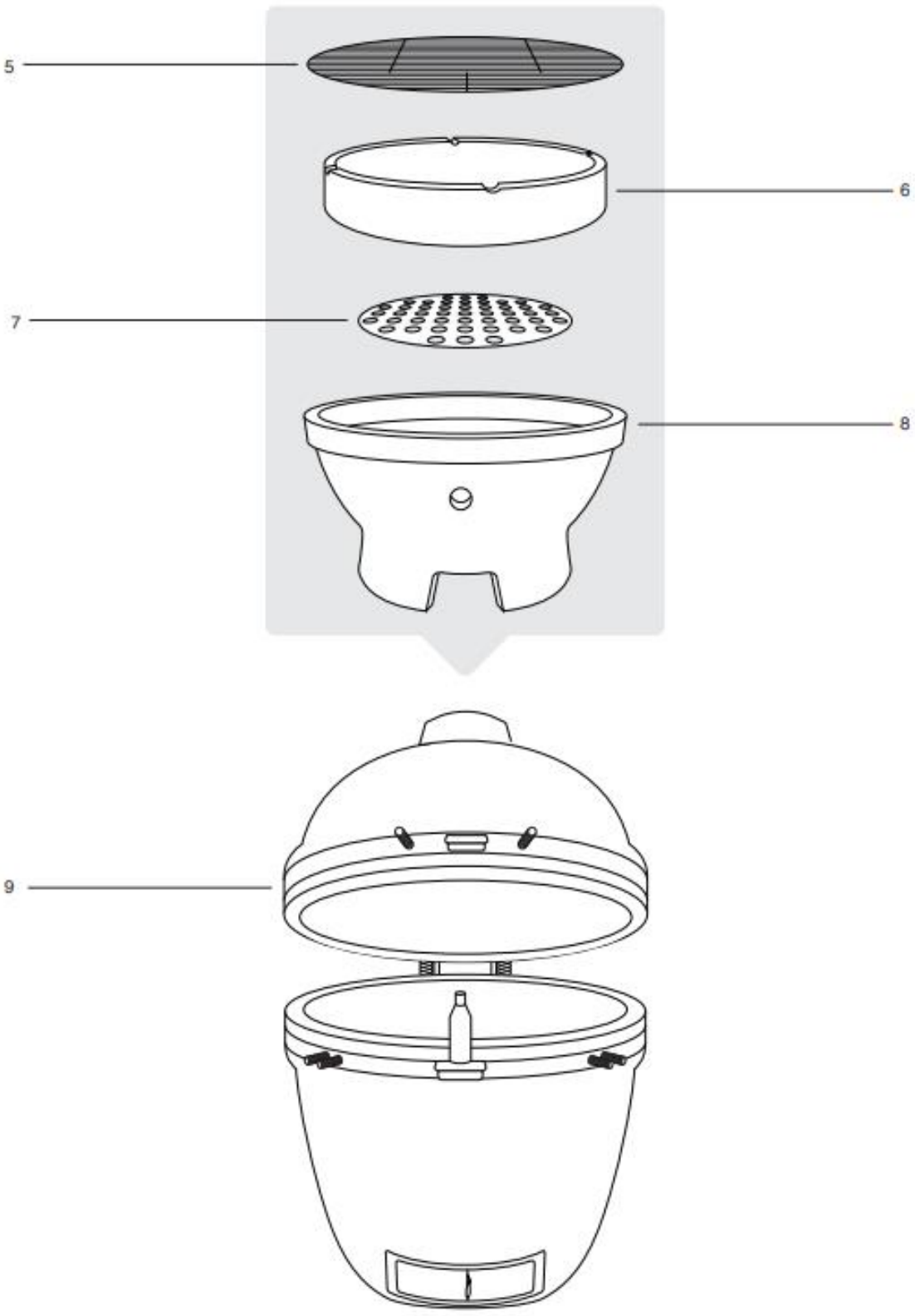
# ASSEMBLY INSTRUCTIONS

---



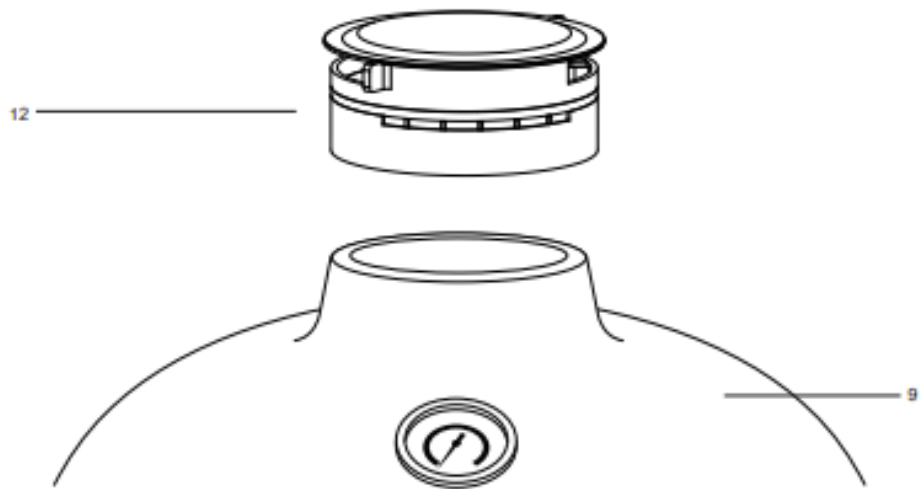
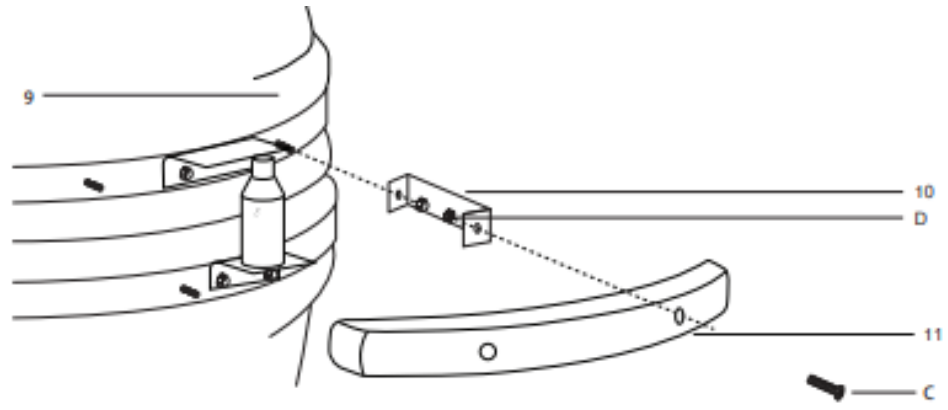
# ASSEMBLY INSTRUCTIONS

---



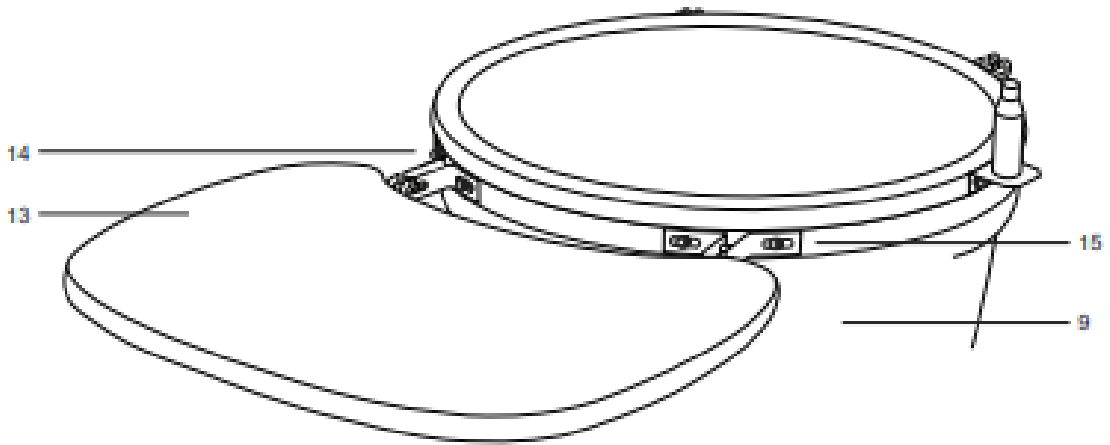
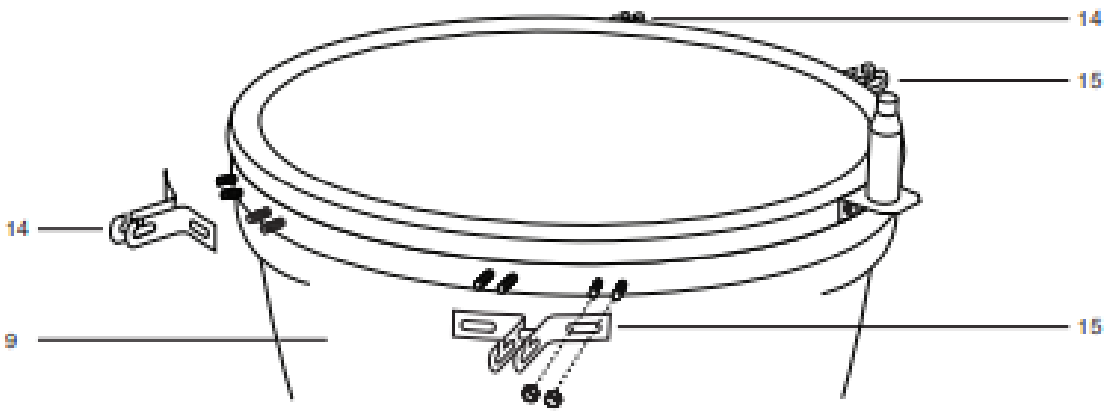
# ASSEMBLY INSTRUCTIONS

---



# ASSEMBLY INSTRUCTIONS

---



## ACKNOWLEDGEMENT OF RISK AND RELEASE OF LIABILITY

---

The use of any equipment, including this one, involves the potential risk of injury. Apart from any warranty claim that might be presented for a claimed defect in material or workmanship of the product, you accept and assume full responsibility for any and all injuries, damages (both economic and non-economic), and losses of any type, which may occur, and you fully and forever release and discharge Titan, its insurers, employees, officers, directors, associates, and agents from any and all claims, demands, damages, rights of action, or causes of action, present or future, whether the same be known or unknown, anticipated, or unanticipated, resulting from or arising out of the use of said equipment.

This equipment must be used with care by capable and competent individuals under supervision, if necessary.

## WARNING

---



Heavy object. Use lifting aids and proper lifting techniques when moving.



Choking hazard. Small parts – Please exercise caution if small children or pets are present.



Sharp objects may be involved. Use precaution and protection.

## TITAN LIMITED WARRANTY: TERMS, EXCLUSIONS AND LIMITATIONS OF REMEDIES

---

This product comes with a one (1) year limited warranty that can be found at [www.titangreatoutdoors.com/warranty.html](http://www.titangreatoutdoors.com/warranty.html). Please review the same for all details regarding the Titan Limited Warranty.

**THE TITAN LIMITED WARRANTY FOUND AT [WWW.TITANGREATOUTDOORS.COM/WARRANTY.HTML](http://WWW.TITANGREATOUTDOORS.COM/WARRANTY.HTML) IS EXCLUSIVE AND IS IN LIEU OF ALL OTHER WARRANTIES, EXPRESS OR IMPLIED, INCLUDING ANY IMPLIED WARRANTY OF MERCHANTABILITY AND/OR FITNESS FOR A PARTICULAR PURPOSE, EACH OF WHICH IS HEREBY DISCLAIMED.**



**NEED HELP? CONTACT US FIRST.**

**1-888-794-1455**

[info@titangreatoutdoors.com](mailto:info@titangreatoutdoors.com)  
[www.titangreatoutdoors.com](http://www.titangreatoutdoors.com)

© 2021 Titan Brands