

INFERNO SEIS

6BBQTBL1-6BBQTBL2
400743



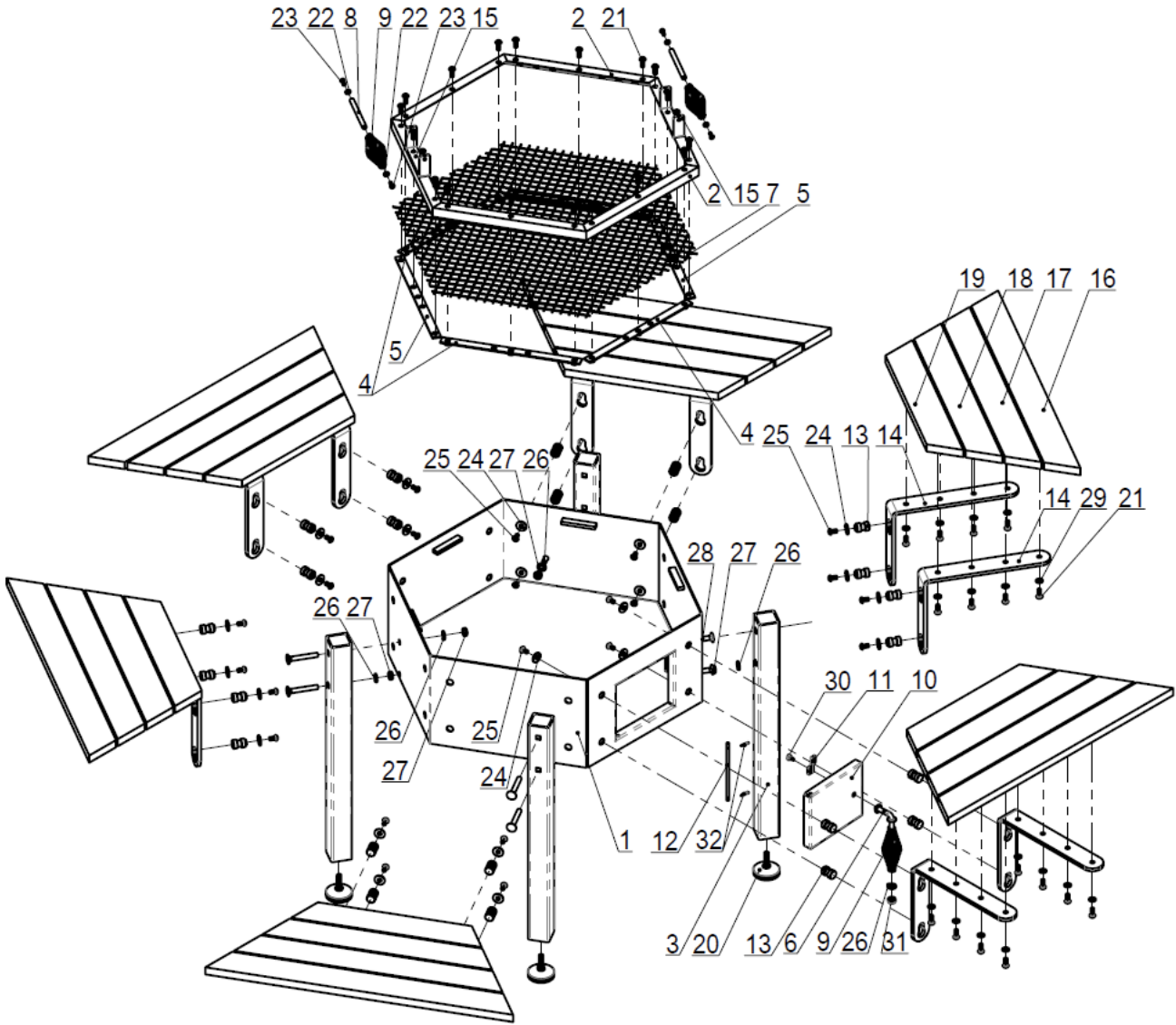
TITAN
GREAT OUTDOORS

Operator's Manual



Read the Operator's Manual entirely. When you see this symbol, the subsequent instructions and warnings are serious follow without exception. Your life and the lives of others depend on it!

PARTS DIAGRAM / EXPLODED VIEW

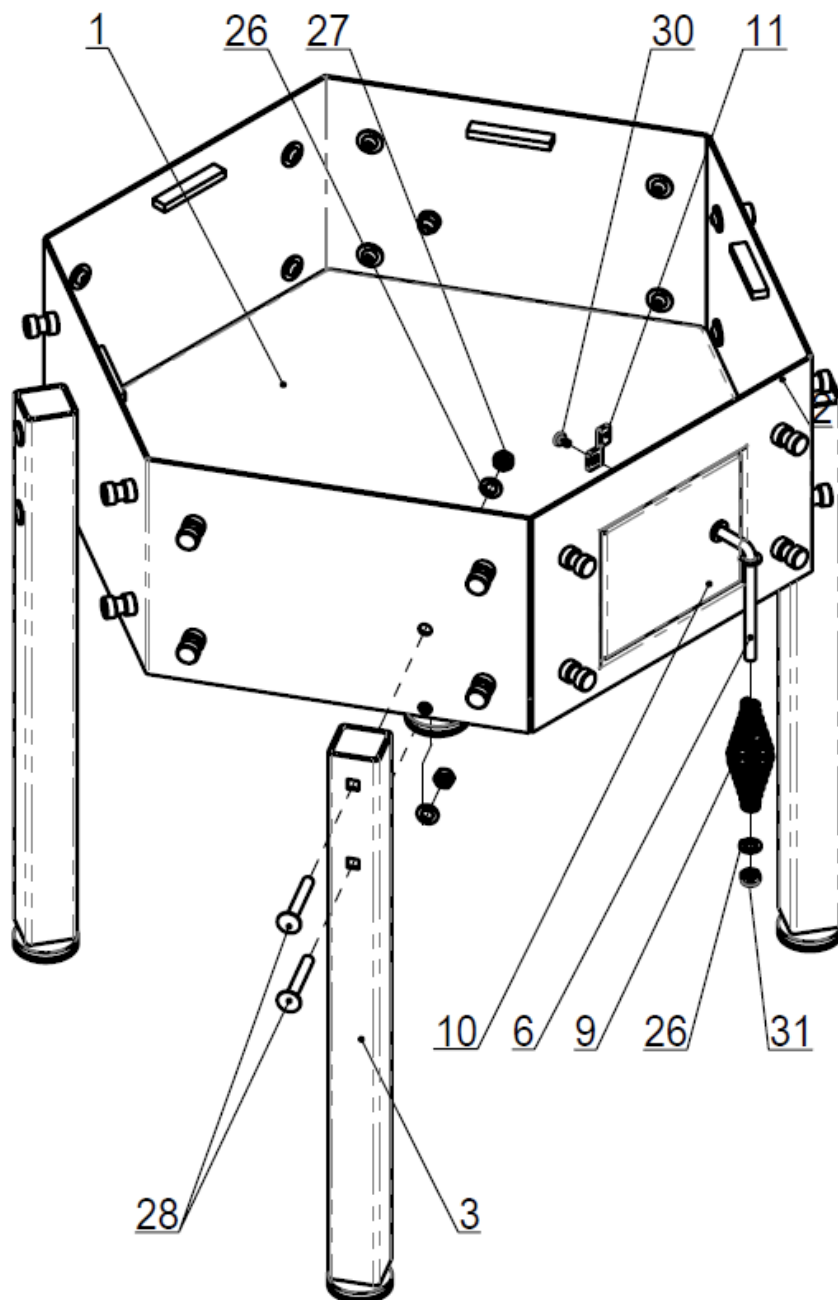


NO	DESCRIPTION	Q'TY	NO	DESCRIPTION	Q'TY
1.	STOVE FRAME	1	17	MID-LENGTH TABLE BOARD	6
2.	METAL MESH FRAME	1	18	MIDDLE TABLE BOARD	6
3.	UPRIGHT FRAME	4	19	SHORT TABLE BOARD	6
4.	FIXING PLATE	4	20	M10 FOOT PAD	4
5	FIXING PLATE	2	21	HEX BOLT M8*20	68
6	HANDLE FRAME	1	22	FLAT WASHER Φ6.6*Φ12*1.6	4
7	HEXAGONAL METAL MESH	1	23	HEX BOLT M6*15	4
8	HANDLE-BAR PILLAR	2	24	BIG WASHER Φ9*Φ24*2	24
9	SPRING	3	25	HEX BOLT M8*15	24
10	STOVE DOOR	1	26	FLAT WASHER Φ11*Φ20*2	9
11	DOOR DAMPER	1	27	NUT M10	8
12	ROTATION SHAFT	1	28	CARRIAGE BOLT M10*70	8
13	FIXING SLEEVE	24	29	FLAT WASHER Φ9*Φ16*1.6	48
14	SUPPORT FRAME	12	30	CROSS RECESS HEAD SCREW M6*10	1
15	GRIP HOLDER	2	31	NUT M10	1
16	LONG TABLE BOARD	6	32	COTTER PIN	2

ASSEMBLY INSTRUCTIONS

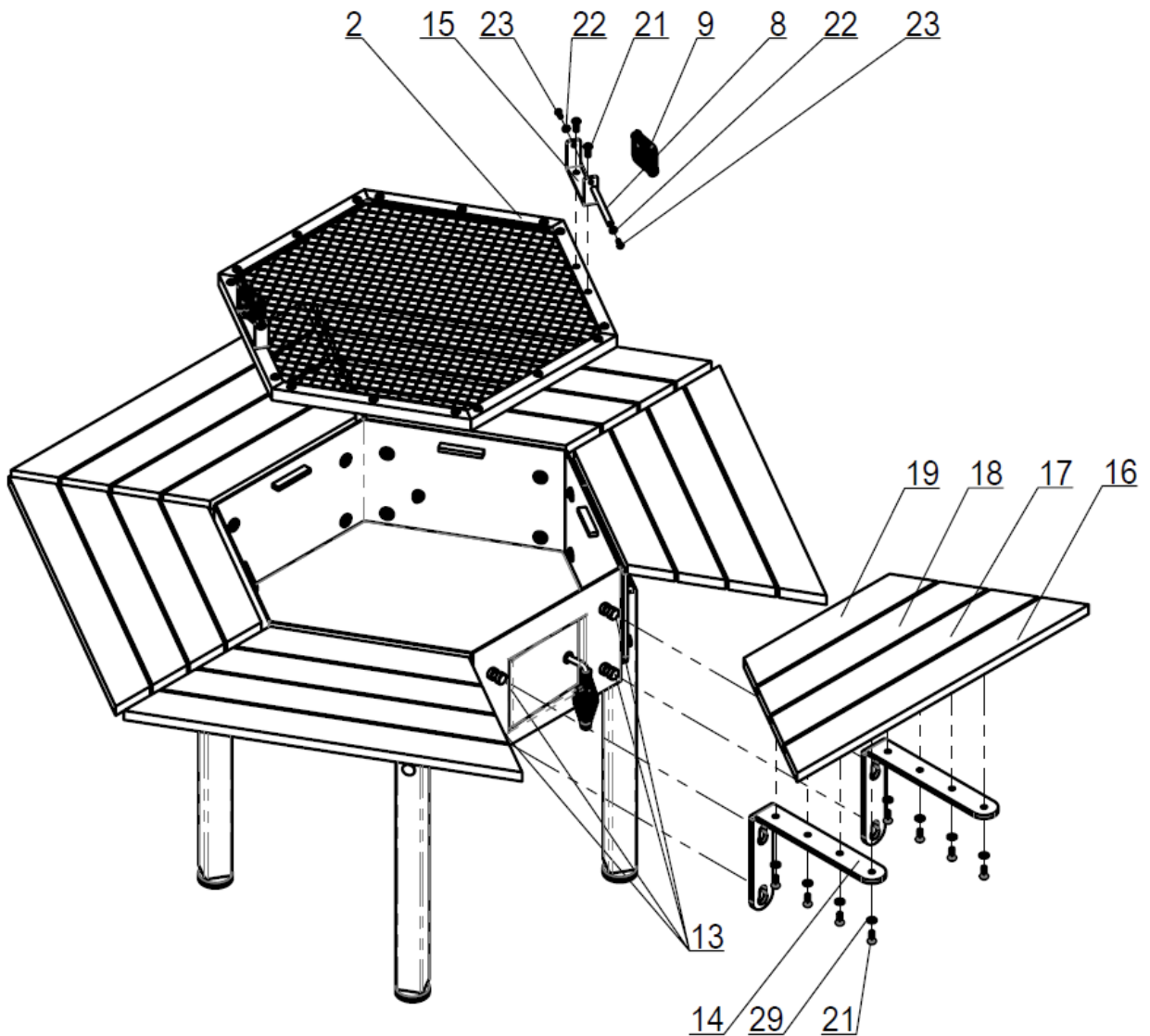
STEP 1

1. Install Upright Frame (3) on the Stove Frame (1), using Carriage Bolt M10*70 (28), Flat Washer $\Phi 11*\Phi 20*2$ (26), and Nut M10 (27).
2. Assemble Spring (9) and Handle Frame (6), using Flat Washer $\Phi 11*\Phi 20*2$ (26), and Nut M10 (31).
3. Install Handle Frame (6) and Door Damper (11) on the Stove Door (10), using Cross Recess Head Screw M6*10 (30).
4. TIGHTEN THE BOLTS.



STEP 2

1. Handle bar pillar (8) through the Spring (9) then fixing on the Grip Holder (15), using Flat Washer $\Phi 6.6 \times \Phi 12 \times 1.6$ (22), and Hex Bolt M6*15 (23). Install Grip Holder (15) on the Metal Mess Frame (2), using Hex Bolt M8*20 (21). Put Net Frame (2) into Stove Frame (1).
2. Install the Assemble Spring (9) and Handle Frame (6), using Flat Washer $\Phi 11 \times \Phi 20 \times 2$ (26), and Nut M10 (31).
3. Fixing Support Frame (14) on the Fixing Sleeve (13), then install the table grade (16,17,18,19) on the Support Frame (14), using Hex Bolt M8*20 (21).
4. TIGHTEN THE BOLTS.



ACKNOWLEDGEMENT OF RISK AND RELEASE OF LIABILITY

The use of any equipment, including this one, involves the potential risk of injury. Apart from any warranty claim that might be presented for a claimed defect in material or workmanship of the product, you accept and assume full responsibility for any and all injuries, damages (both economic and non-economic), and losses of any type, which may occur, and you fully and forever release and discharge Titan, its insurers, employees, officers, directors, associates, and agents from any and all claims, demands, damages, rights of action, or causes of action, present or future, whether the same be known or unknown, anticipated, or unanticipated, resulting from or arising out of the use of said equipment.

This equipment must be used with care by capable and competent individuals under supervision, if necessary.

WARNING



Heavy object. Use lifting aids and proper lifting techniques when moving.



Choking hazard. Small parts – Please exercise caution if small children or pets are present.



Sharp objects may be involved. Use precaution and protection.

TITAN LIMITED WARRANTY: TERMS, EXCLUSIONS AND LIMITATIONS OF REMEDIES

This product comes with a one (1) year limited warranty that can be found at www.titangreatoutdoors.com/warranty.html. Please review the same for all details regarding the Titan Limited Warranty.

THE TITAN LIMITED WARRANTY FOUND AT WWW.TITANGREATOUTDOORS.COM/WARRANTY.HTML IS EXCLUSIVE AND IS IN LIEU OF ALL OTHER WARRANTIES, EXPRESS OR IMPLIED, INCLUDING ANY IMPLIED WARRANTY OF MERCHANTABILITY AND/OR FITNESS FOR A PARTICULAR PURPOSE, EACH OF WHICH IS HEREBY DISCLAIMED.



NEED HELP? CONTACT US FIRST.

1-888-794-1455

info@titangreatoutdoors.com
www.titangreatoutdoors.com

© 2021 Titan Brands