

INDUSTRIAL WIRE CRATE CART

RLLPLTFRM - UTLCART

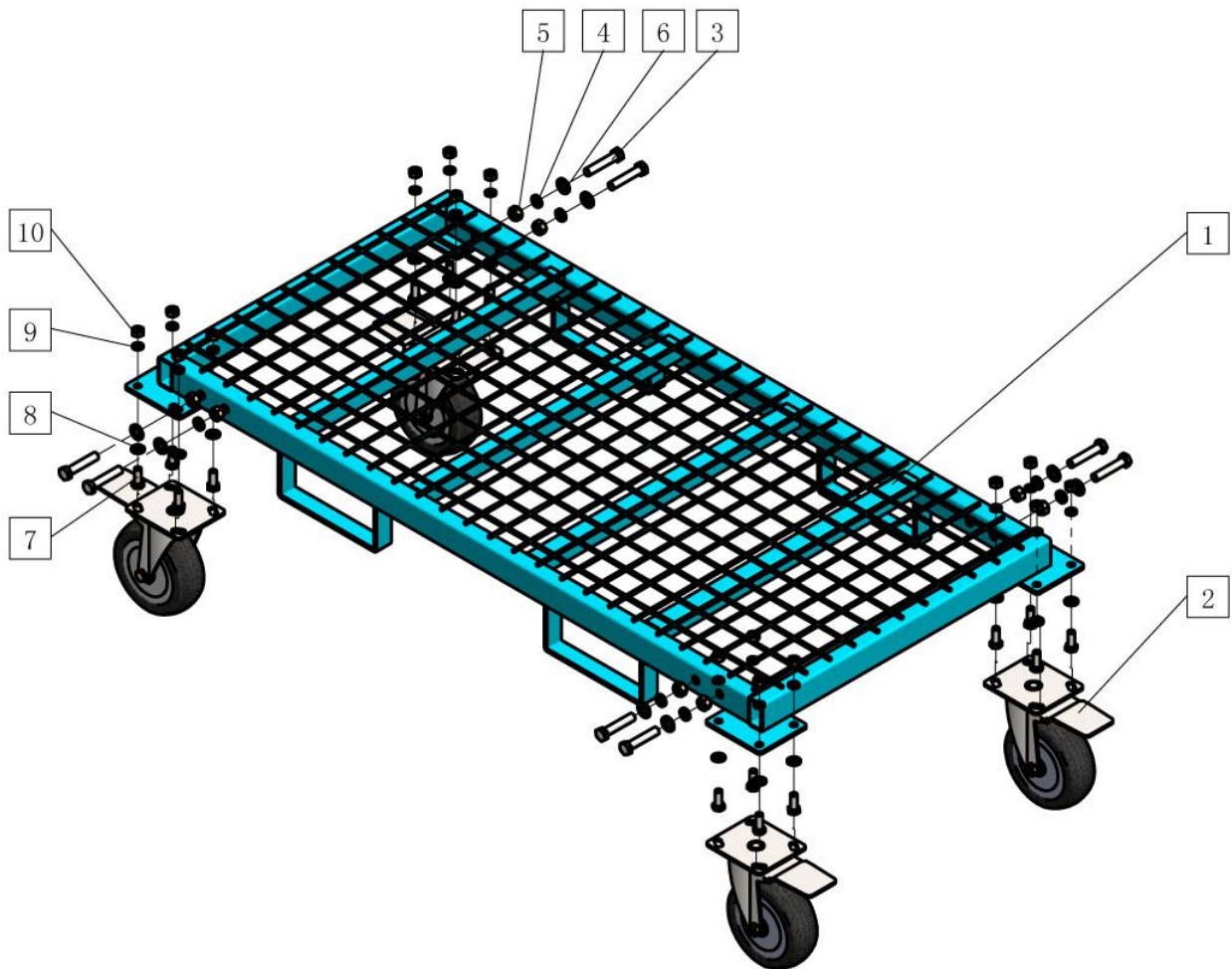
840128



Operator's Manual

Read the Operator's Manual entirely. When you see this symbol, the subsequent instructions and warnings are serious follow without exception. Your life and the lives of others depend on it!

RLLPLTFRM PARTS DIAGRAM / EXPLODED VIEW



KEY	DESCRIPTION	QTY
(1)	ROLLER PLATFORM	1
(2)	6" SWIVEL CASTOR WHEEL W/LOCK	4
(3)	HEXA BOLT M12X60	8
(4)	SPRING WASHER 12	8
(5)	HEX NUT M12	8
(6)	FLAT WASHER 12	8
(7)	HEX BOLT M10X25	16
(8)	FLAT WASHER 10	16
(9)	SPRING WASHER 10	16
(10)	HEX NUT M10	

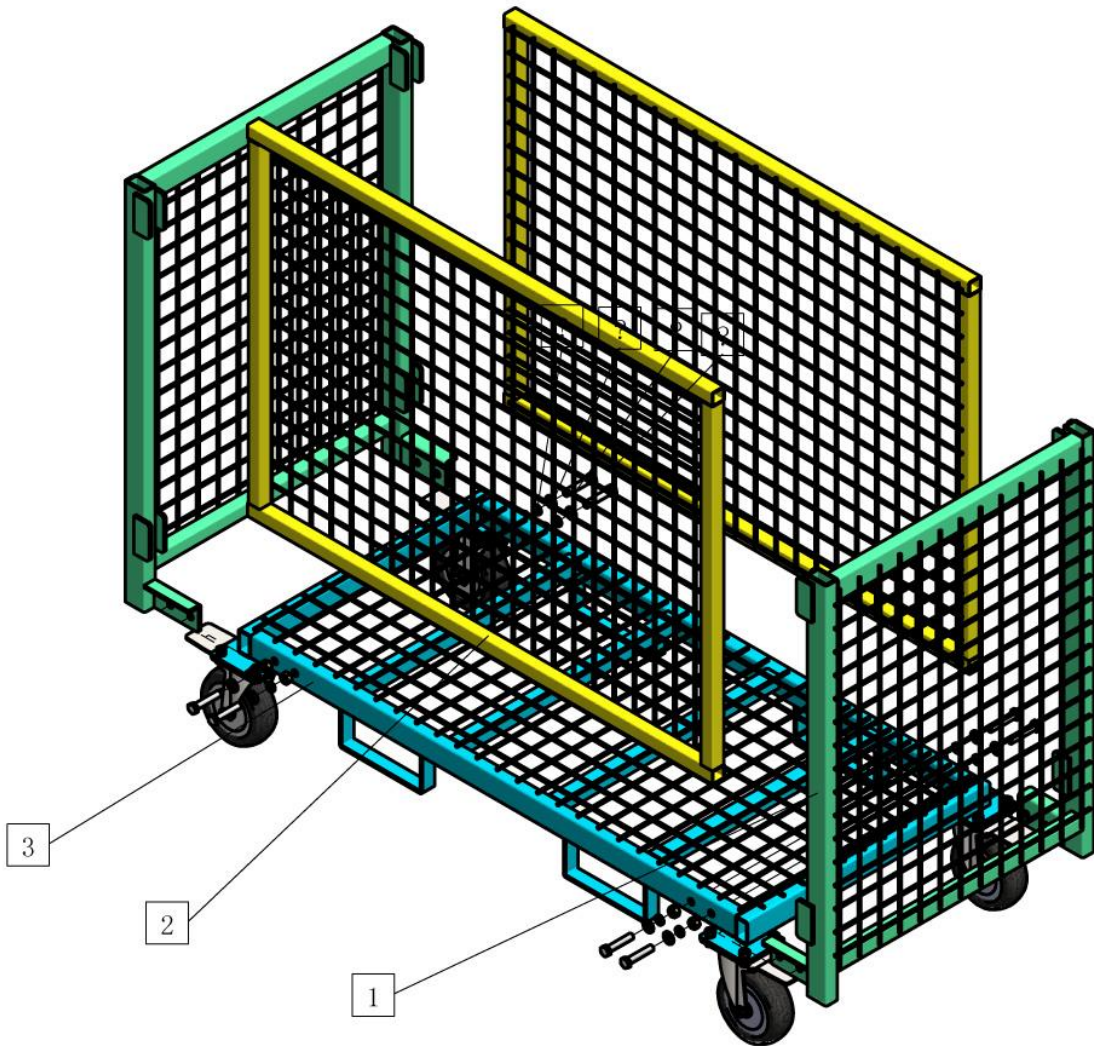
RLLPLTFRM ASSEMBLY INSTRUCTIONS

SPECIAL NOTES:

- Build on flat and level ground
 - Avoid tightening bolts down completely until the rack is fully assembled
1. Attach wheels on bottom of Roller Platform
 2. Lay Roller Platform (1) upside down on flat ground. Align holes of the Castor Wheel (2) with the holes of Roller Platform (1) at 4 corners.
 3. Fasten the Castor Wheel (2) and Roller Platform (1) using Hex Bolt M10x25 (7), Flat Washer 10 (8), Spring Washer 10 (9) and Hex Nut M10 (10).
 - a. The order of assembling is to push HEXA BOLT M10x25 (7) through the holes, and then and then place FLAT WASHER 10 (8), SPRING WASHER 10 (9) and HEX NUT M10 (10) onto the end of the bolt.
 4. Fasten the hardware on, but do not tighten until the rack is fully assembled.

HARDWARE FOR ASSEMBLING VARIOUS ATTACHMENTS INCLUDING BNDLCART, TIERCART AND UTLCART IS INCLUDED:

- Hex Bolt M12x60 (3): 8 pcs
- Spring Washer 12 (4): 8 pcs
- Hex Bolt M12 (5): 8 pcs
- Flat Washer 12 (6): 8 pcs



KEY	PRODUCT	DESCRIPTION	QTY
(1)	ULTCART	FRONT/REAR PANEL	2
(2)	ULTCART	SIDE PANEL	2
(3)	RLLPLTFRM	ROLLER PLATFORM	1

UTLCART ASSEMBLY INSTRUCTIONS

SPECIAL NOTES:

- Build on flat and level ground
- Avoid tightening bolts down completely until the rack is fully assembled

Hardware pack is included in the RLLPLTFRM you have purchased including:

- Hex Bolt M12x60: 8 pcs
- Spring Washer 12: 8 pcs
- Hex Bolt M12: 8 pcs
- Flat Washer 12: 8 pcs

FRONT/REAR PANEL ONTO ROLLER PLATFORM:

1. Lay the Roller Platform (3) flat ground.
2. Place the Front/Rear Panel (1) at upright position on each end of the Roller Platform (3).
3. Align holes of the Front/Rear Panel (1) with the holes Roller Platform (3) on 4 sides.
4. Fasten the Front/Rear Panel (1) and Roller Platform (3) using Hex Bolt M12x60, Flat Washer 12, Spring Washer 12, and Hex Nut M12.
 - a. The order of assembling is to push HEX BOLT M12x60 through the holes, and then and then place FLAT WASHER 12, SPRING WASHER 12 and HEX NUT M12 onto the end of the bolt.
5. Fasten the hardware on, but do not tighten.

INSERT THE SIDE PANELS ON BOTH SIDES

1. Insert the Side Panels (2) through the channels of Front/Rear Panel (1) at both sides.
2. Tighten all hardware.

ACKNOWLEDGEMENT OF RISK AND RELEASE OF LIABILITY

The use of any equipment, including this one, involves the potential risk of injury. Apart from any warranty claim that might be presented for a claimed defect in material or workmanship of the product, you accept and assume full responsibility for any and all injuries, damages (both economic and non-economic), and losses of any type, which may occur, and you fully and forever release and discharge Titan, its insurers, employees, officers, directors, associates, and agents from any and all claims, demands, damages, rights of action, or causes of action, present or future, whether the same be known or unknown, anticipated, or unanticipated, resulting from or arising out of the use of said equipment.

This equipment must be used with care by capable and competent individuals under supervision, if necessary.

WARNING



Do not overfill! Mower should be level when checking oil in gear box.



some activities might be able to cause electric shock



Sharp objects may be involved.
Use protective cover during maintenance.

TITAN LIMITED WARRANTY: TERMS, EXCLUSIONS AND LIMITATIONS OF REMEDIES

This product comes with a one (1) year limited warranty that can be found at www.palletforks.com/warranty.html. Please review the same for all details regarding the Titan Limited Warranty.

THE TITAN LIMITED WARRANTY FOUND AT WWW.PALLETFORKS.COM/WARRANTY.HTML IS EXCLUSIVE AND IS IN LIEU OF ALL OTHER WARRANTIES, EXPRESS OR IMPLIED, INCLUDING ANY IMPLIED WARRANTY OF MERCHANTABILITY AND/OR FITNESS FOR A PARTICULAR PURPOSE, EACH OF WHICH IS HEREBY DISCLAIMED.



NEED HELP? CONTACT US FIRST.

1-800-605-7595

info@palletworks.com
www.palletforks.com

© 2021 Titan Brands