

OPEN HEX RACKABLE TRAP BAR

ORKTPBR

430093

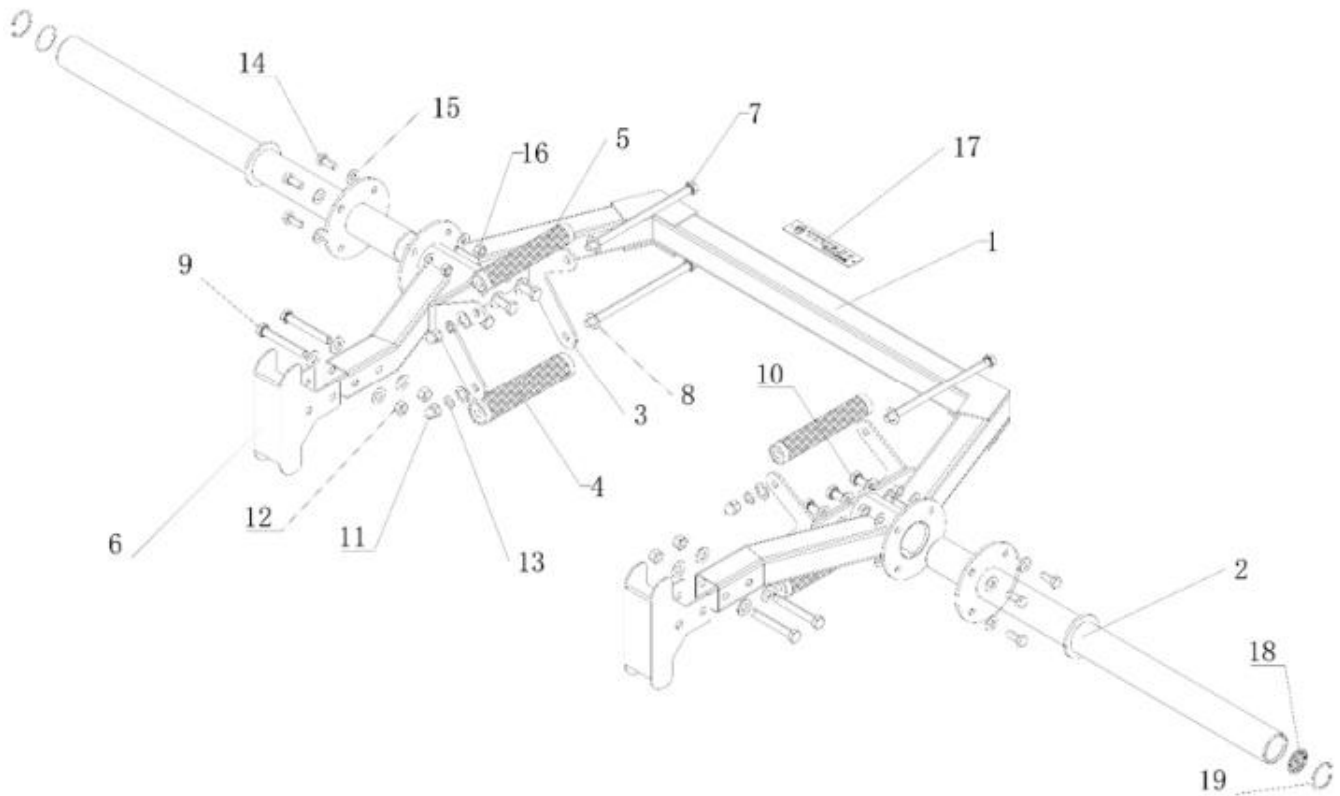


Operator's Manual



Read the Operator's Manual entirely. When you see this symbol, the subsequent instructions and warnings are serious follow without exception. Your life and the lives of others depend on it!

PARTS DIAGRAM / EXPLODED VIEW

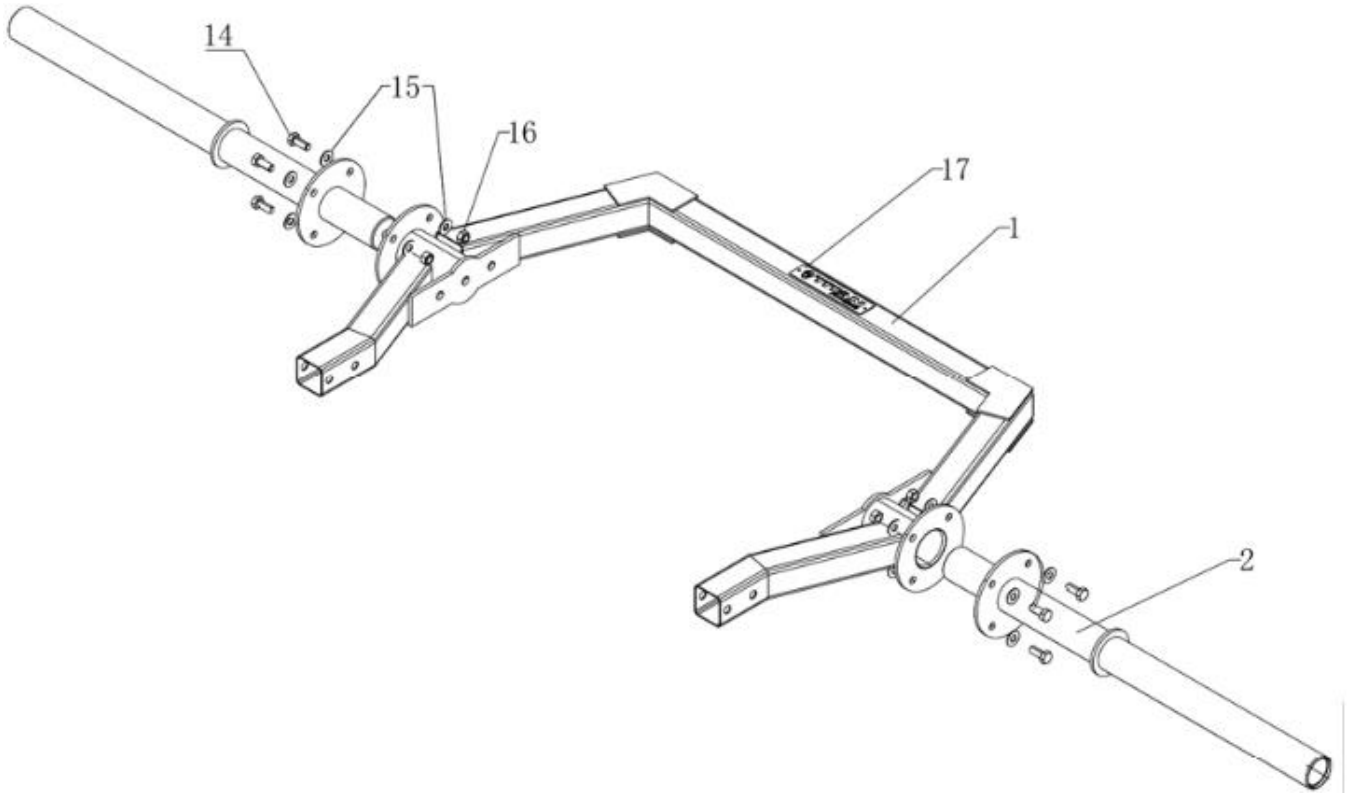


(14) SLEEVE BOLT M10-25L <i>use 17mm wrench</i>		BOLTS actual size
(10) HANDLE BOLT M12-25L <i>use 19mm wrench</i>		
(9) FOOT BOLT M12-85L <i>use 19mm wrench</i>		

KEY	DESCRIPTION	QTY
1	FRAME	1
2	WEIGHT PLATE SLEEVE	2
3	HANDLE BRACKET	2
4	HANDLE -38MM DIAMETER	2
5	HANDLE-32MM DIAMETER	2
6	FOOT	2
7	BOLT M12-220L (19MM WRENCH)	4
8	WASHER M12	26
9	FOOT BOLT M12-85L (19MM WRENCH)	4
10	HANDLE BOLT M12-25L (19MM WRENCH)	6
11	HEXAGON CAP NUT M12 (19MM WRENCH)	4
12	HEXAGON NUT M12 (19MM WRENCH)	8
13	ELASTIC WASHER M12	4
14	SLEEVE BOLT M10-25L (17MM WRENCH)	8
15	WASHER M10	16
16	HEXAGON NUT M10 (17MM WRENCH)	8
17	STAINLESS STEEL LOGO PLATE	1
18	END CAP LOGO	2
19	END CAP CLIP	2

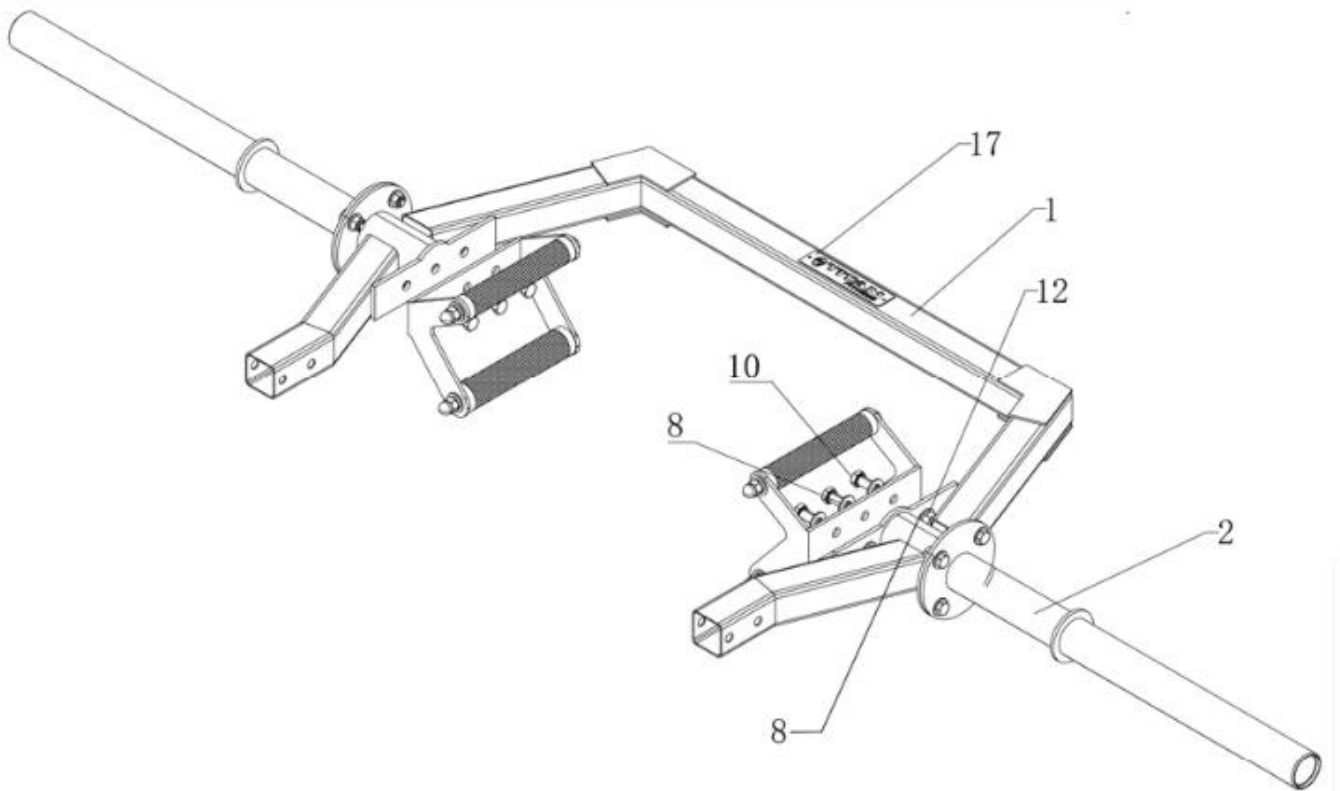
ASSEMBLY INSTRUCTIONS

STEP 1



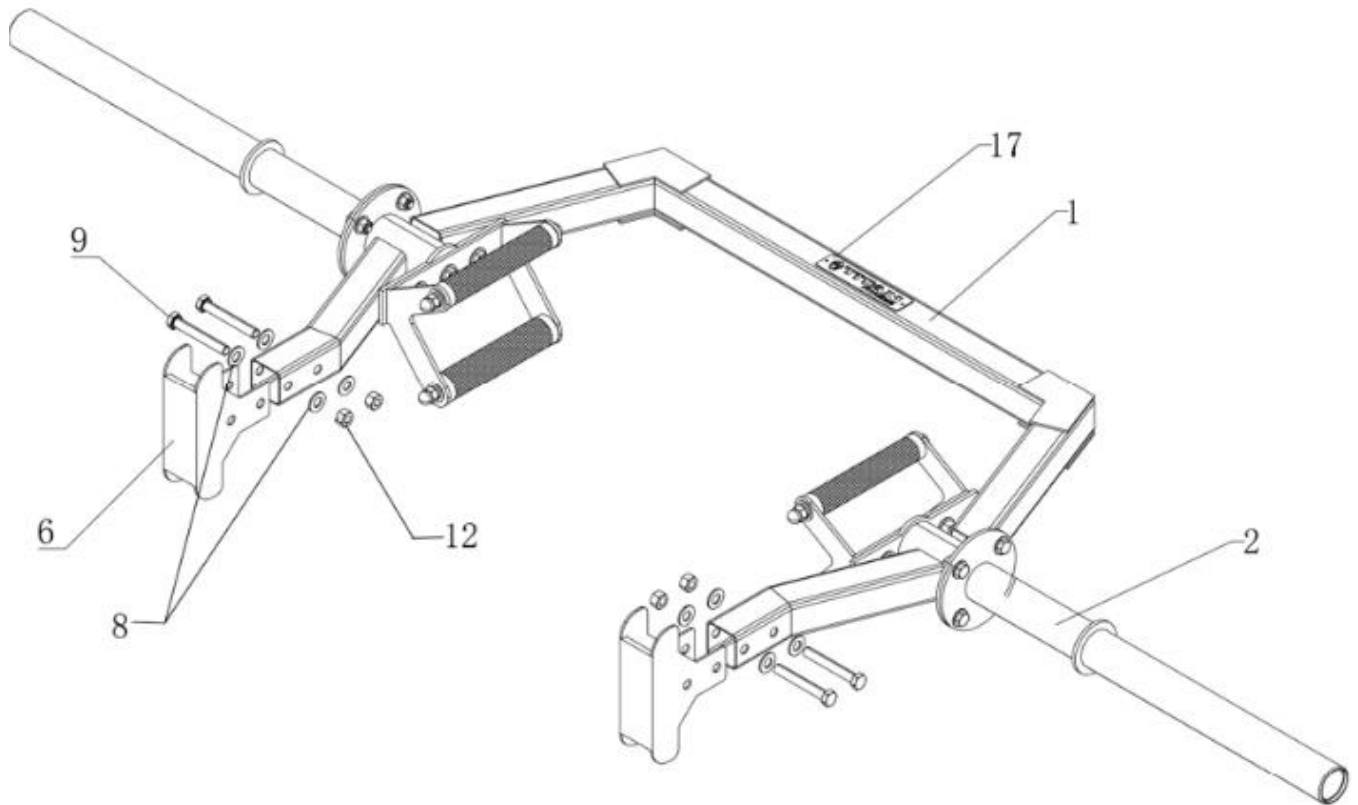
1. Insert (2) WEIGHT PLATE SLEEVE into (1) FRAME.
2. Insert (14) BOLT M10-25L with (15) WASHER M10 and fasten to (15) WASHER M19 and (16) HEXAGON NUT M10. Tighten all four bolt-washers-nut sets to firmly attach sleeve to frame.
3. Repeat same process on the other side.

STEP 2



1. Center Bracket Hole - Take (3) HANDLE BRACKET ASSEMBLY and attach to (1) FRAME by inserting (10) BOLT M12-25L and (8) WASHER M12 into the center bracket hole. The center bolt washer set fastens directly into (2) WEIGHT PLATE SLEEVE.
2. Side Bracket Holes - Insert (10) BOLT M12-25L and (8) WASHER M12 sets into (8) WASHER M12 and (12) HEXAGON NUT M12 sets.
3. Repeat process on the other side.

STEP 3



1. Slide (6) FOOT onto (1) FRAME and align holes.
2. Insert two (9) BOLTS M12-85L and (8) WASHER M12 sets through foot and frame, fastening with (8) WASHER M12 and (12) HEXAGON NUT M12 sets.
3. Repeat process on the other side

ACKNOWLEDGEMENT OF RISK AND RELEASE OF LIABILITY

The use of any equipment, including this one, involves the potential risk of injury. Apart from any warranty claim that might be presented for a claimed defect in material or workmanship of the product, you accept and assume full responsibility for any and all injuries, damages (both economic and non-economic), and losses of any type, which may occur, and you fully and forever release and discharge Titan, its insurers, employees, officers, directors, associates, and agents from any and all claims, demands, damages, rights of action, or causes of action, present or future, whether the same be known or unknown, anticipated, or unanticipated, resulting from or arising out of the use of said equipment.

This equipment must be used with care by capable and competent individuals under supervision,

WARNING



Heavy object. Use lifting aids and proper lifting techniques when moving.



Choking hazard. Small parts – Please exercise caution if small children or pets are present.



Sharp objects may be involved. Use precaution and protection.

TITAN LIMITED WARRANTY: TERMS, EXCLUSIONS AND LIMITATIONS OF REMEDIES

This product comes with a one (1) year limited warranty that can be found at www.titan.fitness/warranty.html Please review the same for all details regarding the Titan Limited Warranty.

THE TITAN LIMITED WARRANTY FOUND AT WWW.TITAN.FITNESS/WARRANTY IS EXCLUSIVE AND IS IN LIEU OF ALL OTHER WARRANTIES, EXPRESS OR IMPLIED, INCLUDING ANY IMPLIED WARRANTY OF MERCHANTABILITY AND/OR FITNESS FOR A PARTICULAR PURPOSE, EACH OF WHICH IS HEREBY DISCLAIMED.



NEED HELP? CONTACT US FIRST.

1-888-410-1503

info@titan.fitness

www.titan.fitness

© 2021 Titan Brands