

# DUAL MOTORCYCLE & DIRTBIKE CARRIER 1,000 LB CAPACITY WITH RAMP

---

MC1000

332201



**TITAN**  
RAMPS

## Operator's Manual



Read the Operator's Manual entirely. When you see this symbol, the subsequent instructions and warnings are serious follow without exception. Your life and the lives of others depend on it!

## GENERAL COMMENTS

---

Congratulations on the purchase of your new TITAN product! This product was carefully designed and manufactured to give you many years of dependable service. Only minor maintenance (such as cleaning and lubricating) is required to keep it in top working condition. Be sure to observe all maintenance procedures and safety precautions in this manual and on any safety decals located on the product and on any equipment that you use in conjunction with this product.

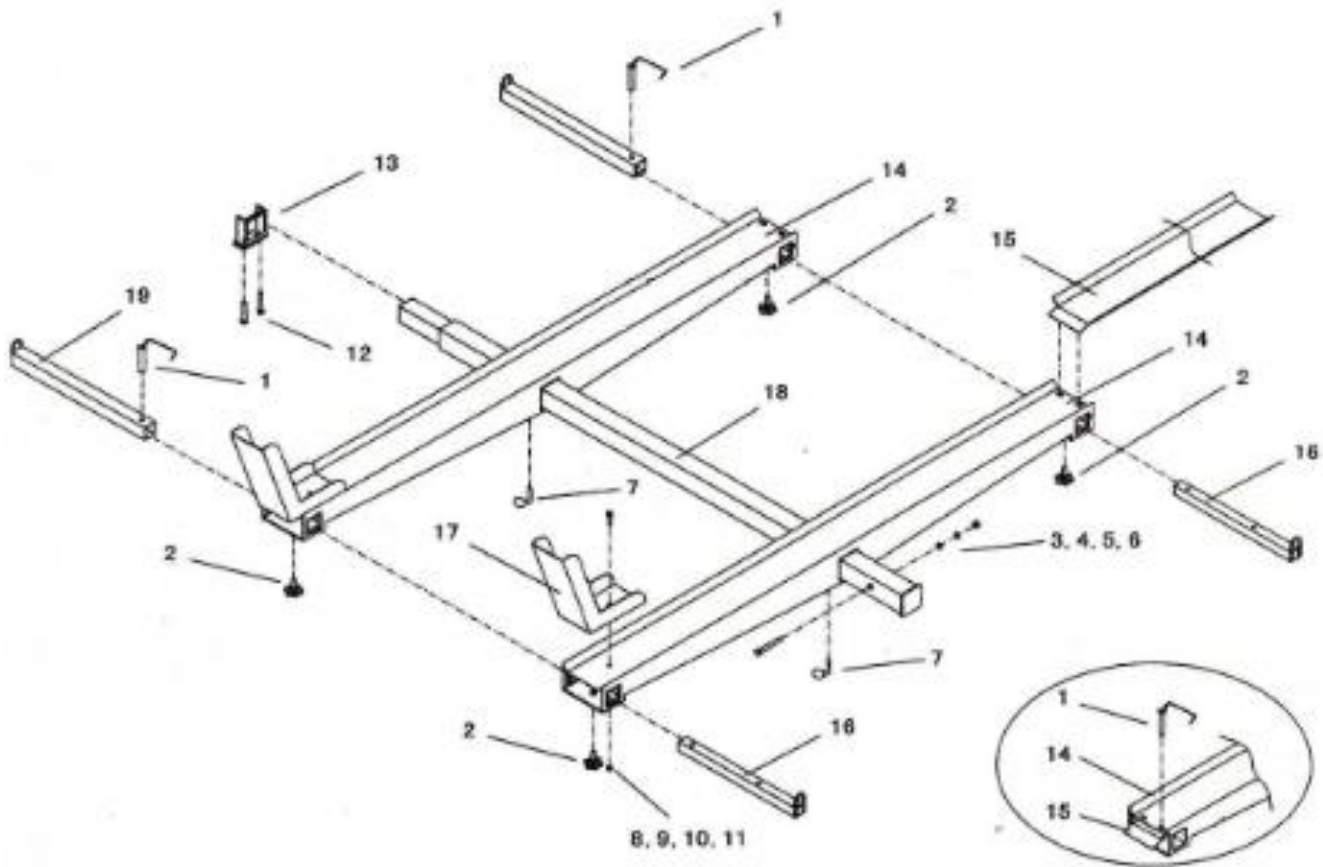
This manual has been designed to help you do a better, safer job. Read this manual carefully and become familiar with its contents.

# WARNING

**Misuse of this equipment may cause serious injury or death.**

- Read all safety warnings and instructions. Keep this manual for future reference.
- This is not a toy. Keep away from children.
- Check local and state laws before attaching or using carrier.
- Maximum weight capacity is 1000 LB. 500 LB per shelf.
- Do not stand, ride or sit on carrier at any time including loading and unloading.
- Keep bystanders out of the area during assembly, loading, and unloading.
- Loading a heavier object on this product can result in dangerous conditions to both the operator and the item loaded as well as bystanders.
- Inspect carrier for damage, loose or broken parts, and confirm all nuts, bolts, and other hardware are securely tightened or adjusted before using. Discontinue use if damage is present.

**PARTS DIAGRAM / EXPLODED VIEW**



Part	Description	Qty	Part	Description	Qty
1	Ø10 Pin	3	11	Nut M8	2
2	Bolt M10	4	12	Bolt M12x50	2
3	Bolt M16x90	1	13	Support Bar End	1
4	Ø16 Washer	1	14	Base	2
5	Ø16 Spring Washer	1	15	Plate	1
6	Nut M16	1	16	Small Connector	2
7	Bolt M12	2	17	Wheel Stop	2
8	Bolt M8x20	2	18	Support Bar	1
9	Ø8 Washer	2	19	Large Connector	2
10	Ø8 Spring Washer	2			

## ASSEMBLY INSTRUCTIONS

---

- This product comes fully assembled.

## ACKNOWLEDGEMENT OF RISK AND RELEASE OF LIABILITY

---

The use of any equipment, including this one, involves the potential risk of injury. Apart from any warranty claim that might be presented for a claimed defect in material or workmanship of the product, you accept and assume full responsibility for any and all injuries, damages (both economic and non-economic), and losses of any type, which may occur, and you fully and forever release and discharge Titan, its insurers, employees, officers, directors, associates, and agents from any and all claims, demands, damages, rights of action, or causes of action, present or future, whether the same be known or unknown, anticipated, or unanticipated, resulting from or arising out of the use of said equipment.

This equipment must be used with care by capable and competent individuals under supervision, if necessary.

## TITAN LIMITED WARRANTY: TERMS, EXCLUSIONS AND LIMITATIONS OF REMEDIES

---

This product comes with a one (1) year limited warranty that can be found at [www.titanramps.com/warranty.html](http://www.titanramps.com/warranty.html). Please review the same for all details regarding the Titan Limited Warranty.

**THE TITAN LIMITED WARRANTY FOUND AT [WWW.TITANRAMPS.COM/WARRANTY.HTML](http://WWW.TITANRAMPS.COM/WARRANTY.HTML) IS EXCLUSIVE AND IS IN LIEU OF ALL OTHER WARRANTIES, EXPRESS OR IMPLIED, INCLUDING ANY IMPLIED WARRANTY OF MERCHANTABILITY AND/OR FITNESS FOR A PARTICULAR PURPOSE, EACH OF WHICH IS HEREBY DISCLAIMED.**



**NEED HELP? CONTACT US FIRST.**

**1-800-605-7555**

[info@titanramps.com](mailto:info@titanramps.com)

[www.titanramps.com](http://www.titanramps.com)

© 2021 Titan Brands