

6 WAY DOZER BLADE

SS6DOZER72, SS6DOZER84

191606, 191607



Operator's Manual



Read the Operator's Manual entirely. When you see this symbol, the subsequent instructions and warnings are serious follow without exception. Your life and the lives of others depend on it!

NOTES FROM TITAN



- Please read the product manual completely before assembly
- Check against the parts list to make sure all parts are received
- Wear proper safety goggles or other protective gears while in assembly

**TO OPERATE THIS IMPLEMENT,
USER MUST FIRST CONNECT TO EXTERNAL 12V POWER SOURCE.**

GENERAL COMMENTS

Congratulations for having this dozer blade! Your concrete mixer was carefully designed and manufactured to give you years of dependable service. Your concrete mixer will require some minor maintenance (such as cleaning and lubricating) to keep it in top working condition. Be sure to observe all safety precautions and maintenance procedures as described in this manual.

ABOUT THIS MANUAL

This manual has been designed to help you do a better and safer job. Read this manual carefully and become familiar with its contents. Remember, never let anyone operate this unit without reading the "Safety Precautions" and "Operation Instructions" sections of this manual. Unless noted otherwise, right, and left sides are determined from the position of the skid steer operator sitting in the seat facing forward.

SERVICE

When service your dozer blade, pls. remember to use only manufacturer replacement parts. Substitute parts may not meet the standards required for safe, dependable operation. To facilitate parts ordering, pls. record the model No. and serial No. of the metal plate on your unit.

SAFETY PRECAUTIONS

The dozer blade is designed to be easy to use and maintain. They are operated by the skid steer auxiliary hydraulics. The dozer blade mount to the toolbar or quick attach mechanism for easy mounting.

BEFORE OPERATION

1. The operator must read the operation manual carefully before installation, operation or maintenance. Improper operation will cause the machine damaged or the operator dead.
2. Read all the safe signs and safe declarations. Obey all the professional safe terms, local laws, or the professional directions.
3. Familiar with the dozer blade about functions, specs, and operation. Replace the to-be-damaged parts in time. Make sure all the hydraulic installations and couplings connect firmly, and all the safe signs stick on the suitable positions clearly.

TO THE OPERATOR

1. Warning! Protect Against Flying Debris – Always wear proper safety glasses, goggles, or a face shield when driving pins in or out, or when any operation causes dust, flying debris, or any other hazardous material.
2. Don't modify the dozer blade casually.
3. Should keep the machine on the flat ground when repair, far away from the transportation and other dangerous places.
4. Should use the right tools to repair.
5. Don't operate the machine, unless you are professional, have certificates, and familiar with its functions, specs and safe operation rules.
6. Must not leave the machine when the machine is running. Must stop the engine at first and then remove the key if want to leave.

IMPORTANT SAFETY INFORMATION

THESE ARE STANDARD PRACTICES THAT MAY NOT APPLY TO THE PRODUCTS DESCRIBED IN THIS MANUAL.

SAFETY AT ALL TIMES

Thoroughly read and understand the instructions given in this manual before operation. Refer to the "Safety Label" section, read all instructions noted on them. Do not allow anyone to operate this equipment who has not thoroughly read and comprehended this manual. Do not allow anyone who has not adequately trained in the safe operation of the equipment.

- The operator must not use drugs or alcohol as they can change the alertness or coordination of that person while operating equipment. The operator should if taking over the counter drugs, seek medical advice on whether he/she can safely operate the equipment
- The operator should be familiar with all functions of the unit.
- Operate implement from the driver's seat only.
- Make sure all guards and shields are in place and secured before operating the tool.
- Do not leave a tractor or implement unattended with the engine running.
- Dismounting from a moving tractor could cause severe injury or death.
- Do not allow anyone to stand between tractor and implement while backing up to implement.
- Keep hands, feet, and clothing away from power-driven parts.
- Wear snug-fitting clothing to avoid entanglement with moving parts.
- Watch out for wires, trees, etc., when raising implements. Make sure all persons are clear of the working area.
- Turning the tractor too tight may cause implement to ride upon wheels. This activity could result in injury or equipment damage.
- Do not carry passengers on the tool at any time.
- Detach and store implement where children do not play often. Secure implements by using blocks and supports.



LOOK FOR THE SAFETY ALERT SYMBOL

The **SAFETY ALERT SYMBOL** indicates a potential hazard to personal safety, and individuals must take safety precautions. When you see this symbol, be alert and carefully read the message that follows it. In addition to the design and configuration of equipment, hazard control and accident prevention depend on the awareness, concern, prudence, and proper training of personnel involved in the operation, transport, maintenance, and storage.

BE AWARE OF SAFETY ALERT WORDS

DANGER: Indicates imminently hazardous practices. A situation that, if not avoided, will result in death or severe injury. The signal word is limited to the most extreme situation, typically for machine components that, for functional purposes, cannot be guarded.

WARNING: Indicates a potentially hazardous situation that, if not avoided, could result in death or severe injury, and includes hazards that are exposed when guards remove. Use warnings to alert against unsafe practices.

CAUTION: Indicates a potentially hazardous situation that may result in minor or moderate injury if not avoided. It may also be used to alert against unsafe practices.

FOR YOUR PROTECTION

Thoroughly read and understand the “Safety Label” section, read all instructions noted on them.

AVOID UNDERGROUND UTILITIES

- Always contact your local utility companies (electrical, telephone, gas, water, sewer, and others) before digging so that they may mark the location of any.
- Be sure to ask how close you can work to the marks they positioned.

SHUTDOWN AND STORAGE

- Lower lift arms and put attachment flat on the ground.
- Turn off engine and engage parking brake.
- If included, raise seat bar and move controls until both locks.
- Remove key to prevent unauthorized starting.
- Use steps, grab handles and anti-slip surfaces when getting on and off the loader.

USE SAFETY LIGHTS AND DEVICES

- Slow-moving tractors, self-propelled equipment, and towed implements can create a hazard when driven on public roads. They are challenging to see, especially at night.
- Flashing warning lights and we recommend turn signals whenever driving on the public road.

PRACTICE SAFE MAINTENANCE

- Understand procedure before doing work. Use proper tools and equipment, refer to Operator’s manual for additional information.
- Work in a clean dry area.
- Lower attached implement to the ground and follow all shutdown procedures before leaving

the operators seat to perform maintenance.

- Allow implement to cool completely before working on it
- Disconnect battery ground cable (-) before servicing or adjusting electrical systems or before welding on implement.
- Do not grease or oil implement while it is in operation.
- Inspect all parts. Make sure parts are in good condition & installed properly.
- Remove buildup of grease, oil, or debris.
- Remove all tools and unused parts from implement before operation.

TRANSPORT MACHINERY SAFELY

- Comply with state and local laws
- The maximum transport speed for implement is 20 mph, DO NOT EXCEED. Never travel at a rate that does not allow adequate control of steering and stopping. Some rough terrain requires a slower speed.
- Sudden braking can cause a towed load to swerve and upset. Reduce speed if the towed load is not equipped with brakes.
- Use the following maximum speed – tow load weight ratios as a guideline:
- 20 mph when weight is less than or equal to the weight of the tractor.
- 10 mph when weight is double the weight of the tractor.

IMPORTANT: Do not tow a load that is more than double the weight of the tractor.

KEEP RIDERS OFF MACHINERY

- Riders obstruct the operator's view; they could be struck by foreign objects or thrown from the machine.
- Never allow children to operate equipment.
- Practice Safe Maintenance
- Understand procedure before doing work. Use proper tools and equipment; refer to Operator's Manual for additional information.
- Work in a clean, dry area
- Lower the implement to the ground, put the tractor in park, turn off the engine, and remove the key before maintenance.
- Allow implement to cool completely.
- Do not grease or oil implement while it is in operation.
- Inspect all parts. Make sure details are in good condition and installed correctly.
- Remove the buildup of grease, oil, or debris.
- Remove all tools and unused parts from implementation before operation.

PREPARE FOR EMERGENCIES

- Be prepared if a fire starts.
- Keep a first aid kit and fire extinguisher handy
- Keep emergency numbers for doctor, ambulance, hospital, and fire department near the phone.

WEAR PROTECTIVE EQUIPMENT

- Wear protective clothing and equipment appropriate for the job. Avoid loose-fitting clothing.
- Prolonged exposure to loud noise can cause hearing impairment or hearing loss. Wear suitable hearing protection such as earmuffs or earplugs.
- Operating equipment safely requires the full attention of the operator. Avoid wearing radio headphones while operating machinery.

AVOID HIGH-PRESSURE FLUIDS HAZARD

- Escaping fluid under pressure can penetrate the skin causing severe injury.
- Avoid the hazard by relieving pressure before disconnecting hydraulic lines or performing work on the system.
- Ensure all hydraulic fluid connections are tight and all hydraulic hoses and lines are in good condition before applying pressure to the system.
- Use a piece of paper or cardboard, NOT BODY PARTS, to check for suspected leaks.
- Wear protective gloves and safety glasses or goggles when working with hydraulic systems.
- If an accident occurs, see a doctor immediately. Remember, any fluid injected into the skin must be treated within a few hours, or gangrene may result.

USE SEAT BELT AND ROPS

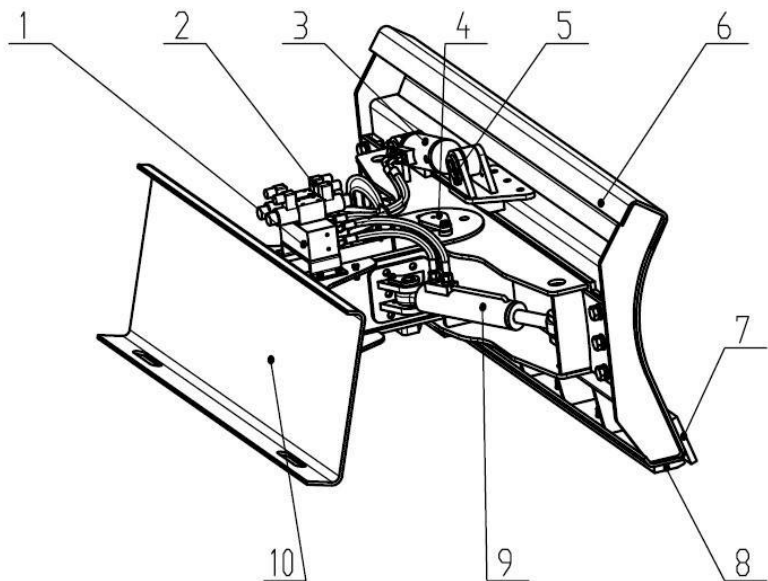
- Operate only skid steers equipped with a Roll-Overprotective Structure (ROPS) and seat belt.
- Fasten seat belt snugly and securely to help protect against serious injury or death from falling and skid steer overturn.
- Wearing protective equipment such as safety shoes, safety glasses, hard hat, and ear plugs is highly recommended.

TIRE SAFETY

- Tire changing can be dangerous, and trained personnel should be the only ones using correct tools and equipment.
- When inflating tires, use a clip-on chuck and extension hose long enough to allow you to stand to one side and NOT in front of or over the tire assembly. Use a safety cage if available.
- When removing and installing wheels, use wheel handling equipment adequate for the weight involved.

OPERATION INSTRUCTIONS

1. Manifold Block
2. Solenoid Valve
3. Deflection Cylinder
4. Kingpin
5. Cylinder Pin
6. Push Shovel
7. Cutting Blade
8. Bottom Blade
9. Steering Cylinder
10. Hitch Frame



1. Know this dozer blade's loading capacity, working pressure of hold should be $\leq 20\text{MPa}$.
2. **The SS6DOZER is manufactured standard with exposed wiring for power source connection. Operator will need to wire this to a 12V power source for proper function of the provided controller.**
3. Start host, connect attachment hitch frame with host frame, pressed the positioning lock pin handle.
4. Lifting host working arm. Before working, please in situ operation lever control dozer blade for all kinds of actions, in order to familiar with the operation of dozer blade, and check dozer blade's all origin parts in normal condition.

MAINTENANCE INSTRUCTIONS

Regular Maintenance is the key to keep machine work long life and safety, the following description of maintenance is more important.

- a. Check whether there is loose phenomenon, tighten loose parts immediately.
- b. Check attachment hydraulic system to see whether there is a leaking phenomenon, it should change leaking tuber connectors or tubers in time.
- c. Check equipment parts for damage and solder joint for cracks, repair it when necessary
- d. During maintenance, be sure to close the attachment engine, Hang up "maintenance" warning sign on obvious position of attachment, to prevent others closing.
- e. For replacement parts, user can only choose manufacturer approved parts for replacement.

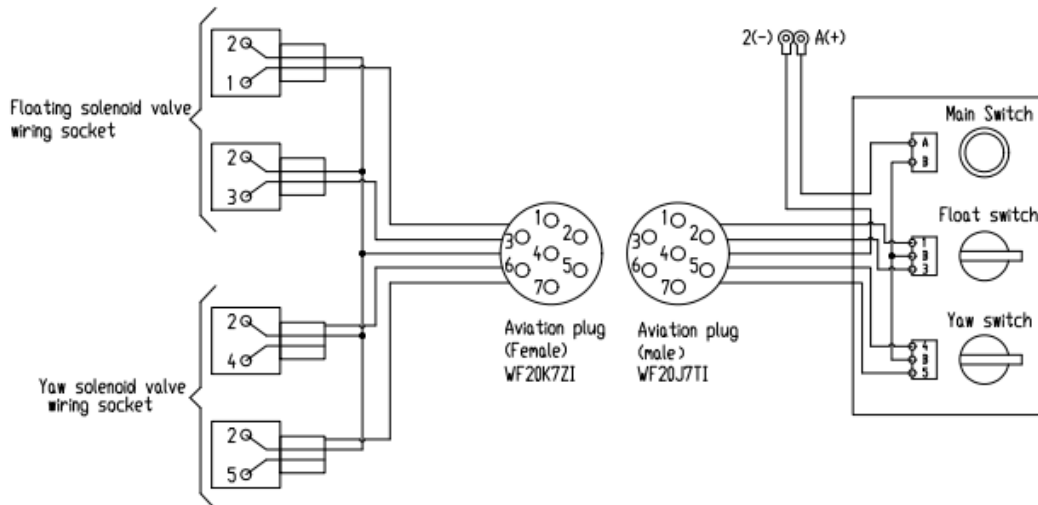
STORAGE INSTRUCTIONS

- After working, remove all piece, dirt, and grease on attachment.
- Attachment should be stored in a dry and non-corrosive environment to avoid attachment surface from rust.
- When stock dozer blade, it needs fix-frame, it will be easy to connect host with attachment during next operation.

SPECIFICATIONS

MODEL	030960	030972	030987
TOTAL HEIGHT (MM)	700	700	700
TOTAL LENGTH (MM)	965	965	965
TOTAL WIDTH (MM)	1530	1830	2130
WIDTH AT TURNING 30° (MM)	1270	1519	1845
MAX TURNING ANGLE (°)	+/-30	+/-30	+/-30
MAX TILT ANGLE (°)	+/-10	+/-10	+/-10
MAX PRESSURE (MPA)	16-21	16-21	16-21
WEIGHT (KG)	510	560	610

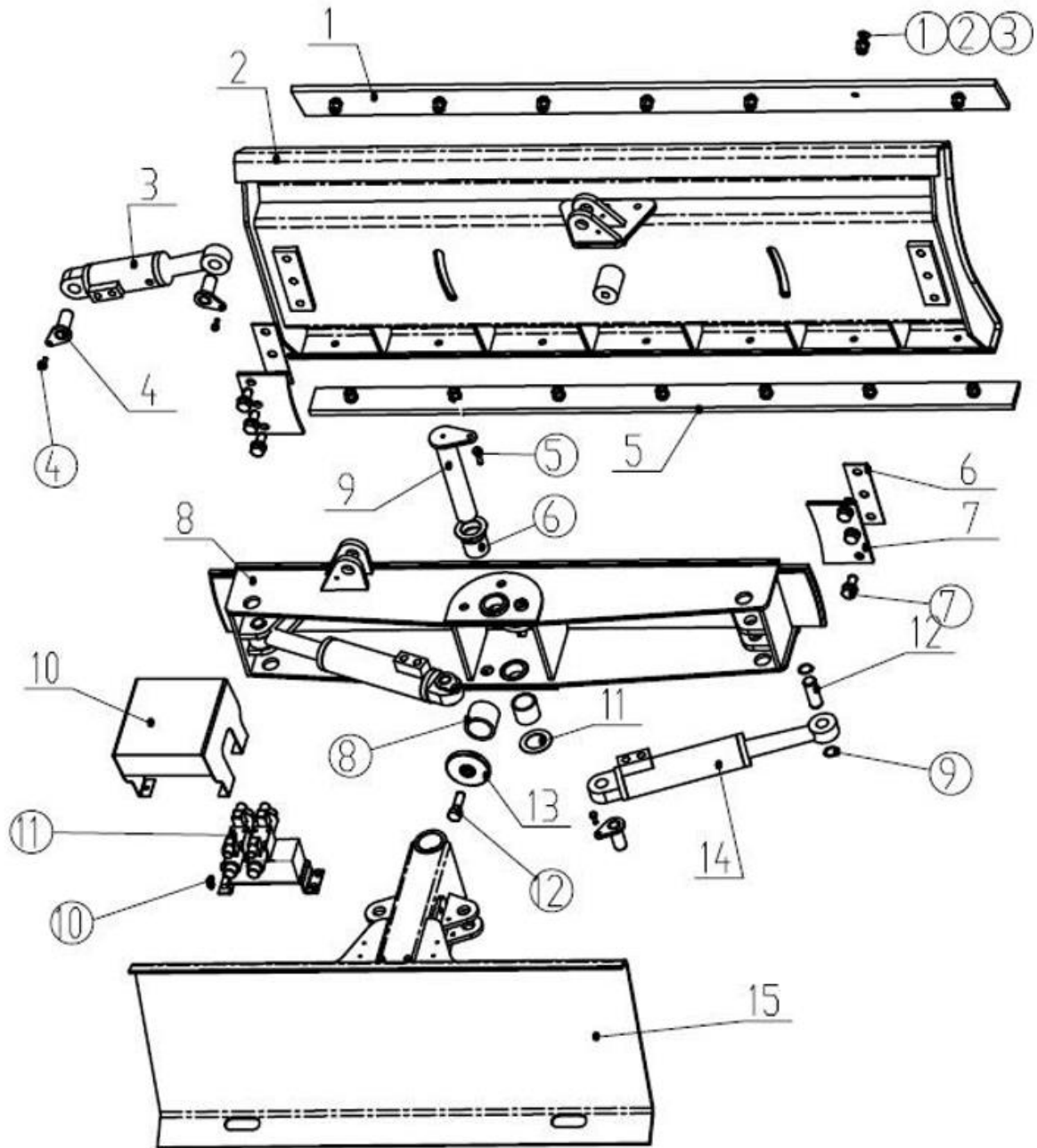
ELECTRICAL SCHEMATIC



FOR ATTACHING WIRING TO POWER SOURCE:

- Negative: Brown
- Positive: Blue

PARTS DIAGRAM / EXPLODED VIEW



KEY	PART NUMBER	DESCRIPTION	QTY	NOTE
1	030960-1	BLADE	1	
2	030960-2	PUSH SHOVEL	1	
3	030960-3	DEFLECTION CYLINDER	1	
4	030960-4	PIN	4	
5	030960-5	BLADE	1	
6	030960-6	ADJUST WASHER	2	
7	030960-7	PRESSING PLATE	2	
8	030960-8	CONNECTION PART	1	
9	030960-9	DEFLECTION PIN	1	
10	030960-10	VALVE COVER	1	
11	030960-11	ADJUST WASHER RING	2	
12	030960-12	PIN	2	
13	030960-13	PRESSING COVER	1	
14	030960-14	STEERING CYLINDER	2	
15	030960-15	HITCH FRAME	1	
16	GB2673	M16X45 COUNTERSUNK HEAD BOLT	12	
17	GB97.1	FLAT WASHER	12	
18	GB93	SPRING WASHER	12	
19	GB5783	M8X25 BOLT	4	
20	GB5783	M10X30 BOLT	1	
21	BR05	SELF-LUBRICATING BEARING	2	
22	GB5781	M20X45 BOLT	6	
23	BR05	SELF-LUBRICATING BEARING	1	
24	GB91	D6 COTTER PIN	2	
25	GB5783	M8X30 BOLT	8	
26	SWH-G02-C2-D12-20	ELECTROMAGNETIC DIRECTIONAL VALVE	2	
27	GB5783	M20X45 BOLT	1	

ACKNOWLEDGEMENT OF RISK AND RELEASE OF LIABILITY

The use of any equipment, including this one, involves the potential risk of injury. Apart from any warranty claim that might be presented for a claimed defect in material or workmanship of the product, you accept and assume full responsibility for any and all injuries, damages (both economic and non-economic), and losses of any type, which may occur, and you fully and forever release and discharge Titan, its insurers, employees, officers, directors, associates, and agents from any and all claims, demands, damages, rights of action, or causes of action, present or future, whether the same be known or unknown, anticipated, or unanticipated, resulting from or arising out of the use of said equipment.

This equipment must be used with care by capable and competent individuals under supervision, if necessary.

TITAN LIMITED WARRANTY: TERMS, EXCLUSIONS AND LIMITATIONS OF REMEDIES

This product comes with a one (1) year limited warranty that can be found at www.palletforks.com/warranty.html. Please review the same for all details regarding the Titan Limited Warranty.

THE TITAN LIMITED WARRANTY FOUND AT WWW.PALLETFORKS.COM/WARRANTY.HTML IS EXCLUSIVE AND IS IN LIEU OF ALL OTHER WARRANTIES, EXPRESS OR IMPLIED, INCLUDING ANY IMPLIED WARRANTY OF MERCHANTABILITY AND/OR FITNESS FOR A PARTICULAR PURPOSE, EACH OF WHICH IS HEREBY DISCLAIMED.



NEED HELP? CONTACT US FIRST.

1-800-605-7595

info@palletworks.com
www.palletforks.com

© 2023 Titan Brands