

# FORK MOUNTED TELESCOPING CRANE JIB

---

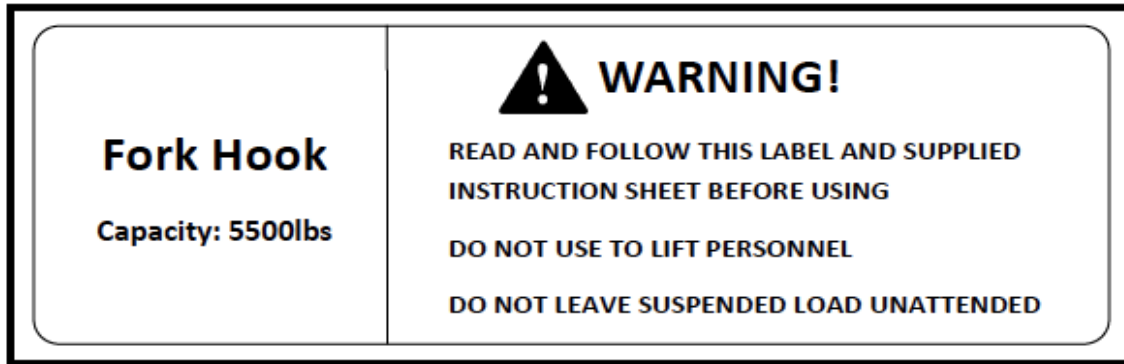
FMJ2.5

194121



## Operator's Manual

Read the Operator's Manual entirely. When you see this symbol, the subsequent instructions and warnings are serious follow without exception. Your life and the lives of others depend on it!



The Titan Forklift Jib is installed on the forklift by inserting both forks fully into the fork pockets so that the rear of the Jib is against the back of the fork. If equipped with "Fork Pin Tabs", insert locking pins behind the heel of each fork and secure with hair pins. If equipped with a "safety chain", wrap chain around a strong part of the forklift carriage keeping chain as level as possible. Chain angle must not exceed 45°. Take as many wraps as needed to take up the slack, then hook the chain back onto itself making sure the open part of the grab hook is pointing down.

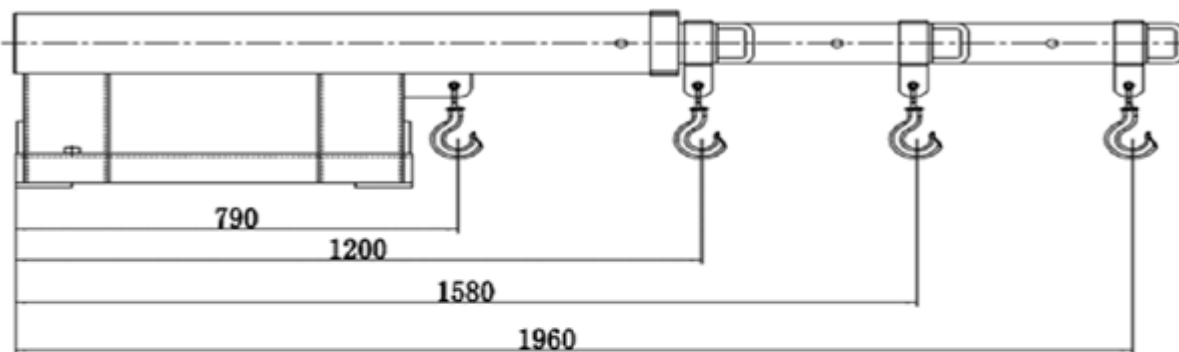
**GENERAL PRECAUTIONS**

1. Forklift operator must be properly trained and have required certifications.
2. Before using the Jib check to see that it is properly secured to the forklift as described above and that the shackles and hooks are properly secured to the Jib and screw pins are tight.
3. Determine that the loads to be handled are within the capabilities of the forklift. Keep in mind that rated capacities will likely decrease when the boom is in a raised position, or when the mast is tilted forward, or in the case of telehandlers, when the boom is extended.
4. Forks should be level or tipped upward (never down below level) when using the jib.
5. Do not pull loads. Booms designed for vertical lift only.
6. The load should always be carried low and kept from swinging using tag lines as necessary. When a load is raised; extreme caution should be exercised as the forklift is far more vulnerable to tipping with a raised load.
7. Any time the load is raised make sure the forklift is on level, firm footing.
8. Check Jib boom extension lock pin to make sure it is functioning properly. Make sure spring has proper tension to keep pin engaged.
9. Refer to the forklift operator's manual for more information on handling elevated loads as well as information for safe and proper forklift operation.
10. Each time before use check all shackles and hooks, make sure cotter pins are installed properly. And shackle screw pins are tight.
11. Always comply with all local, state, and federal Safety regulations.
12. **DO NOT USE JIB IN ANY WAY TO CARRY OR ELEVATE PERSONNEL!**

**FORKLIFT LOAD CAPACITIES**

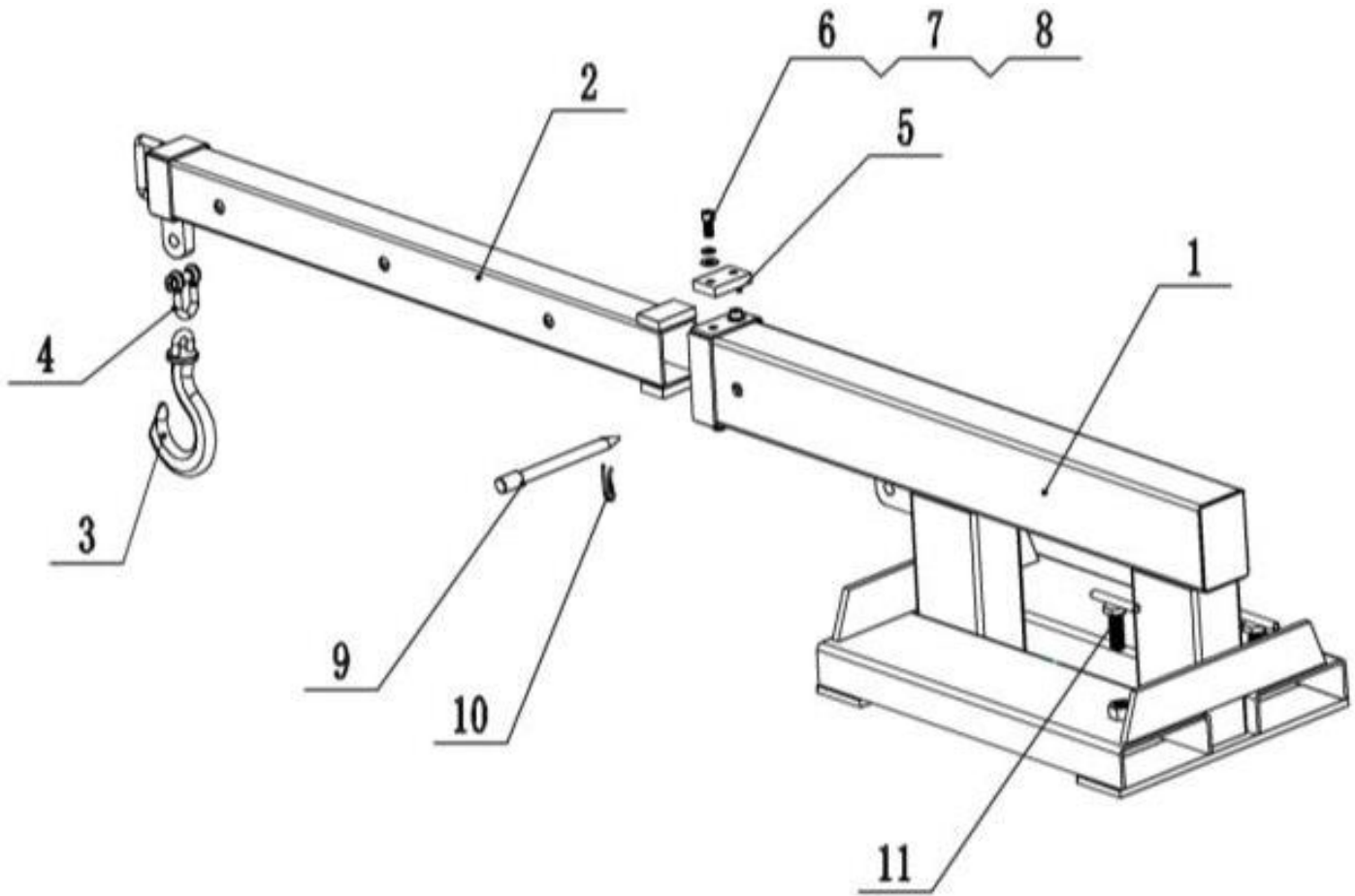
Care must be taken not to exceed the capacity of the forklift. When handling a load with the jib, the load center is moved out away from the standard forklift load center (typically 24") which significantly reduces the lift capacity of the forklift. In addition the weight of the jib has been added which also further reduces forklift capacity.

There are two ways to determine the reduced lift capacities when using the Titan Forklift Crane. The most preferable and most accurate is to contact the forklift manufacturer or certified professional engineer for a de-rated load capacity chart. If this is not available, simple foot pound calculations can be made to estimate the reduced load capacities. For example, a forklift that is rated in the desired lift position at 8000 LB (at a 2 ft load center) has a lift capacity of 16000 foot LB. (2 ft X 8000 LB.) To calculate the forklift de-rated capacity when using our Titan Forklift Crane at its maximum extension of 12'3", simply deduct the 2093 foot LB for the weight of the jib (cg of 4.63 ft x 452 LB weight of jib = 2093 ft LB) from the 16000 ft LB and then divide the remainder by the new 12.25 foot load center, which gives us 1135 LB de-rated lift capacity for an 8,000 lb Forklift with the Titan Forklift Crane extended. The chart below shows these reduced capacity calculations for several forklift capacities.



<b>Safe Working Load (SWL) per position</b>				
<b>POSITION</b>	<b>1</b>	<b>2</b>	<b>3</b>	<b>4</b>
<b>EXTENSION (mm)</b>	790	1200	1580	1960
<b>SWL (kg)</b>	2500	1200	900	750

**PARTS DIAGRAM / EXPLODED VIEW**



KEY	DESCRIPTION	QTY	KEY	DESCRIPTION	QTY
(1)	BOOM	1	(7)	SPRING WASHER ( Φ 12 )	4
(2)	INNER EXTENSION TUBE	1	(8)	FLAT WASHER ( Φ 12 )	4
(3)	HOOK (3 TON)	2	(9)	ROD ( Φ 20X210 )	1
(4)	SHACKLE (3.25 TON)	1	(10)	PIN	1
(5)	CUSHION BLOCK	2	(11)	"T" SCREW	2
(6)	BOLT (M12*30)	4	(12)		

**ASSEMBLY INSTRUCTIONS**

- No Assembly Instructions Required.

## ACKNOWLEDGEMENT OF RISK AND RELEASE OF LIABILITY

---

The use of any equipment, including this one, involves the potential risk of injury. Apart from any warranty claim that might be presented for a claimed defect in material or workmanship of the product, you accept and assume full responsibility for any and all injuries, damages (both economic and non-economic), and losses of any type, which may occur, and you fully and forever release and discharge Titan, its insurers, employees, officers, directors, associates, and agents from any and all claims, demands, damages, rights of action, or causes of action, present or future, whether the same be known or unknown, anticipated, or unanticipated, resulting from or arising out of the use of said equipment.

This equipment must be used with care by capable and competent individuals under supervision, if necessary.

## WARNING

---



**Do not overfill!** Mower should be level when checking oil in gear box.



some activities might be able to cause electric shock



Sharp objects may be involved.  
Use protective cover during maintenance.

## TITAN LIMITED WARRANTY: TERMS, EXCLUSIONS AND LIMITATIONS OF REMEDIES

---

This product comes with a one (1) year limited warranty that can be found at [www.palletforks.com/warranty.html](http://www.palletforks.com/warranty.html). Please review the same for all details regarding the Titan Limited Warranty.

**THE TITAN LIMITED WARRANTY FOUND AT [WWW.PALLETFORKS.COM/WARRANTY.HTML](http://WWW.PALLETFORKS.COM/WARRANTY.HTML) IS EXCLUSIVE AND IS IN LIEU OF ALL OTHER WARRANTIES, EXPRESS OR IMPLIED, INCLUDING ANY IMPLIED WARRANTY OF MERCHANTABILITY AND/OR FITNESS FOR A PARTICULAR PURPOSE, EACH OF WHICH IS HEREBY DISCLAIMED.**



**NEED HELP? CONTACT US FIRST.**

**1-800-605-7595**

[info@palletworks.com](mailto:info@palletworks.com)  
[www.palletforks.com](http://www.palletforks.com)

© 2023 Titan Brands