

MINI SKID STEER GRAPPLE CLAW

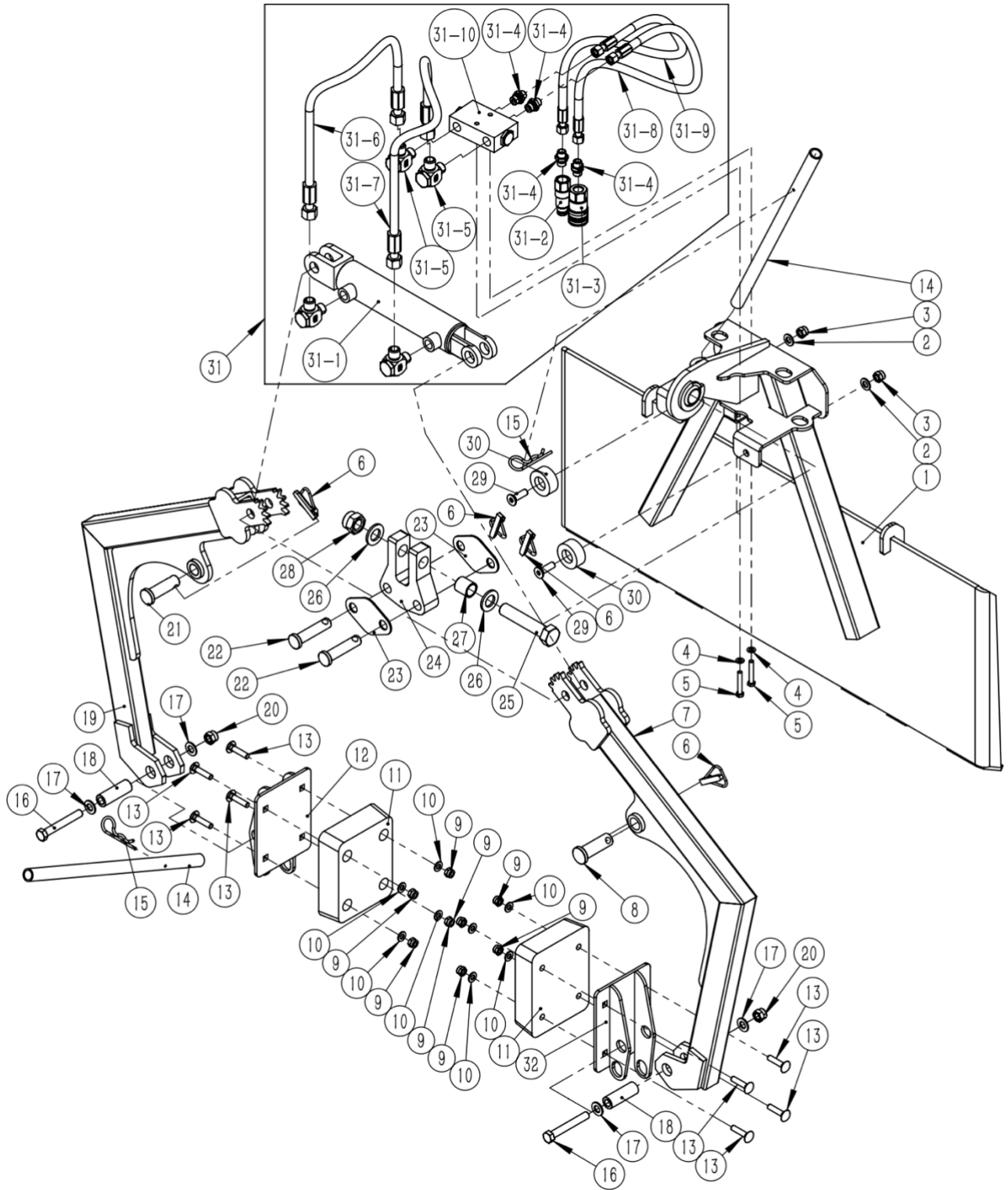
TOROCLAW
113222



Operator's Manual

Read the Operator's Manual entirely. When you see this symbol, the subsequent instructions and warnings are serious follow without exception. Your life and the lives of others depend on it!

PARTS DIAGRAM / EXPLODED VIEW



KEY	BOX	DESCRIPTION	QTY
1	TCG48.1	TORO CONNECTING PLATE WELDMENT	1
2	GB/T 97.1	PLAIN WASHER 12	2
3	GB/T 889.1	LOCK NUT M12	2
4	GB/T 97.1	PLAIN WASHER 8	2
5	GB/T 5783	BOLT M8×50	2
6	DIN 11023	LOCK PIN Φ11*40	4
7	TCG48.4	CLAW WELDMENT 02	1
8	TCG48.14	PIN	1
9	GB/T 889.1	LOCK NUT M10	8
10	GB/T 97.1	PLAIN WASHER 10	8
11	TCG48.7	RUBBER	2
12	TCG48.6	PLATE 02	1
13	GB/T 14	MUSHROOM HEAD SQUARE NECK BOLT M10×45	8
14	TCG48.9	SUPPORTING WELDMENT	2
15	DIN 11024	SPLIT PIN 5	2
16	GB/T 5782	BOLT M14×100	2
17	GB/T 97.1	PLAIN WASHER 14	4
18	TCG48.8	TURN SPACE	2
19	TCG48.3	CLAW WELDMENT 01	1
20	GB/T 889.1	LOCK NUT M14	2
21	TCG48.13	PIN	1
22	TCG48.12	CLAW PIN	2
23	TCG48.10	CLAW ASSEMBLE PLATE	2
24	TCG48.2	TURN CONNECTING BLOCK	1
25	GB/T 5782	BOLT M24×120	1
26	GB/T 97.1	PLAIN WASHER 24	2
27	TCG48.15	TURN CONNECTING BLOCK SPACE	1
28	GB/T 889.1	LOCK NUT M24	1
29	GB/T 70.3	HEX SOCKET FLAT HEAD SCREW M12×40	2
30	SS180W.5	RUBBER RING	2
31	TCG48.11	HYDRAULIC COMPONENTS	1
31-1	TCG48.11.1	HYDRAULIC CYLINDER	1
31-2	KIS-PT-G04SP	QUICK-CHANGE CONNECTOR G1/2 (MALE)	1
31-3	KIS-PT-G04SP	QUICK-CHANGE CONNECTOR G1/2 (FEMALE)	1
31-4	GE10LR12EDOMD	CONNECTOR M16*1.5-G1/2"	4
31-5	WH15LRKDSOMD	HINGE JOINT CONNECTOR M16*1.5-G1/2"	4
31-6	TCG48.11-2	TUBING 01	1
31-7	TCG48.11-3	TUBING 02	1
31-8	TCG48.11-4	TUBING 03	1
31-9	TCG48.11-5	TUBING 04	1
31-10	VRPDC-G1/2	HYDRAULIC LOCK	1
32	TCG48.5	PLATE 01	1

FEATURES

- Designed to move hardscape material such as boulders, logs, concrete blocks and steps
- Mini Skid Steer Quick Tach Mounting System
- 2" thick rubber gripping pads included
- Hydraulic Cylinder is rated at 3,000 PSI
- Hoses and flat-faced couplers are included
- Fits Toro Dingo, Boxer, Ditch Witch, Thomas, Finn, Ramrod, Kanga, Powerhouse, Prodigy, and other mini skid steers

ASSEMBLY INSTRUCTIONS

- COMES FULLY ASSEMBLED

ACKNOWLEDGEMENT OF RISK AND RELEASE OF LIABILITY

The use of any equipment, including this one, involves the potential risk of injury. Apart from any warranty claim that might be presented for a claimed defect in material or workmanship of the product, you accept and assume full responsibility for any and all injuries, damages (both economic and non-economic), and losses of any type, which may occur, and you fully and forever release and discharge Titan, its insurers, employees, officers, directors, associates, and agents from any and all claims, demands, damages, rights of action, or causes of action, present or future, whether the same be known or unknown, anticipated, or unanticipated, resulting from or arising out of the use of said equipment.

This equipment must be used with care by capable and competent individuals under supervision, if necessary.

WARNING



Do not overfill! Mower should be level when checking oil in gear box.



some activities might be able to cause electric shock



Sharp objects may be involved. Use protective cover during maintenance.

TITAN LIMITED WARRANTY: TERMS, EXCLUSIONS AND LIMITATIONS OF REMEDIES

This product comes with a one (1) year limited warranty that can be found at www.palletforks.com/warranty.html. Please review the same for all details regarding the Titan Limited Warranty.

THE TITAN LIMITED WARRANTY FOUND AT WWW.PALLETFORKS.COM/WARRANTY.HTML IS EXCLUSIVE AND IS IN LIEU OF ALL OTHER WARRANTIES, EXPRESS OR IMPLIED, INCLUDING ANY IMPLIED WARRANTY OF MERCHANTABILITY AND/OR FITNESS FOR A PARTICULAR PURPOSE, EACH OF WHICH IS HEREBY DISCLAIMED.



NEED HELP? CONTACT US FIRST.

1-800-605-7595

info@palletworks.com
www.palletforks.com

© 2023 Titan Brands