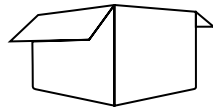




899456 - PKGLWH_AE

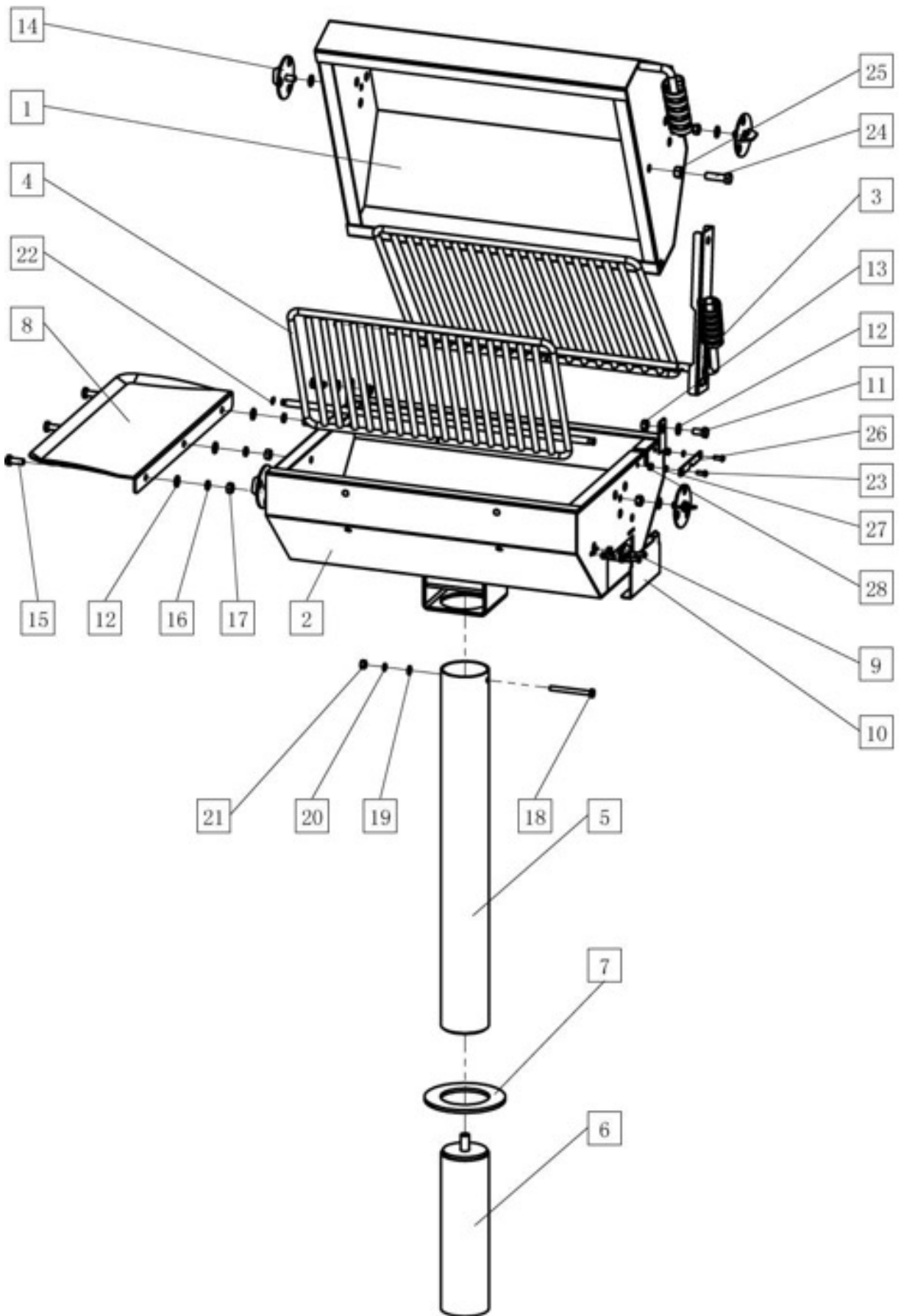
Covered Park-Style Grill with Shelf



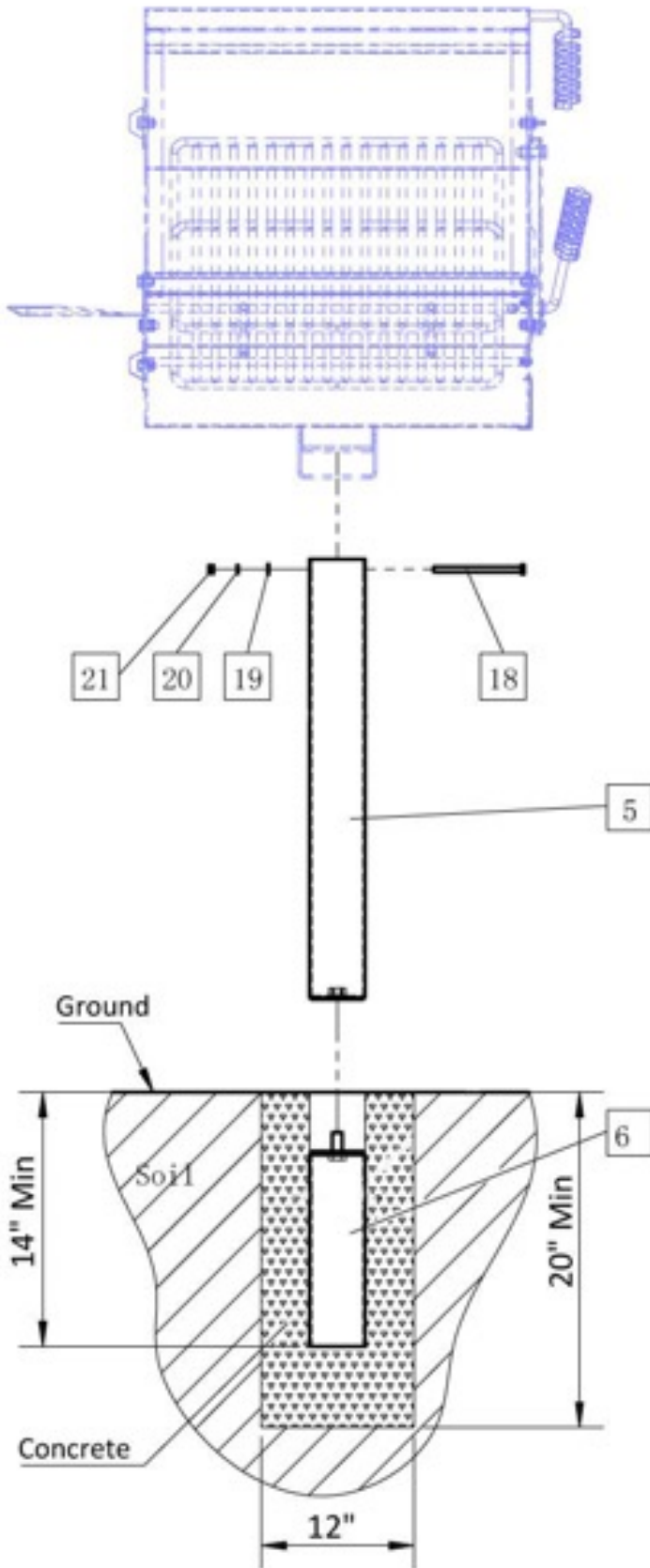


UNBOXING

- 1.** GRILL HOOD (1 PC)
- 2.** CHARCOAL BOX (1 PC)
- 3.** COOKING GRATE - UPPER (1 PC)
- 4.** COOKING GRATE - LOWER (1 PC)
- 5.** UPPER POST (1 PC)
- 6.** LOWER POST (1 PC)
- 7.** POST BASE CAP (1 PC)
- 8.** FOOD TRAY (1 PC)
- 9.** STOPPER PLATE (1 PC)
- 10.** ASH GATE (9 PC)
- 11.** HEX BOLT M10X20 (2 PC)
- 12.** FLAT WASHER 10 (9 PC)
- 13.** HEX LOCK NUT M10 (6 PC)
- 14.** VENT (4 PC)
- 15.** HEX BOLT M10X25 (3 PC)
- 16.** SPRING WASHER 10 (3 PC)
- 17.** HEX NUT M10 (3 PC)
- 18.** HEX BOLT M8X140 (1 PC)
- 19.** FLAT WASHER 8 (1 PC)
- 20.** SPRING WASHER 8 1 PC)
- 21.** HEX NUT M8 (1 PC)
- 22.** WASHER 10 (2 PC)
- 23.** COUNTERSUNK HEX ROUND
HEAD BOLT M6X16 (4 PC)
- 24.** HEX BOLT M10X40 (1 PC)
- 25.** HEX LOCK NUT M12 (1 PC)
- 26.** MOUNTING PLATE (1 PC)
- 27.** SPRING WASHER 6 (4 PC)
- 28.** HEX NUT M6 (4 PC)

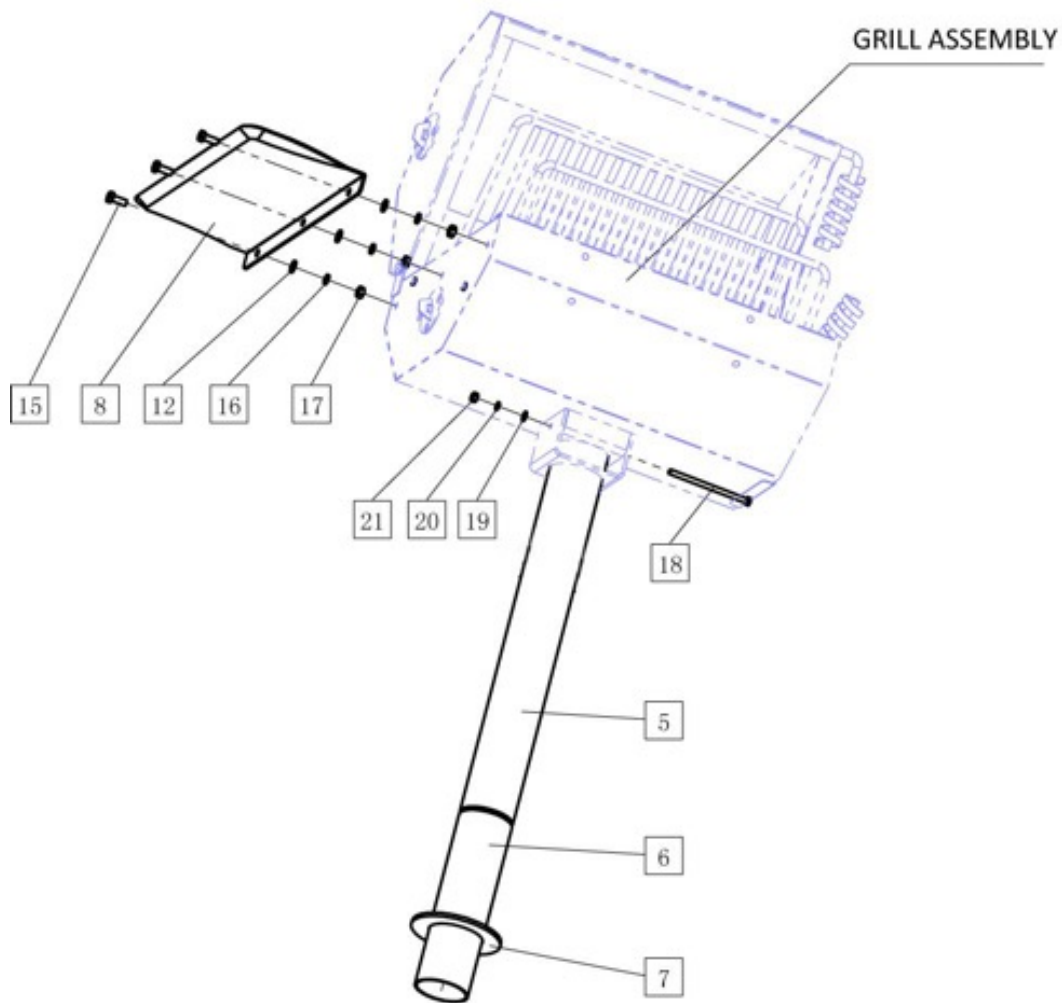


STEP 1
SETTING UP FOUNDATION

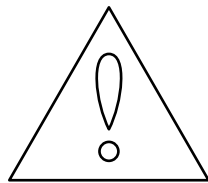


1. Screw Upper Post (5) onto Lower Post (6) and tighten.
2. Use a post hole digger to dig a hole with minimum diameter of 12" by 20" deep and fill the hole with concrete.
3. Push the Post into concrete for minimum 14" deep (if lower grilling height is preferred, push the post further below). It is very important to make sure that the post is plumbed vertically). Do not install the Grill Box on Post until concrete is fully cured.

STEP 2
INSTALLING THE GRILL ASSEMBLY TO THE POST



1. Attach Food Tray (8) to the Grill Assembly using Hex Bolt M10x25 (15), Flat Washer 10 (12), Spring Washer 10 (16) and Hex Nut M10 (17). The order of assembling is to push Hex Bolt M10x25 (15) through these parts, and then place Flat Washer 10 (12), Spring Washer 10 (16) and Hex Nut M10 (17) on the end of the bolt. Tighten all hardware.
2. Place the Grill Assembly on top of Upper Post (5) and align holes. Insert Hex Bolt M8x140 (18) through holes and place Flat Washer 8 (19), Spring Washer 8 (20) and Hex Nut M8 (21) on the end of the bolt.
3. Tighten all Hardware.



WARNINGS



Heavy object. Use lifting aids and proper lifting techniques when moving.



Sharp objects may be involved. Use precaution and protection.



Choking hazard. Small parts - Please exercise caution if small children or pets are present.

Acknowledgement of Risk & Release of Liability

The use of any equipment, including this one, involves the potential risk of injury. Apart from any warranty claim that might be presented for a claimed defect in material or workmanship of the product, you accept and assume full responsibility for any and all injuries, damages (both economic and non-economic), and losses of any type, which may occur, and you fully and forever release and discharge Titan, its insurers, employees, officers, directors, associates, and agents from any and all claims, demands, damages, rights of action, or causes of action, present or future, whether the same be known or unknown, anticipated, or unanticipated, resulting from or arising out of the use of said equipment. This equipment must be used with care by capable and competent individuals under supervision, if necessary.

Time Limited Warranty: Terms, Exclusions & Limitations of Remedies

This product comes with a one (1) year limited warranty that can be found at www.ashandemberoutdoors.com/warranty.html. Please review the same for all details regarding the Titan Limited Warranty.

THE TITAN LIMITED WARRANTY FOUND AT WWW.TITANGREATOUTDOORS.COM/WARRANTY.HTML IS EXCLUSIVE AND IS IN LIEU OF ALL OTHER WARRANTIES, EXPRESS OR IMPLIED, INCLUDING ANY IMPLIED WARRANTY OF MERCHANTABILITY AND/OR FITNESS FOR A PARTICULAR PURPOSE, EACH OF WHICH IS HEREBY DISCLAIMED.

ASH & EMBER

Need help? Contact us first.

PHONE

1-888-794-1455

EMAIL

info@ashandemberoutdoors.com

ASH & EMBER

www.ashandemberoutdoors.com