

# 25 TON LOG SPLITTER

LS3PT25

198375



## Operator's Manual



Read the Operator's Manual entirely. When you see this symbol, the subsequent instructions and warnings are serious follow without exception. Your life and the lives of others depend on it!

## **GENERAL WARNINGS**

**READ and UNDERSTAND this manual completely before using 3PT Hitch 25 Ton Log Splitter.**

Operator must read and understand all safety and warning information, operating instructions, maintenance, and storage instructions before operating this equipment. Failure to properly operate and maintain the log splitter could result in serious injury to the operator or bystanders.

### **OPERATION WARNINGS**

- Do not at any time have people, sit, or stand on the log splitter.
- Do not allow children to play on, stand upon or climb on the log splitter.
- Never carry any cargo or wood on your log splitter
- Always inspect the log splitter before using to assure it is in good working condition.
- Replace or repair damaged or worn parts immediately.
- Check for hydraulic fluid leaks by passing a piece of paper or cardboard underneath or over the area of the leak. **Do not check for leaks with your hand.**
- Always check and tighten hardware and assembled parts before operation.
- Do not adjust the hydraulic valve. The pressure relief valve on the log splitter is preset at the factory. Only a qualified service technician should perform this adjustment.
- Do not exceed equipment maximum load capacity of 25 tons.
- Do not alter the log splitter in any manner. Any alteration will void the warranty and could cause the log splitter to be unsafe to operate.
- Always operate the log splitter on clear and level ground.
- Do not operate the log splitter at night, only during daylight hours.

### **CRUSH AND CUT HAZARDS**

- Always keep hands and feet clear from moving parts while operating the equipment.
- Always clear and keep work area clean and free of debris when operating.
- Always wear safety gear, eye protection, gloves and work boots when operating the log splitter.

#### **WARNING**

The warnings, cautions, and instructions outlined in this instruction manual cannot cover all possible conditions or situations that may occur. It must be understood by the operator that common sense and caution are factors which cannot be built into this product and must be supplied by the operator.






#### **PROP 65 WARNING**

This product can expose you to chemicals including lead and lead compounds which are known to the State of California to cause cancer and birth defects or other reproductive harm. For more information, go to [www.P65Warnings.ca.gov](http://www.P65Warnings.ca.gov).

### **ASSEMBLY IS REQUIRED**

This product requires assembly before use. See "Assembly" section for instructions. Because of the weight and/or size of the log splitter, it is recommended that another adult be present to assist with the assembly. **INSPECT ALL COMPONENTS** closely upon receipt to make sure no components are missing or damaged.

## HAZARD SIGNAL WORD DEFINITIONS

	<p>This is the safety alert symbol. It is used to alert you to potential personal injury hazards. Obey all safety messages that follow this symbol to avoid possible injury or death.</p>
	<p><b>DANGER</b> indicates an imminently hazardous situation which, if not avoided, will result in death or serious injury.</p>
	<p><b>WARNING</b> indicates a potentially hazardous situation which, if not avoided, could result in death or serious injury.</p>
	<p><b>CAUTION</b> indicates a potentially hazardous situation which, if not avoided, may result in minor or moderate injury.</p>
	<p><b>CAUTION</b> used without the safety alert symbol indicates a potentially hazardous situation which, if not avoided, may result in property damage.</p>

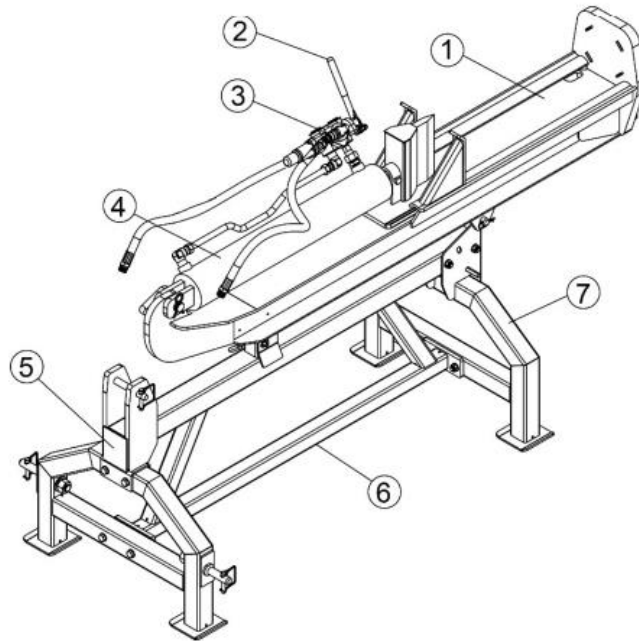
## ABOUT YOUR 3PT 25 TON LOG SPLITTER

This hydraulic log splitter has a heavy-duty steel construction and up to 25 tons of ram force. The splitter is designed to work in both the horizontal and vertical position. When there's work to be done, you need outdoor power equipment you can rely on, this 3-point hitch log splitter will get the job done fast. Never exceed the rated capacity of 25 tons when operating the log splitter.

Technical specifications on the log splitter are provided in the "Specifications" section of this manual.

## CONTROLS AND FEATURES IDENTIFICATION

Read this owner's manual before operating the equipment. Familiarize yourself with the location and function of the controls and features. Save this manual for future reference.



1. Beam
2. Handle
3. Control Valve
4. Cylinder
5. Rear Support Leg
6. Main Cross Beam
7. Front Support Leg



### **Inspect all Log Splitter Components.**

If you have damaged components: Contact the freight company that delivered the log splitter and file a claim.

## 3 PT HITCH 25 TON LOG SPLITTER ASSEMBLY

Set the shipping crate on a solid flat surface and carefully remove the lid. Use two people and take all parts out of the shipping crate and inspect the components to ensure there are no missing pieces before starting to assemble the log splitter follow steps 1 through 2.

### **TOOLS REQUIRED**

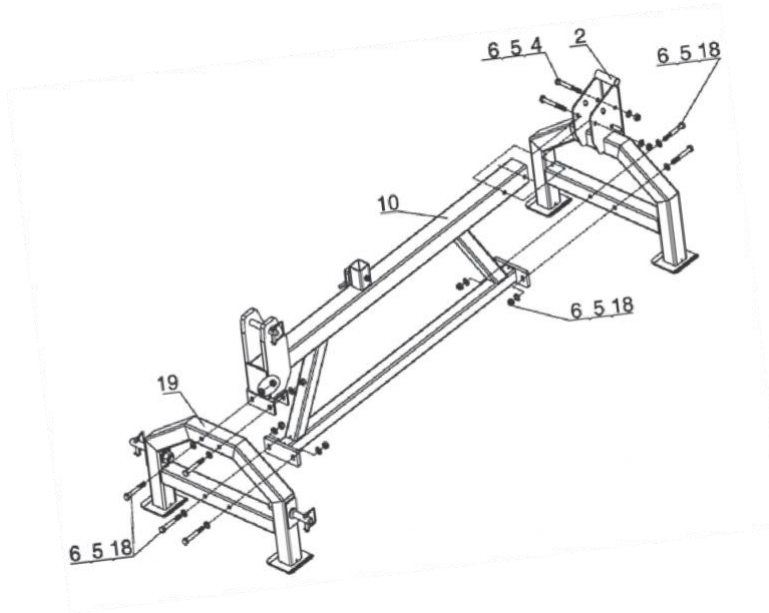
- 18mm, 19mm Wrenches
- Wood Hammer

## ASSEMBLY INSTRUCTIONS

---

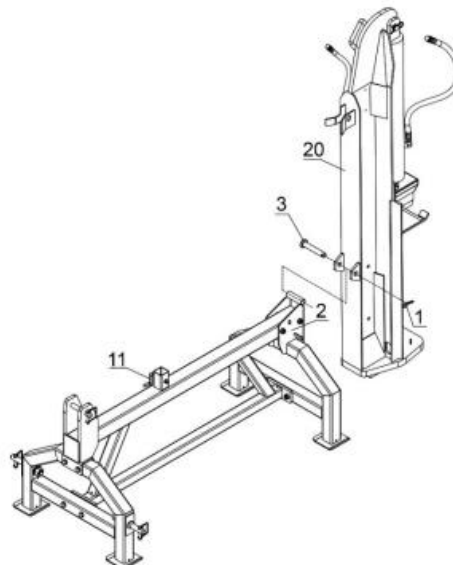
### STEP 1: ATTACH SUPPORT LEGS

1. Attach front support leg (#2) to the main cross beam (#10) using hex bolt M12x100 (#4), flat washer Ø12 (#5) and nylon lock nut M12 (#6), loosely tighten the nut.
2. On the other side of the main cross beam (10) attach the rear support leg (#19) using hex bolt M12x90 (#18), flat washer Ø12 (#5) and nylon lock nut M12 (#6), loosely tighten the nut.
3. Connect the front support leg (#2) and rear support leg (#19) to the bottom of the main cross beam (10) using hex bolt M12x90 (#18), flat washer Ø12 (#5) and nylon lock nut M12 (#6), tighten all the nuts.
4. Tighten all hardware.



### STEP 2: ATTACH BEAM ASSEMBLY

1. Attach the beam assembly (#20) to the front support leg (#2) with the hitch pin (#3) and R-Pin (#1), lower beam and secure with safety pin (#11).



## SPLITTING FORCE AND CYCLE TIME

### WARNING

Splitting force is determined by cylinder size and the tractor PSI. The cycle time depends on the cylinder size and GPM's that the tractor produces. Tractor should ideally produce 8-15 GPM at 1500 to 2500 PSI.

**Do not exceed 3200 PSI.** See tables below for approximate splitting force and cycle time calculations. The 3-Point Log Splitter is designed for tractors with pressure ratings that are under 3200psi. Exceeding the recommended pressure rating will void the warranty and damage the equipment.

### SPLITTING FORCE IN TONS

Cylinder Dia.	1000 PSI	1500 PSI	2000 PSI	2500 PSI	3000 PSI	3500 PSI
3"	3.5	5.3	7.1	8.8	10.6	12.4
3.5"	4.8	7.2	9.6	12	14.4	16.8
4"	6.3	9.4	12.6	15.7	18.8	22
4.25"	7.1	10.6	14.2	17.7	21.3	24.8
4.5"	7.9	11.9	15.9	19.9	23.9	27.8
5"	9.8	14.7	19.6	24.5	29.5	34.4

### CYCLE TIME IN SECONDS

Cylinder Size	5 GPM	10 GPM	15 GPM	20 GPM	25 GPM
3" x 24"	15.3	7.6	5.1	3.8	3.2
3.5" x 24"	21.7	10.8	7.2	5.4	4.4
4" x 24.5"	28.1	14	9.2	7.1	5.6
4.25" x 24.5"	32.3	16.1	10.7	8.1	6.4
4.5" x 24.5"	36.3	18.1	12.1	9	7.1
5" x 24.5"	44.8	22	14.8	11	8.9

## OPERATION INSTRUCTIONS

### WARNING

**Read and understand the operating procedures before using this product! Failure to comprehend and comply with warnings, cautions and instructions could result in serious injury or death.** Operation of power equipment can be dangerous. It is the sole responsibility of the operator to understand the assembly and safe operation of this product.

1. Set up the log splitter in a clear, level area.
2. Place a log on the beam against the foot plate. Make sure the log is securely up against foot plate.
3. Depress the valve handle so that the cylinder will drive the wedge into the log. Extend the cylinder until the log splits or to the end of its stroke. If the log has not completely split after the cylinder has reached the end of its extension, retract the cylinder.

**IMPORTANT:** Leaving the valve in the “actuate” position at the end of the stroke may damage the pump. Always use extra care when splitting logs with unsquared ends.

**IMPORTANT:** To extend the life of the hydraulic cylinder, avoid “bottoming out” the wedge plate to the foot piece. To conform with industry safety standards the wedge stops 2 inches from the end of the stroke.

The log splitter can easily be rotated from horizontal to vertical operating position by removing and replacing the lynch pin. Make sure the lynch pin is fully engaged and secure.

**WARNING:** Tilt slowly. Do not move from vertical to horizontal operating position until the support frame legs are in a secure position. Tractor lift arms could fall resulting in serious injury.

## MAINTENANCE AND STORAGE

### **WARNING**

Improper maintenance and storage of the log splitter may void your warranty.

## MAINTENANCE

1. With normal use the log splitter will not require any regular maintenance other than checking for loose bolts and the inspection of hoses and fittings.
2. If the wedge becomes dull or nicked, it can be removed and sharpened. Remove the 1/2 in. diameter bolt that connects the wedge to the cylinder. The hose from the valve may need to be removed. While the log splitter is in the horizontal position, loosen the hose clamp and disconnect the hose from the valve. Carefully lift the cylinder to allow the wedge to slide forward. The wedge can now be lifted off and sharpened.
3. All replacement parts must meet manufacturer’s specifications.

What	When	How
Hoses	Each Use	Inspect hoses for exposed wire mesh and leaks. Replace all worn or damaged hoses before using.
Hydraulic Fittings	Each Use	Inspect fittings for cracks and leaks. Replace all damaged fittings before using.
Nuts and Bolts	Each Use	Check for loose bolts, tighten before operating.
Beam	Each Use	Apply grease to beam surface.
Moving Parts	Each Use	Clear debris from log splitter.

## IMPORTANT:

If a part needs replacement, only use parts that meet the manufacturer’s specifications. Replacement parts that do not meet specifications may result in a safety hazard or poor operations.

## STORAGE

- Before storing make sure the log splitter is clean and dry for years of trouble-free service.
- Lightly lubricate all log splitter surfaces and moving parts to prevent rust.
- Store indoors or protected area during severe weather and winter months.

## SPECIFICATIONS

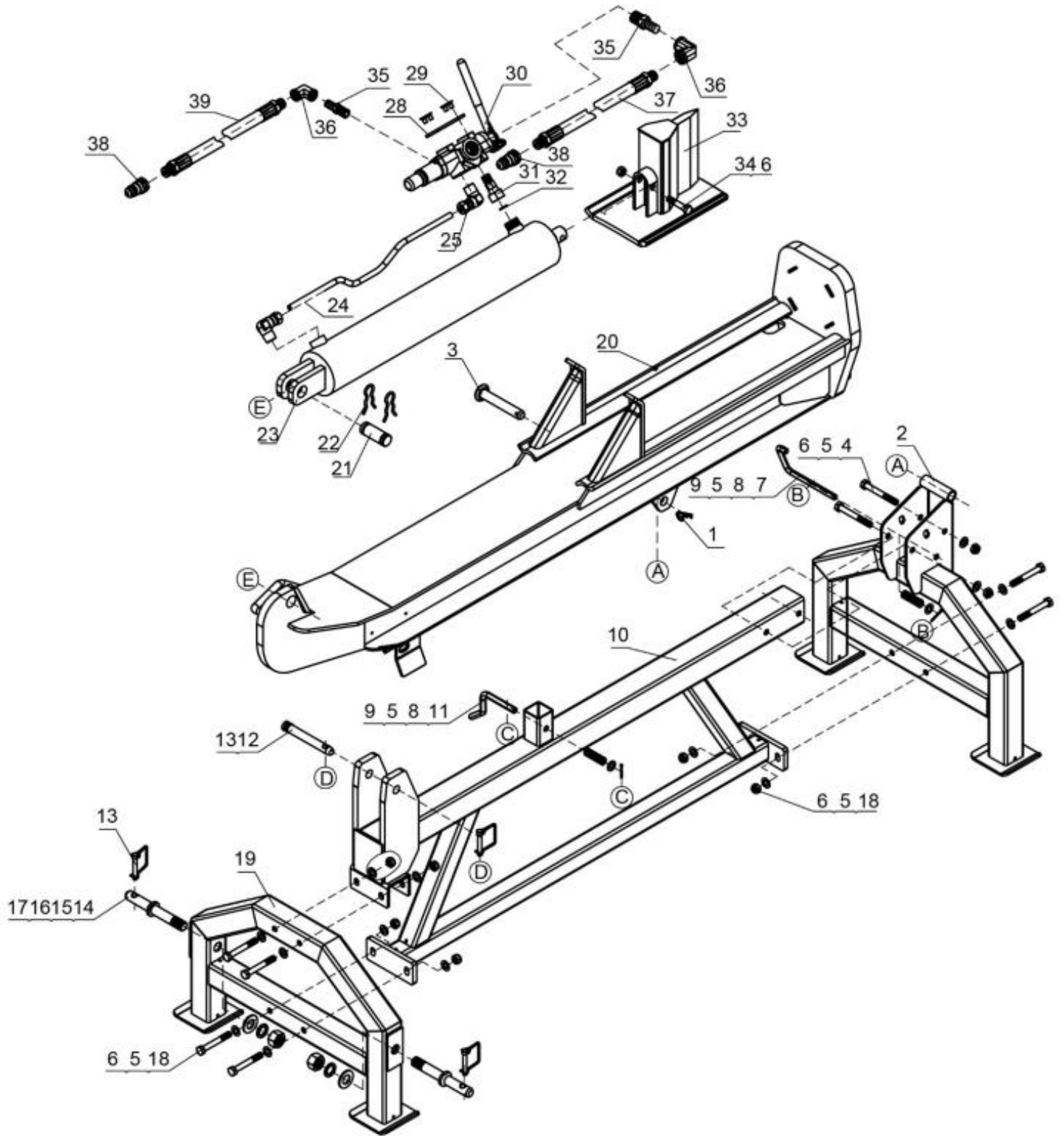
---

<b>RAM FORCE:</b>	<b>19-25 TONS (*)</b>
<b>TRACTOR CATEGORIES:</b>	<b>CAT 1 &amp; CAT 2</b>
<b>HITCH TRACTOR:</b>	<b>3 POINT</b>
<b>CYCLE TIME:</b>	<b>11.5 - 15 SEC</b>
<b>HARDEN STEEL WEDGE:</b>	<b>8"</b>
<b>MAX. LOG LENGTH:</b>	<b>26"</b>
<b>HYDRAULIC CYLINDER:</b>	<b>4.13" X 24.5"</b>
<b>MAX. PRESSURE:</b>	<b>3200 PSI</b>
<b>VALVE:</b>	<b>AUTO RETURN</b>
<b>WARRANTY:</b>	<b>3 YEAR / 1 YEAR LIMITED</b>

(\*) Ram Force depends on Tractor and Cylinder Diameter. (Reference charts on previous page) Splitting Force is determined by cylinder size and tractor PSI. Cycle Time is determined by cylinder size and GPM produced by tractor. Ideally tractor should produce 8 - 15 GPM at 1500 to 2500 PSI. Do not exceed 3200 PSI, exceeding 3200 PSI will overstress log splitter mechanism and void warranty.



PARTS DRAWING AND PARTS LIST

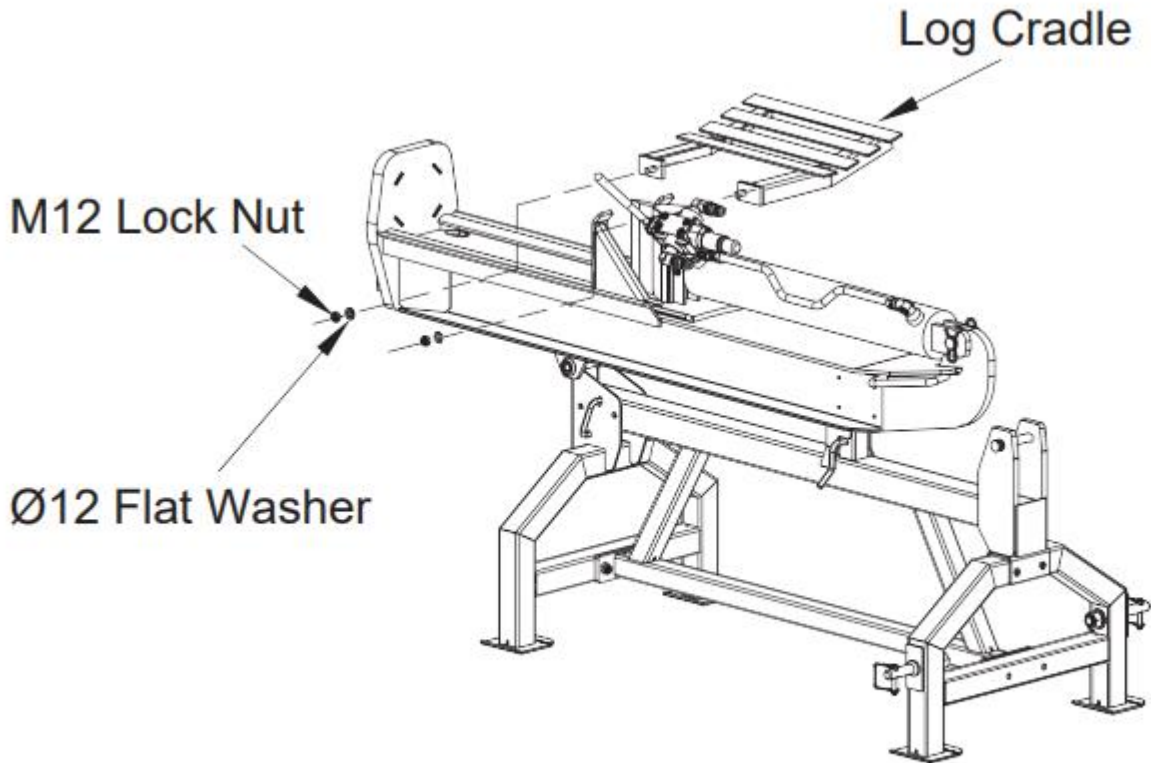


**PARTS DRAWING AND PARTS LIST**

<b>REF</b>	<b>DRAWING NO.</b>	<b>DESCRIPTION</b>	<b>QTY</b>
1	LSP25-00012-DX	R Pin	1
2	LTS25-01000	Front Support Leg	1
3	LSP25-05000-DX	Hitch Pin	1
4	9101-12100-DX8.8	Hex Bolt 12x100	2
5	9301-12000-DX	Flat Washer Ø12	16
6	9206-12000-DX	Nylon Lock Nut M12	9
7	LSP25-00006-DX	Safety Pin A	1
8	LSP25-00003-DX	Spring	2
9	9404-03030-DX	Cotter Pin 3x30	2
10	LTS25-03000	Main Cross Beam	1
11	LSP25-00008-DX	Safety Pin B	1
12	LTS25-00001-DX	Suspension Pin V	1
13	T680-20000-DX	Lock Pin	3
14	LTS25-00002-DX	Suspension Pin VI	2
15	9301-22000-DX	Flat Washer Ø22	2
16	9306-22000-DX	Lock Washer Ø22	2
17	9201-22000-DX	Hex Nut M22	2
18	9101-12090-DX8.8	Hex Bolt M12x90	6
19	LTS25-02000	Rear Support Leg	1
20	LSP25B-01000	Beam	1
21	LSP25-00004-DX	Cylinder Pin	1
22	LSP25-00005-DX	R Pin	2
23	LSP25A-08000	Cylinder	1
24	LSP25-00001-DX	Metal Tube	1
25	LSP25-06000	Connector	2
28	N29W-00001	Plate	1
29	9110-08010-DX	Screw M8x10	4
30	M1V24A-00001	Control Valve	1
31	LSP25-17000-DX	Combination Connector	1
32	9901-15*2.5	O Ring Ø15x2.5	1
33	LSP25B-02000	Wedge	1
34	9101-12065-DX8.8	Hex Bolt M12x65	1
35	N800-00005-DX	Transition Connector	2
36	N800-00006-DX	Angle Connector	2

37	LTS25A-00002	Hydraulic Hose	1
38	N801-00005	Quick Coupling	2
39	LTS25A-00001	Hydraulic Hose	1

Attach the log cradle to the beam with the Ø12 flat washer and M12 lock nut.



## ACKNOWLEDGEMENT OF RISK AND RELEASE OF LIABILITY

---

The use of any equipment, including this one, involves the potential risk of injury. Apart from any warranty claim that might be presented for a claimed defect in material or workmanship of the product, you accept and assume full responsibility for any and all injuries, damages (both economic and non-economic), and losses of any type, which may occur, and you fully and forever release and discharge Titan, its insurers, employees, officers, directors, associates, and agents from any and all claims, demands, damages, rights of action, or causes of action, present or future, whether the same be known or unknown, anticipated, or unanticipated, resulting from or arising out of the use of said equipment.

This equipment must be used with care by capable and competent individuals under supervision, if necessary.

## WARNING

---



**Do not overfill!** Mower should be level when checking oil in gear box.



some activities might be able to cause electric shock



Sharp objects may be involved.  
Use protective cover during maintenance.

## TITAN LIMITED WARRANTY: TERMS, EXCLUSIONS AND LIMITATIONS OF REMEDIES

---

This product comes with a one (1) year limited warranty that can be found at [www.palletforks.com/warranty.html](http://www.palletforks.com/warranty.html). Please review the same for all details regarding the Titan Limited Warranty.

**THE TITAN LIMITED WARRANTY FOUND AT [WWW.PALLETFORKS.COM/WARRANTY.HTML](http://WWW.PALLETFORKS.COM/WARRANTY.HTML) IS EXCLUSIVE AND IS IN LIEU OF ALL OTHER WARRANTIES, EXPRESS OR IMPLIED, INCLUDING ANY IMPLIED WARRANTY OF MERCHANTABILITY AND/OR FITNESS FOR A PARTICULAR PURPOSE, EACH OF WHICH IS HEREBY DISCLAIMED.**



**NEED HELP? CONTACT US FIRST.**

**1-800-605-7595**

[info@palletworks.com](mailto:info@palletworks.com)

[www.palletforks.com](http://www.palletforks.com)

© 2023 Titan Brands