

FORKLIFT LIFTING HOIST

FH25
194120



Operator's Manual

Read the Operator's Manual entirely. When you see this symbol, the subsequent instructions and warnings are serious follow without exception. Your life and the lives of others depend on it!

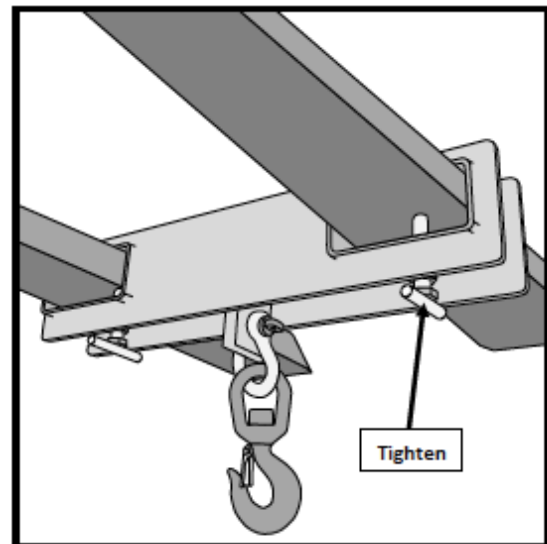
PARTS DIAGRAM / EXPLODED VIEW



KEY	DESCRIPTION	QTY
1	FRAME	1
2	HOOK	1
3	T-SCREWS	2

ASSEMBLY INSTRUCTIONS

**NEVER EXCEED THE 4,000 LB
MAX LIFTING CAPACITY OR THE
MAX CAPACITY OF YOUR FORK
BLADES**



SAFETY INSTRUCTIONS

- Ensure that the lifting hoist is in good working order. Take action for immediate repair. The use of unauthorized parts may be dangerous and will invalidate the warranty.
- Operate the lifting hoist in a suitable, well-lit work area.
- Keep work area clean and tidy and free from unrelated materials.
- Ensure all non-essential persons keep a safe distance whilst lifting.
- Always screw clamp frame to forks.
- DO NOT use to lift personnel.
- DO NOT carry loads over personnel.
- DO NOT leave suspended loads unattended.
- DO NOT use the lifting hoist if damaged.
- DO NOT allow untrained persons to operate the lifting hoist.
- DO NOT exceed the rated capacity of the lifting hoist.
- DO NOT manually carry assembled hoist by the hook.
- When not in use, store in a safe, dry, childproof area.
- BEFORE lifting the load ensure that the forks are in the lowest practical position, that there are no obstacles which may snag the load whilst it is being lifted and that the area above the forks is clear.
- To avoid injury, be fully aware of your own and other persons locations in relation to the lifting, and lowering, of the load.
- Ensure the center of gravity always remains inside the forks.
- DO NOT harness the load at an angle or use any attachments not verified as fit for purpose.
- DO NOT allow the load to swing during lifting/transporting.
- DO NOT allow the load to drop suddenly. Lower load with care, ensuring that you are fully aware of the condition of the surface onto which the load is to be placed.
- DO NOT use this product to perform a task for which it is not designed.
- DO NOT use whilst under the influence of drugs, alcohol or intoxicating medication.
- DO NOT climb on the forks.

ACKNOWLEDGEMENT OF RISK AND RELEASE OF LIABILITY

The use of any equipment, including this one, involves the potential risk of injury. Apart from any warranty claim that might be presented for a claimed defect in material or workmanship of the product, you accept and assume full responsibility for any and all injuries, damages (both economic and non-economic), and losses of any type, which may occur, and you fully and forever release and discharge Titan, its insurers, employees, officers, directors, associates, and agents from any and all claims, demands, damages, rights of action, or causes of action, present or future, whether the same be known or unknown, anticipated, or unanticipated, resulting from or arising out of the use of said equipment.

This equipment must be used with care by capable and competent individuals under supervision, if necessary.

WARNING



Do not overfill! Mower should be level when checking oil in gear box.



some activities might be able to cause electric shock



Sharp objects may be involved.
Use protective cover during maintenance.

TITAN LIMITED WARRANTY: TERMS, EXCLUSIONS AND LIMITATIONS OF REMEDIES

This product comes with a one (1) year limited warranty that can be found at www.palletforks.com/warranty.html. Please review the same for all details regarding the Titan Limited Warranty.

THE TITAN LIMITED WARRANTY FOUND AT WWW.PALLETFORKS.COM/WARRANTY.HTML IS EXCLUSIVE AND IS IN LIEU OF ALL OTHER WARRANTIES, EXPRESS OR IMPLIED, INCLUDING ANY IMPLIED WARRANTY OF MERCHANTABILITY AND/OR FITNESS FOR A PARTICULAR PURPOSE, EACH OF WHICH IS HEREBY DISCLAIMED.



NEED HELP? CONTACT US FIRST.

1-800-605-7595

info@palletworks.com
www.palletforks.com

© 2021 Titan Brands