

3 POINT TRACTOR SUBSOILER

HDSBSOIL

191314



Operator's Manual



Read the Operator's Manual entirely. When you see this symbol, the subsequent instructions and warnings are serious follow without exception. Your life and the lives of others depend on it!

CAUTION

THE FOLLOWING SAFETY PRECAUTIONS SHOULD BE THOROUGHLY UNDERSTOOD BEFORE ATTEMPTING TO BEGIN!!

EQUIPMENT SAFETY GUIDELINES

1. Never use alcoholic beverages or drugs which can hinder alertness or coordination while operating this equipment. Consult your doctor about operating this machine while taking prescription medications.
2. Review the safety instructions with all users annually.
3. This equipment is dangerous to children and persons unfamiliar with its operation. The operator should be a responsible adult familiar with farm machinery and trained in this equipment's operations. Do not allow persons to operate or assemble this unit until they have read this manual and have developed a thorough understanding of the safety precautions and of how works.
4. Never exceed the limits of a piece of machinery. 5. Do not modify the equipment in any way. Unauthorized modification may impair the function and could affect the life of equipment.

OPERATIONAL SAFETY

1. The use of this equipment is subject to certain hazards which cannot be protected against by mechanical means or product design. All operators of this equipment must read and understand this entire manual, paying particular attention to operating, prior to using. If there is something in this manual you do not understand, ask your supervisor, or your dealer, to explain it to you.
2. Personal protection equipment including hard hat, safety glasses, safety shoes, and gloves are recommended during assembly.
3. Never permit any person other than the operator to ride or board the tractor or implement at any time. Never allow anyone to ride on the implement!
4. A heavy load can cause instability in driving a tractor. Make sure the front or rear of the tractor is properly counterbalanced with weights and always drive slowly, especially around turns. An unstable tractor could steer badly and possibly tip over, causing injury or death.
5. Most accidents occur because of neglect or carelessness. Keep all helpers and bystanders at a safe distance.
6. Use stabilizer bars, adjustable sway chains, or sway blocks on your tractor lift arms to keep the rear blade from swinging side to side. Adjust as tightly as practical for best performance.
7. Do not operate close to ditches or creeks. Slow down when operating over rough ground.
8. When adjusting the angle of the moldboard assembly, be sure that your feet are never under the rear blade.
9. Be careful to avoid catching the rear blade on stumps or other immovable objects.

MAINTENANCE SAFETY

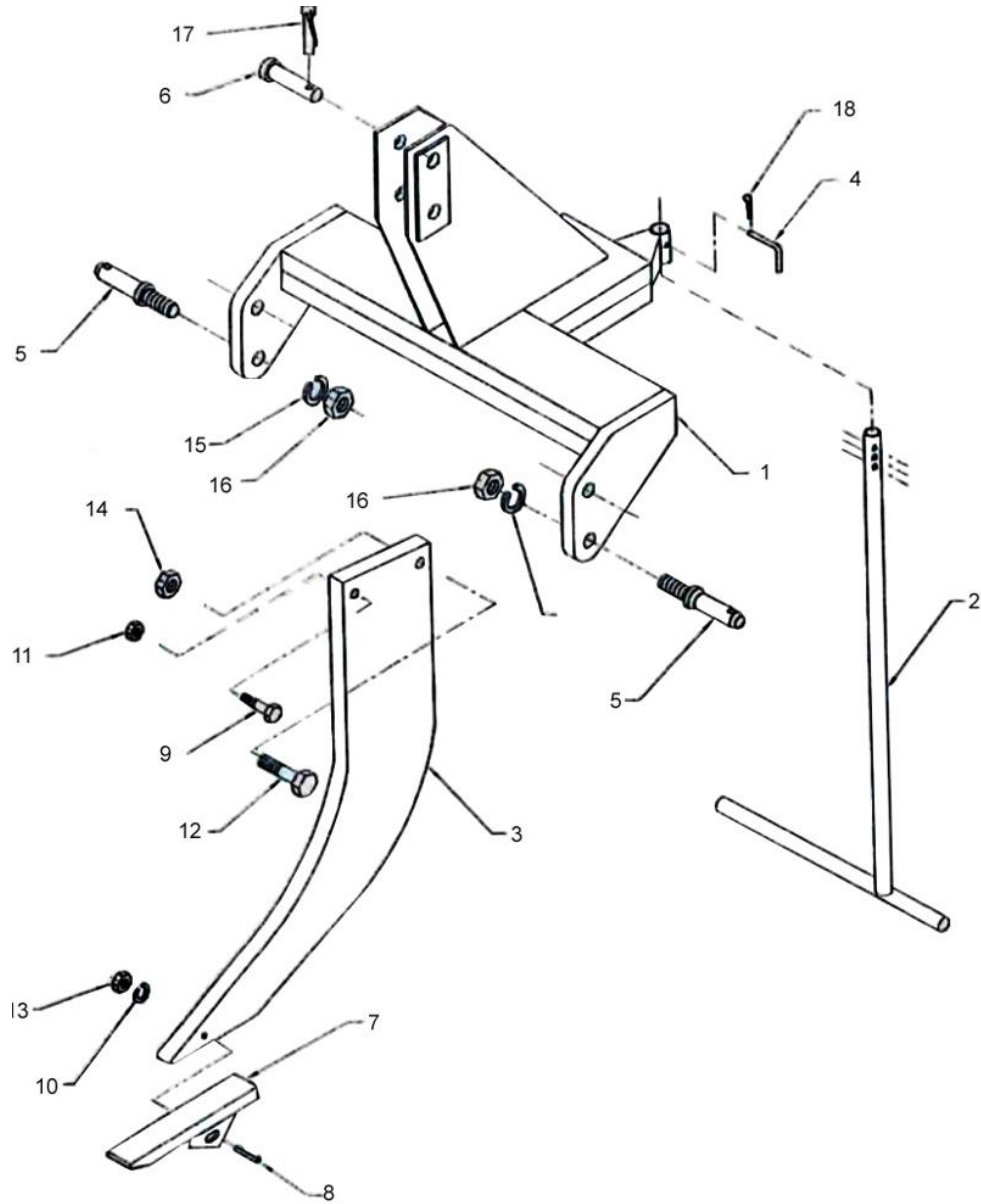
1. Keep all persons away from operator control area while performing adjustments, service, or maintenance.
2. Periodically tighten all bolts, nuts and screws and check that all cotter pins are properly installed to ensure unit is in a safe condition.
3. Never use your hands to locate a hydraulic leak on attachments. Use a small piece of cardboard or wood.
4. Never replace hex bolts with less than grade five bolts unless otherwise specified. Refer to bolt torque chart for head identification marking.

STORAGE SAFETY

1. Store the unit in an area away from human activity. Do not permit children to play on or around the stored unit.
2. Make sure all parked machines are on a hard, level surface and engage all safety devices.
3. If blocking is used, make sure it is solid and secure before leaving area.

ALWAYS OBEY ALL SAFETY RULES!
ALWAYS BE CAREFUL!

PARTS DIAGRAM/EXPLODED VIEW



KEY	DESCRIPTION	QTY	KEY	DESCRIPTION	QTY
(1)	MAIN FRAME	1	(10)	FLAT WASHER	2
(2)	STAND	1	(11)	LOCK NUT M16	1
(3)	TINE SUPPORT	1	(12)	BOLT M20*80	1
(4)	PIN 10	1	(13)	LOCK NUT M10	1
(5)	LIFT PIN 28	2	(14)	LOCK NUT M20	1
(6)	TOP LINK PIN 25	1	(15)	SPRING WASHER 24	2
(7)	TINE	1	(16)	NUT M24	2
(8)	BOLT M10*60	1	(17)	CIRCLE PIN	1
(9)	BOLT M16*80	1	(18)	HAIR PIN	1

ASSEMBLY INSTRUCTIONS

1. Select an area for assembly that is clean and free of any debris which might cause persons working on the assembly to trip.
2. Do not lift heavy parts or assemblies. Use crane, jack, tackle, fork trucks or other mechanical devices.
3. Preview the assembly instructions in your operator's manual before proceeding further.
4. If the assembly instructions call for parts or assemblies to be blocked up, use only block material that is in good condition and can handle the weight of the assembly to be blocked. Also ensure that the blocking material is on a clean, dry surface.
5. Never put hands, or any part of the body under blocked up assemblies if possible.
6. After completing assembly, thoroughly inspect the machine to be sure that all nuts, bolts, hydraulic fittings, or any other fastened assemblies have been thoroughly tightened.
7. Before operating the machine, thoroughly read the operation section of your operator's manual.
8. Before operating, read the machine section of your operator's manual to be sure that any parts requiring lubrication, such as gearbox, to avoid any possible damage.

Before operating equipment – if you have any questions regarding the proper assembly or operation, contact your dealer or representative.

SPECIFICATIONS

SHANK HEIGHT	
SHANK WIDTH	
SHANK THICKNESS	1.25"
SHANK POSITION	FIXED
MAX PENETRATION	18"
WORKING DEPTH	14"
OVERALL WIDTH	25"
MIN TRACTOR HQ REQUIRED	25HP
3 POINT HITCH	FITS CAT 1 AND 2
WEIGHT	230
NUMBER OF SHANKS	1

ACKNOWLEDGEMENT OF RISK AND RELEASE OF LIABILITY

The use of any equipment, including this one, involves the potential risk of injury. Apart from any warranty claim that might be presented for a claimed defect in material or workmanship of the product, you accept and assume full responsibility for any and all injuries, damages (both economic and non-economic), and losses of any type, which may occur, and you fully and forever release and discharge Titan, its insurers, employees, officers, directors, associates, and agents from any and all claims, demands, damages, rights of action, or causes of action, present or future, whether the same be known or unknown, anticipated, or unanticipated, resulting from or arising out of the use of said equipment.

This equipment must be used with care by capable and competent individuals under supervision, if necessary.

WARNING



Do not overfill! Mower should be level when checking oil in gear box.



some activities might be able to cause electric shock



Sharp objects may be involved.
Use protective cover during maintenance.

TITAN LIMITED WARRANTY: TERMS, EXCLUSIONS AND LIMITATIONS OF REMEDIES

This product comes with a one (1) year limited warranty that can be found at www.palletforks.com/warranty.html. Please review the same for all details regarding the Titan Limited Warranty.

THE TITAN LIMITED WARRANTY FOUND AT WWW.PALLETFORKS.COM/WARRANTY.HTML IS EXCLUSIVE AND IS IN LIEU OF ALL OTHER WARRANTIES, EXPRESS OR IMPLIED, INCLUDING ANY IMPLIED WARRANTY OF MERCHANTABILITY AND/OR FITNESS FOR A PARTICULAR PURPOSE, EACH OF WHICH IS HEREBY DISCLAIMED.



NEED HELP? CONTACT US FIRST.

1-800-605-7595

info@palletworks.com
www.palletforks.com

© 2023 Titan Brands