

T-3 SERIES YOKE

UPSHT3YOKE-BASET3YOKE, UPT3YOKE-BASET3YOKE

400253, 400254

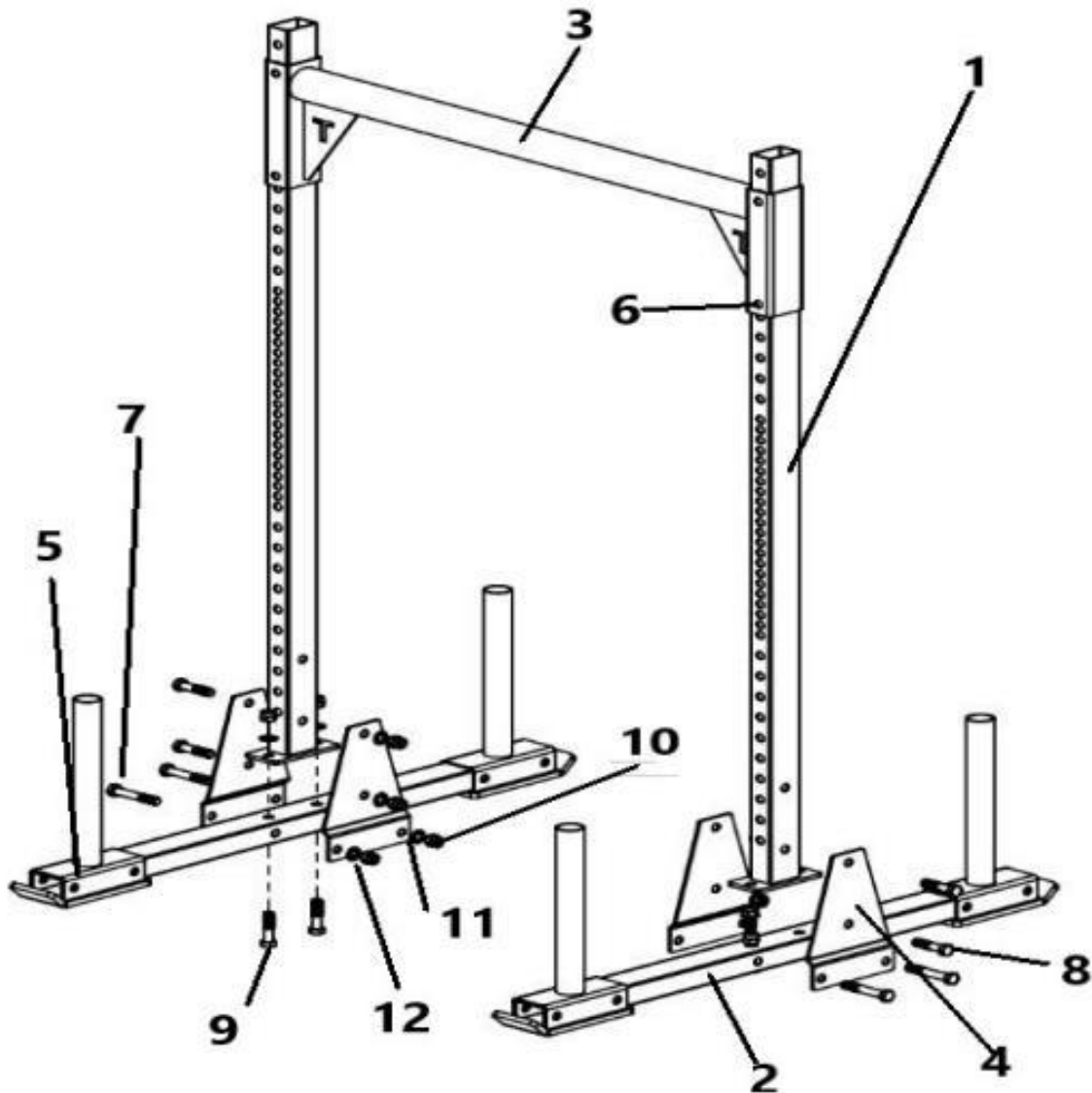


Operator's Manual



Read the Operator's Manual entirely. When you see this symbol, the subsequent instructions and warnings are serious follow without exception. Your life and the lives of others depend on it!

PARTS DIAGRAM / EXPLODED VIEW



KEY	DESCRIPTION	QTY	KEY	DESCRIPTION	QTY
(1)	UPRIGHTS	2	(8)	HEX BOLT M16*80	4
(2)	YOKE BASE	2	(9)	HEX BOLT M12*75	2
(3)	YOKE CROSSBAR	1	(10)	HEX LOCK NUT M16	16
(4)	GUSSETS	4	(11)	FLAT WASHER M16	16
(5)	YOKE FOOT / WEIGHT PEG	4	(12)	SPRING WASHER M16	16
(6)	QUICK PINS	4	(13)	HEX LOCK NUT M12	16
(7)	HEX BOLT M16*110	12			

ASSEMBLY INSTRUCTIONS

- 1. Lay out both YOKE BASE pieces (2), placing a YOKE FOOT/WEIGHT PEG (5) on either end of each base piece:**

Slide each YOKE FOOT/WEIGHT PEG (5) over the end of the YOKE BASE (2) making sure the angled end of the foot pad is facing the outside of the base. Line up both holes on the YOKE FOOT/WEIGHT PEG (5) with the corresponding hole on the YOKE BASE (2).
- 2. Set aside 8 of the HEX BOLT M16*110 (7) (your longest bolts) with 8 of your FLAT WASHER M16 (11), SPRING WASHER M16 (12), and HEX LOCK NUT M16 (10).**
- 3. Attach all 4 YOKE FOOT/WEIGHT PEGS. (5) to the YOKE BASE (2):**

Place one HEX BOLT M16*110 (7) with a FLAT WASHER M16 (11) through each hole on the YOKE FOOT/WEIGHT PEG (5). Once completely through both sides of the BASE and FOOT, add your SPRING WASHER M16 (12) and HEX LOCK NUT M16 (10) to each bolt. Tight, and repeat this process to all four YOKE FOOT/WEIGHT PEGS (5).
- 4. Attach UPRIGHTS (1) to YOKE BASE (2):**

Lay each YOKE BASE (2) on its side. Lay aside 4 HEX BOLT M12*75 (9), 8 FLAT WASHER M12, and 4 HEX LOCK NUT M12 (13). Working one UPRIGHT (1) at a time, align the UPRIGHT (1) mount plate holes with the corresponding holes on the YOKE BASE (2). Place one HEX BOLT M12*75 (9) with a FLAT WASHER M12 through the bottom of the YOKE BASE (2) on either side of the mount plate. Once completely through the mount plate, place on more FLAT WASHER M12 and a HEX LOCK NUT M12 (3) onto the bolt and tighten. Repeat this process for the second upright.
- 5. Attach GUSSETS (4) to either side of the UPRIGHTS (1) / YOKE BASE (2):**

Lay aside 2 GUSSETS (4) for each UPRIGHT (1) / YOKE BASE (2). Lay side 4 HEX BOLTS M16*110 (7), 4 HEX BOLTS M16*80, 4 SPRING WASHER M16 (12), 12 FLAT WASHER M16 (11), and 8 HEX LOCK NUT M16 (8). Line up the holes in the GUESSETS (4) with the holes on the YOKE BASE (2). Place. HEX BOLT M16*110 (7) with a FLAT WASHER M16 (11) through the bolt holes. Then, add your SPRING WASHER M16 (12) and HEX LOCK NUT M16 (1) but DO NOT tighten. Now add your HEX BOLT M16*80 (8) with a FLAT WASHER M16 (11) through the GUSSET (4) holes aligned on the upright. Finally add another FLAT WASHER M16 (11) and a HEX LOCK NUT M16 (10) and tighten all nuts until secure. Repeat this process for the second upright.
- 6. Attach the YOKE CROSSBAR (3) to the UPRIGHTS (1) using the QUICK PINS (6):**

Carefully stand both assembled UPRIGHTS (1) up and place them approximately 46" apart. Slide the sleeves of the YOKE CROSSBAR (3) onto the tops of the UPRIGHTS (1). Once you reach a desired height for your CROSSBAR, slide the QUICK PINS (6) through each hole and secure them with the attached linchpin. Repeat this process for all 4 QUICK PINS (6) on either side of the YOKE CROSSBAR (3).

ACKNOWLEDGEMENT OF RISK AND RELEASE OF LIABILITY

The use of any equipment, including this one, involves the potential risk of injury. Apart from any warranty claim that might be presented for a claimed defect in material or workmanship of the product, you accept and assume full responsibility for any and all injuries, damages (both economic and non-economic), and losses of any type, which may occur, and you fully and forever release and discharge Titan, its insurers, employees, officers, directors, associates, and agents from any and all claims, demands, damages, rights of action, or causes of action, present or future, whether the same be known or unknown, anticipated, or unanticipated, resulting from or arising out of the use of said equipment.

This equipment must be used with care by capable and competent individuals under supervision,

WARNING



Heavy object. Use lifting aids and proper lifting techniques when moving.



Choking hazard. Small parts – Please exercise caution if small children or pets are present.



Sharp objects may be involved. Use precaution and protection.

TITAN LIMITED WARRANTY: TERMS, EXCLUSIONS AND LIMITATIONS OF REMEDIES

This product comes with a one (1) year limited warranty that can be found at www.titan.fitness/warranty.html Please review the same for all details regarding the Titan Limited Warranty.

THE TITAN LIMITED WARRANTY FOUND AT WWW.TITAN.FITNESS/WARRANTY IS EXCLUSIVE AND IS IN LIEU OF ALL OTHER WARRANTIES, EXPRESS OR IMPLIED, INCLUDING ANY IMPLIED WARRANTY OF MERCHANTABILITY AND/OR FITNESS FOR A PARTICULAR PURPOSE, EACH OF WHICH IS HEREBY DISCLAIMED.



NEED HELP? CONTACT US FIRST.

1-888-410-1503

info@titan.fitness

www.titan.fitness

© 2023 Titan Brands