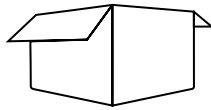




PARKGRILL2S_AE

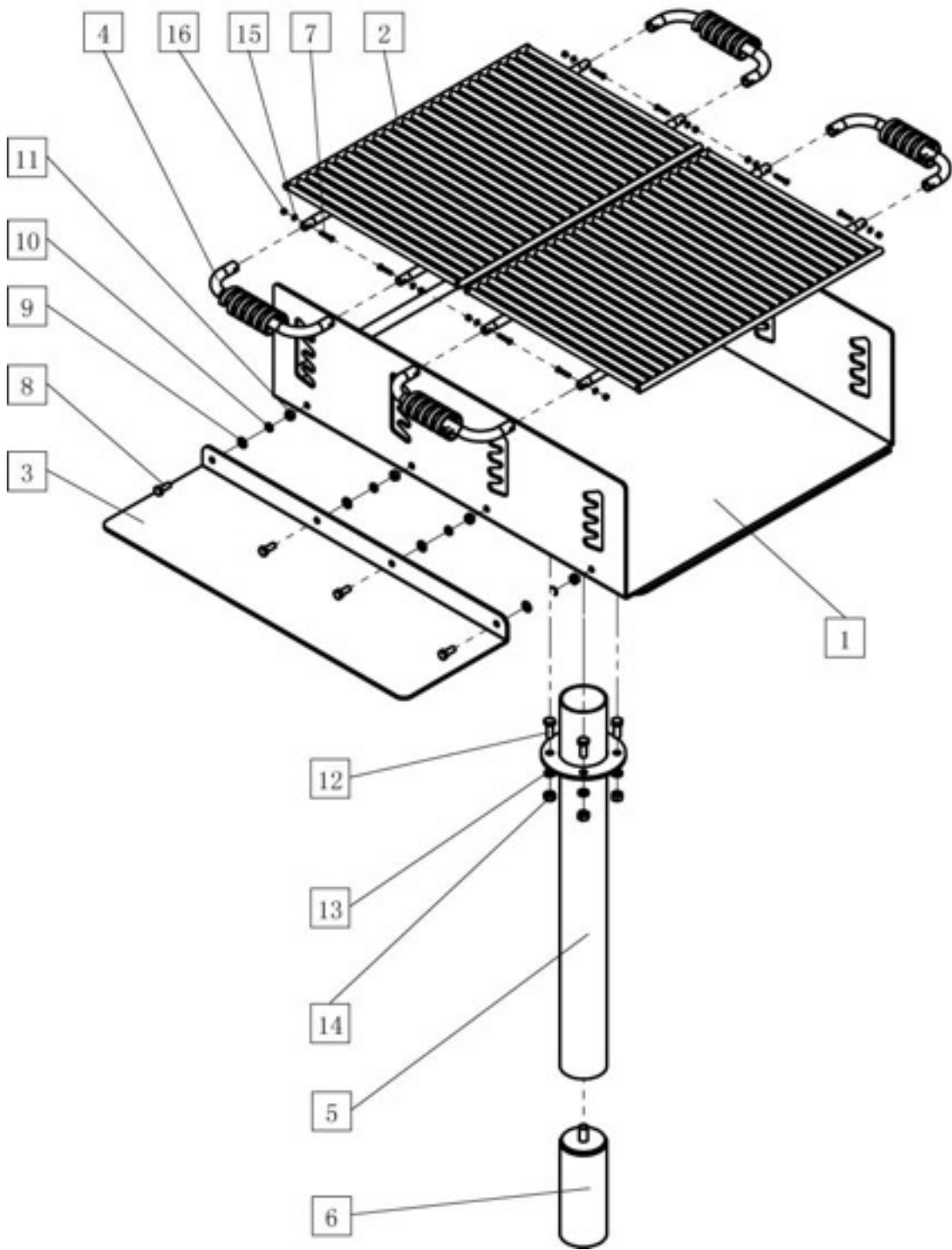
942 Sq. In. Group Park-Style Grill with Shelf





UNBOXING

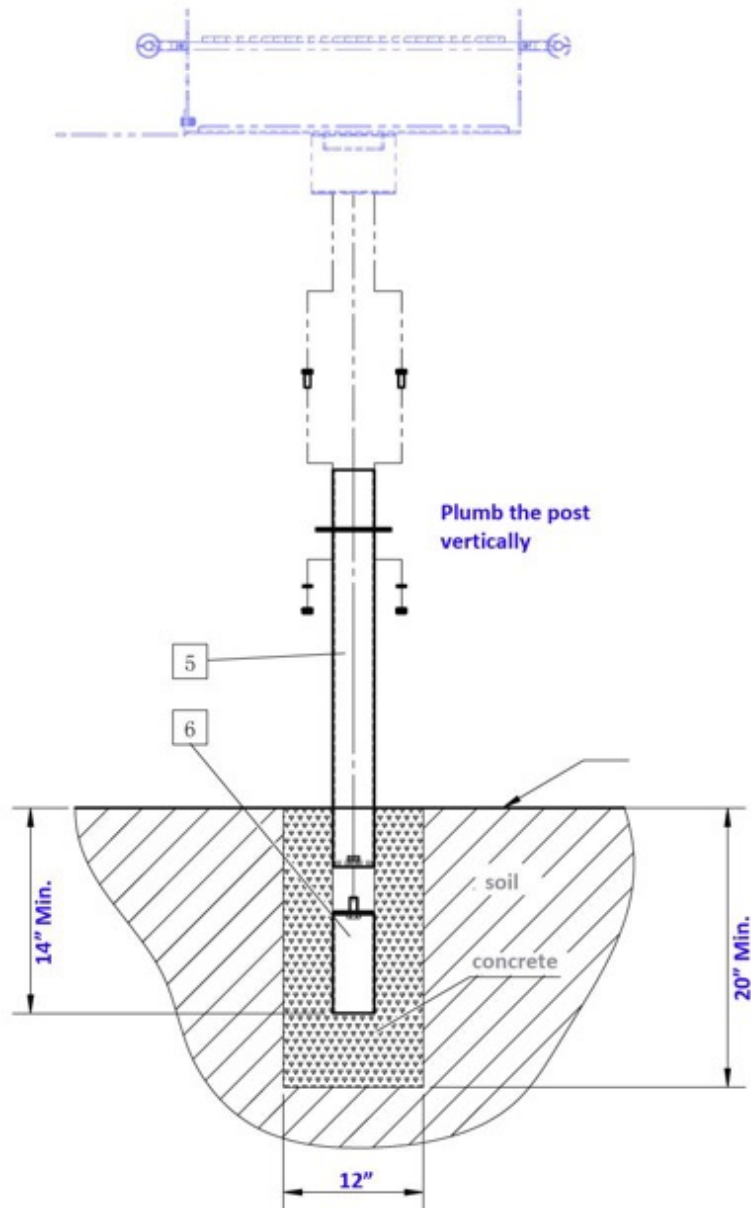
- 1.** GRILL BOX (1 pc)
- 2.** COOKING GRATE (2 pc)
- 3.** FOOD TRAY (1 pc)
- 4.** HANDLE (4 pc)
- 5.** UPPER POST (1 pc)
- 6.** LOWER POST (1 pc)
- 7.** COUNTERSUNK HEX BOLT M5X30 (8 pc)
- 8.** HEX NUT M10X25 (4 pc)
- 9.** FLAT WASHER 10 (4 pc)
- 10.** SPRING WASHER 10 (4 pc)
- 11.** HEX NUT M10 (4 pc)
- 12.** HEX BOLT M12X30 (4 pc)
- 13.** SPRING WASHER 12 (4 pc)
- 14.** HEX NUT M12 (4 pc)
- 15.** FLAT WASHER 5 (8 pc)
- 16.** HEX NUT M5 (8 pc)



1. CONNECT UPPER POST TO LOWER POST

- a. Screw Upper Post (5) onto Lower Post (6) and tighten.

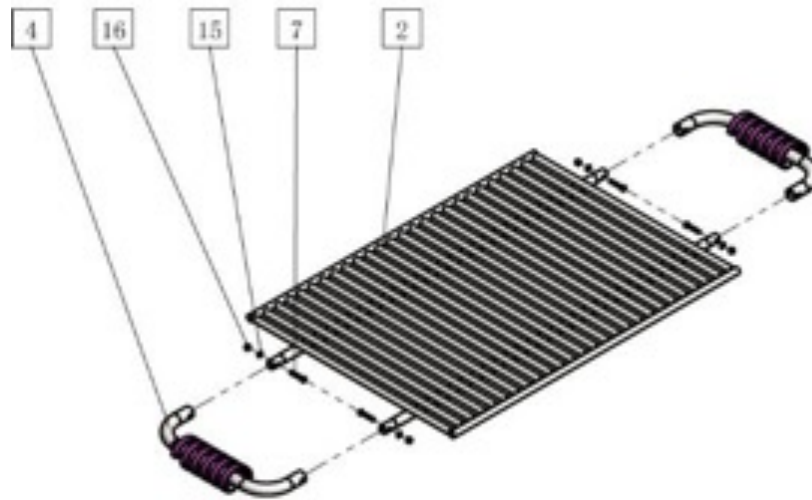
2. FOUNDATION WORK



- a. Use a post hole digger to dig a hole with minimum diameter of 12" by 20" deep and fill the hole with concrete.
- b. Push the Post into concrete for minimum 14" deep, leaving about 38" above the ground (if lower grilling height is preferred, push the post further below). It is very important to make sure that the post is plumbed vertically). Do not install the Grill Box on Post until concrete is fully cured.

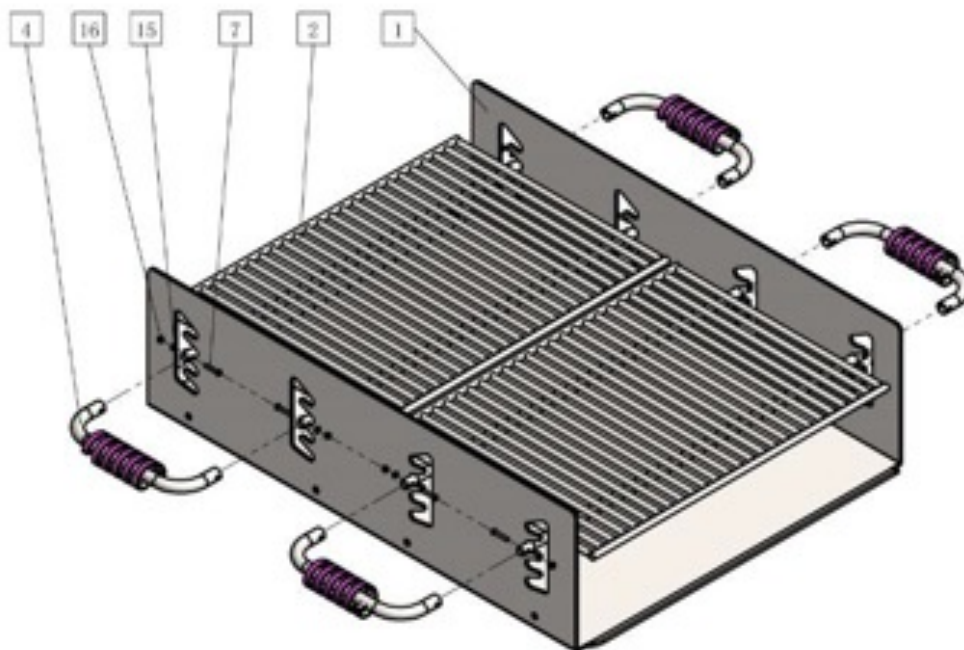
3. ASSEMBLING THE GRILL

- a. Taking of handle attached to Cooking Grate
- b. Handles (4) are bolted onto Cooking Grate (2) for shipping. Using Allen Wrench to take off the Handle (4) from Cooking Grate (2) by unscrewing Countersunk Hex Bolt M5x30 (7). Keep the hardware sets including also Flat Washer 5 (15) and Hex Bolt M5 (16) for later use.

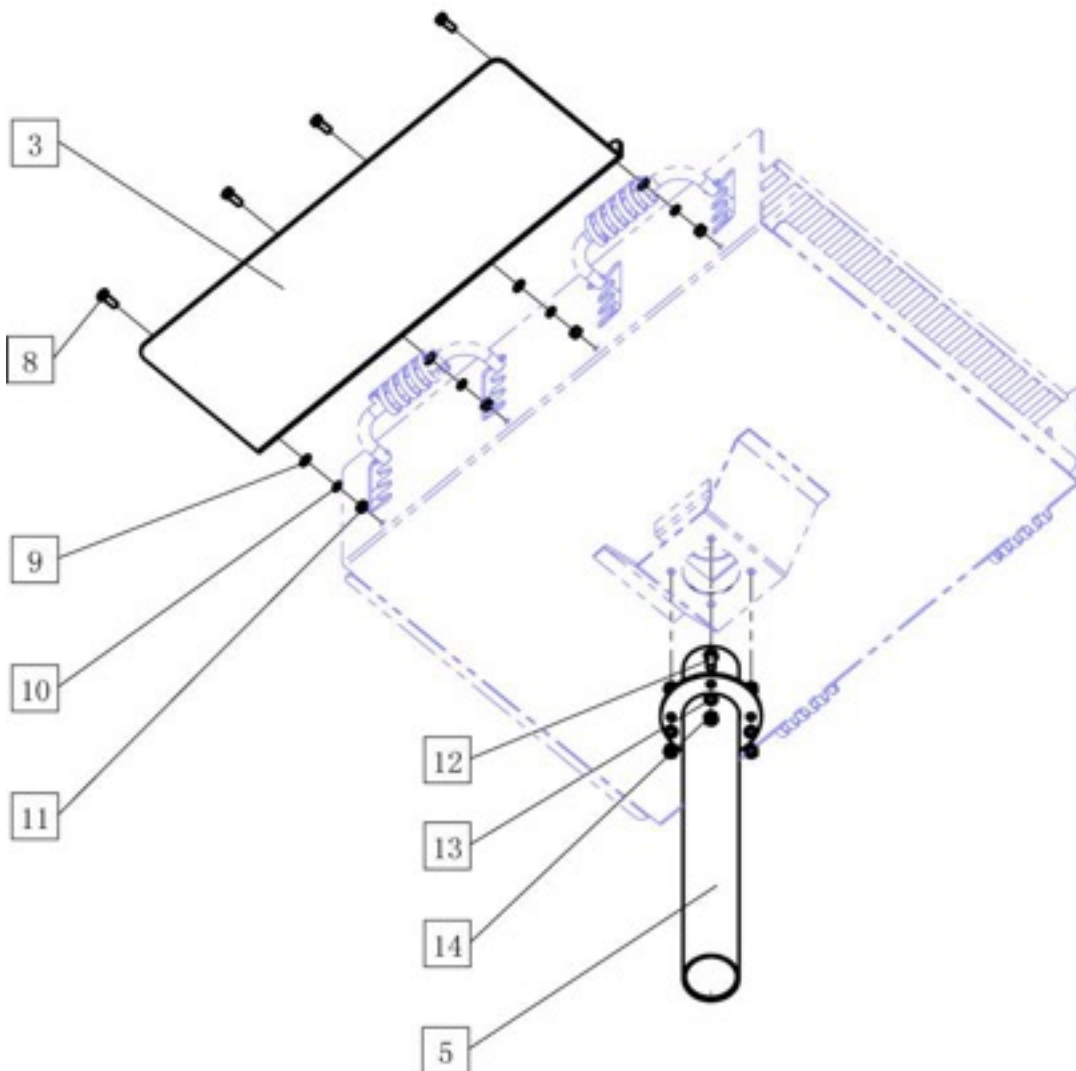


4. INSTALL COOKING GRATES ONTO GRILL BOX

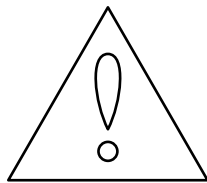
- a. Rest the support bars of the Cooking Grate (2) into the channels of the Grill Box (1).
- b. Attach the Handle (4) into the support bars of the Cooking Grate (2). Align holes and insert Countersunk Hex Bolt M5x30 (7) through the holes and lock the handle with Flat Washer 5 (15) and Hex Bolt M5 (16).



5. INSTALLING GRILL BOX ON POST



- a. Make sure that the concrete holding the Post is fully cured. Align the hole of Grill Box (1) bottom bracket with the Post. Align bolt holes of the Grill Box bracket with that of the Post flange at Post top. Lock the Grill Box (1) by using Hex Bolt M12x30 (12), Spring Washer 12 (13) and Hex Nut M12 (14).
- b. Install the Food Tray (3) by using Hex Bolt M10x25 (8), Flat Washer 10 (9), Spring Washer 10 (10) And Hex Nut M12 (11).



WARNINGS



Heavy object. Use lifting aids and proper lifting techniques when moving.



Sharp objects may be involved. Use precaution and protection.



Choking hazard. Small parts - Please exercise caution if small children or pets are present.

Acknowledgement of Risk & Release of Liability

The use of any equipment, including this one, involves the potential risk of injury. Apart from any warranty claim that might be presented for a claimed defect in material or workmanship of the product, you accept and assume full responsibility for any and all injuries, damages (both economic and non-economic), and losses of any type, which may occur, and you fully and forever release and discharge Titan, its insurers, employees, officers, directors, associates, and agents from any and all claims, demands, damages, rights of action, or causes of action, present or future, whether the same be known or unknown, anticipated, or unanticipated, resulting from or arising out of the use of said equipment. This equipment must be used with care by capable and competent individuals under supervision, if necessary.

Time Limited Warranty: Terms, Exclusions & Limitations of Remedies

This product comes with a one (1) year limited warranty that can be found at www.ashandemberoutdoors.com/warranty.html. Please review the same for all details regarding the Titan Limited Warranty.

THE TITAN LIMITED WARRANTY FOUND AT WWW.TITANGREATOUTDOORS.COM/WARRANTY.HTML IS EXCLUSIVE AND IS IN LIEU OF ALL OTHER WARRANTIES, EXPRESS OR IMPLIED, INCLUDING ANY IMPLIED WARRANTY OF MERCHANTABILITY AND/OR FITNESS FOR A PARTICULAR PURPOSE, EACH OF WHICH IS HEREBY DISCLAIMED.

ASH & EMBER

Need help? Contact us first.

PHONE

1-888-794-1455

EMAIL

info@ashandemberoutdoors.com

ASH & EMBER

www.ashandemberoutdoors.com