

HARDSCAPE GRAPPLE CLAW

SSCLAW

113221

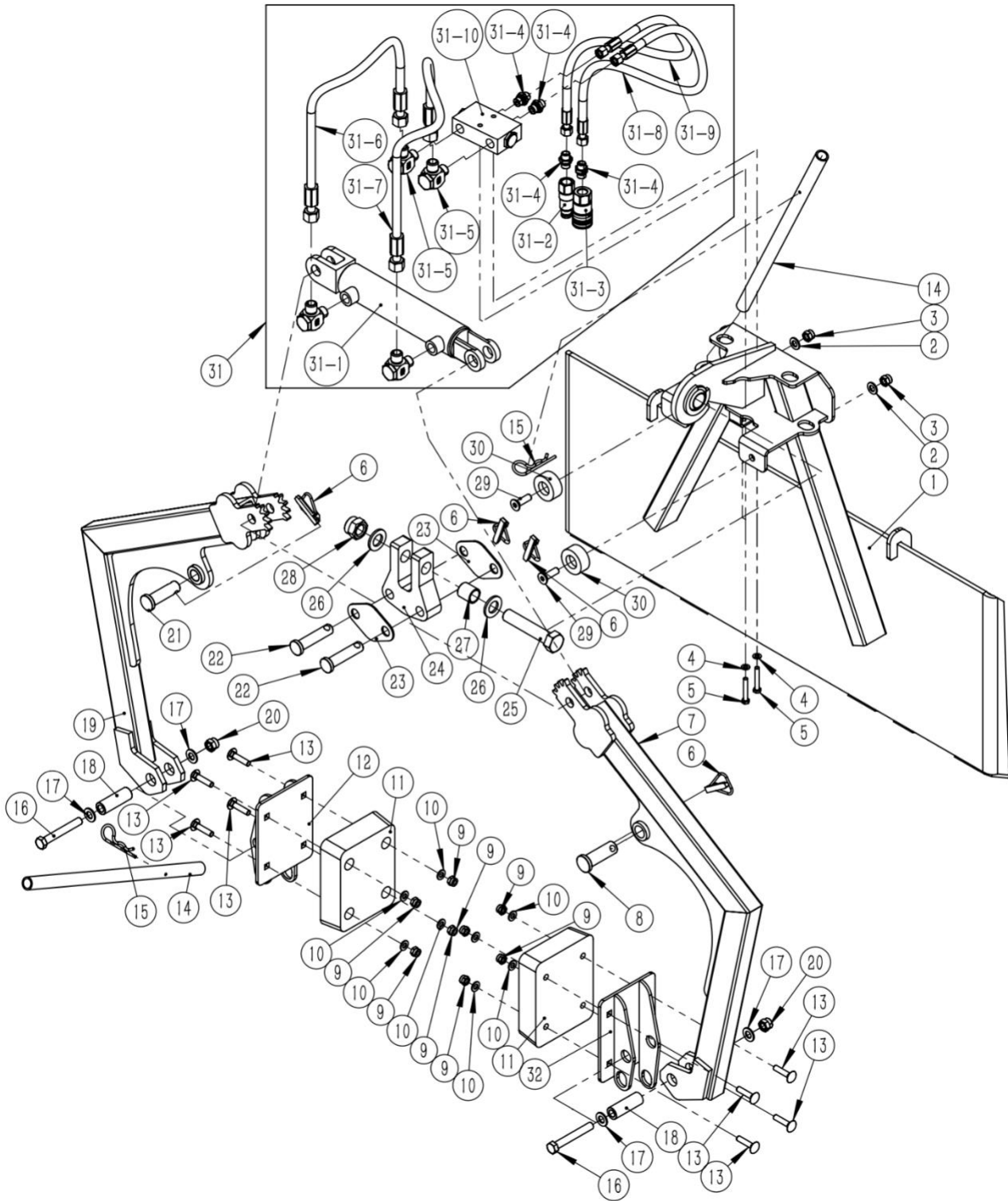


Operator's Manual



Read the Operator's Manual entirely. When you see this symbol, the subsequent instructions and warnings are serious follow without exception. Your life and the lives of others depend on it!

PARTS DIAGRAM / EXPLODED VIEW



| KEY | BOX | DESCRIPTION | QTY |
|-------|---------------|--|-----|
| 1 | SCG48.1 | CONNECTING PLATE WELDMENT | 1 |
| 2 | GB/T 97.1 | PLAIN WASHER 12 | 2 |
| 3 | GB/T 889.1 | LOCK NUT M12 | 2 |
| 4 | GB/T 97.1 | PLAIN WASHER 8 | 2 |
| 5 | GB/T 5783 | BOLT M8×50 | 2 |
| 6 | DIN 11023 | LOCK PIN Φ11*40 | 4 |
| 7 | TCG48.4 | CLAW WELDMENT 02 | 1 |
| 8 | TCG48.14 | PIN | 1 |
| 9 | GB/T 889.1 | LOCK NUT M10 | 8 |
| 10 | GB/T 97.1 | PLAIN WASHER 10 | 8 |
| 11 | TCG48.7 | RUBBER | 2 |
| 12 | TCG48.6 | PLATE 02 | 1 |
| 13 | GB/T 14 | MUSHROOM HEAD SQUARE NECK BOLT M10×45 | 8 |
| 14 | TCG48.9 | SUPPORTING WELDMENT | 2 |
| 15 | DIN 11024 | SPLIT PIN 5 | 2 |
| 16 | GB/T 5782 | BOLT M14×100 | 2 |
| 17 | GB/T 97.1 | PLAIN WASHER 14 | 4 |
| 18 | TCG48.8 | TURN SPACE | 2 |
| 19 | TCG48.3 | CLAW WELDMENT 01 | 1 |
| 20 | GB/T 889.1 | LOCK NUT M14 | 2 |
| 21 | TCG48.13 | PIN | 1 |
| 22 | TCG48.12 | CLAW PIN | 2 |
| 23 | TCG48.10 | CLAW ASSEMBLE PLATE | 2 |
| 24 | TCG48.2 | TURN CONNECTING BLOCK | 1 |
| 25 | GB/T 5782 | BOLT M24×120 | 1 |
| 26 | GB/T 97.1 | PLAIN WASHER 24 | 2 |
| 27 | TCG48.15 | TURN CONNECTING BLOCK SPACE | 1 |
| 28 | GB/T 889.1 | LOCK NUT M24 | 1 |
| 29 | GB/T 70.3 | HEX SOCKET FLAT HEAD SCREW M12×40 | 2 |
| 30 | SS180W.5 | RUBBER RING | 2 |
| 31 | TCG48.11 | HYDRAULIC COMPONENTS | 1 |
| 31-1 | TCG48.11.1 | HYDRAULIC CYLINDER | 1 |
| 31-2 | KIS-PT-G04SP | QUICK-CHANGE CONNECTOR G1/2 (MALE) | 1 |
| 31-3 | KIS-PT-G04SP | QUICK-CHANGE CONNECTOR G1/2 (FEMALE) | 1 |
| 31-4 | GE10LR12EDOMD | CONNECTOR M16*1.5-G1/2" | 4 |
| 31-5 | WH15LRKDSOMD | HINGE JOINT CONNECTOR M16*1.5-G1/2" | 4 |
| 31-6 | TCG48.11-2 | TUBING 01 | 1 |
| 31-7 | TCG48.11-3 | TUBING 02 | 1 |
| 31-8 | TCG48.11-4 | TUBING 03 | 1 |
| 31-9 | TCG48.11-5 | TUBING 04 | 1 |
| 31-10 | VRPDC-G1/2 | HYDRAULIC LOCK | 1 |
| 32 | TCG48.5 | PLATE 01 | 1 |

ASSEMBLY INSTRUCTIONS

- SSCLAW COMES FULLY ASSEMBLED.

ACKNOWLEDGEMENT OF RISK AND RELEASE OF LIABILITY

The use of any equipment, including this one, involves the potential risk of injury. Apart from any warranty claim that might be presented for a claimed defect in material or workmanship of the product, you accept and assume full responsibility for any and all injuries, damages (both economic and non-economic), and losses of any type, which may occur, and you fully and forever release and discharge Titan, its insurers, employees, officers, directors, associates, and agents from any and all claims, demands, damages, rights of action, or causes of action, present or future, whether the same be known or unknown, anticipated, or unanticipated, resulting from or arising out of the use of said equipment.

This equipment must be used with care by capable and competent individuals under supervision, if necessary.

WARNING



Do not overfill! Mower should be level when checking oil in gear box.



some activities might be able to cause electric shock



Sharp objects may be involved.
Use protective cover during maintenance.

TITAN LIMITED WARRANTY: TERMS, EXCLUSIONS AND LIMITATIONS OF REMEDIES

This product comes with a one (1) year limited warranty that can be found at www.palletforks.com/warranty.html. Please review the same for all details regarding the Titan Limited Warranty.

THE TITAN LIMITED WARRANTY FOUND AT WWW.PALLETFORKS.COM/WARRANTY.HTML IS EXCLUSIVE AND IS IN LIEU OF ALL OTHER WARRANTIES, EXPRESS OR IMPLIED, INCLUDING ANY IMPLIED WARRANTY OF MERCHANTABILITY AND/OR FITNESS FOR A PARTICULAR PURPOSE, EACH OF WHICH IS HEREBY DISCLAIMED.



NEED HELP? CONTACT US FIRST.

1-800-605-7595

info@palletworks.com
www.palletforks.com

© 2023 Titan Brands