

3 POINT CRIMPER ROLLER

CRMPROLL6, CRMPROLL8

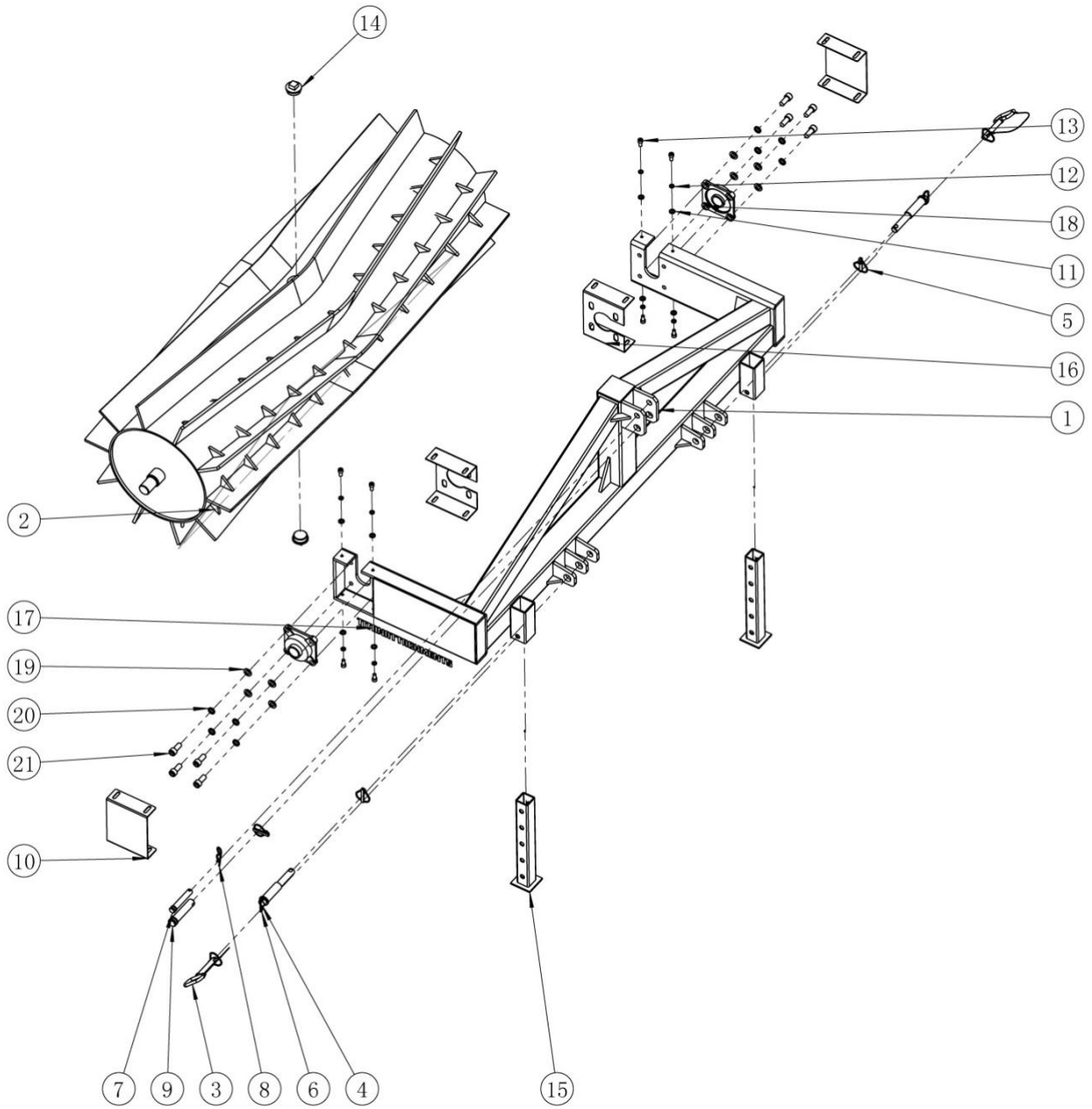
191425, 191426



Operator's Manual

Read the Operator's Manual entirely. When you see this symbol, the subsequent instructions and warnings are serious follow without exception. Your life and the lives of others depend on it!

PARTS DIAGRAM / EXPLODED VIEW

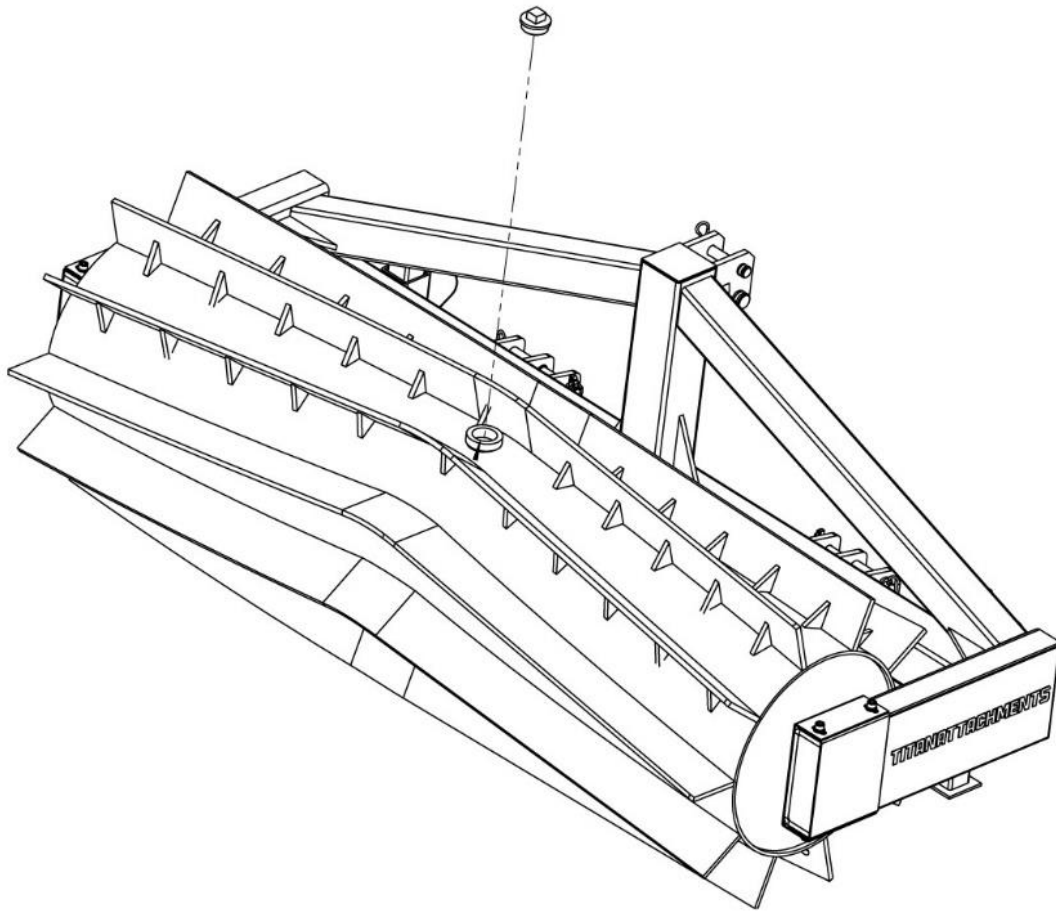


PARTS DIAGRAM / EXPLODED VIEW

KEY	DESCRIPTION	QTY
(1)	MAIN FRAME	1
(2)	CRIMP ROLLER	1
(3)	LEG PIN (ϕ 16x80x6)	2
(4)	3PT BOTTOM LINK STEP PIN	2
(5)	LOCK PIN ϕ 9.5	3
(6)	PIN HANDFLE RING	2
(7)	3PT TOP LINK CAT1 PIN	1
(8)	COTTER PIN 4x70	1
(9)	3PT TOP LINK CAT2 PIN	1
(10)	FRAME SIDE COVER	2
(11)	FLAT WASHER M10	8
(12)	SPRING WASHER M10	8
(13)	COUNTERSUNK SOCKET HEAD HEXA BOLT	8
(14)	WATER PLUG	2
(15)	STAND LEG	2
(16)	BEARING COVER	2
(17)	TITAN LABEL	2
(18)	BALL BEARING UCF208	2
(19)	FLAT WASHER M16	10
(20)	SPRING WASHER M16	10
(21)	COUNTERSUNK SOCKET HEAD HEXA BOLT	10

ASSEMBLY INSTRUCTIONS

THIS PRODUCT IS SOLD IN FULL ASSEMBLE. NO ASSEMBLING IS REQUIRED. HOWEVER, CUSTOMER HAS TO FILL THE ROLLER WITH WATER BEFORE USE. TO FILL THE ROLLER WITH WATER, REMOVE THE WATER PLUG, INSERT WATER HOSE INTO THE ROLLER AND FILL THE ROLLER WITH WATER. WIND THREAD OF WATER PLUG WITH WATERPROOF SEAL TAPE AND TIGHTEN.



ACKNOWLEDGEMENT OF RISK AND RELEASE OF LIABILITY

The use of any equipment, including this one, involves the potential risk of injury. Apart from any warranty claim that might be presented for a claimed defect in material or workmanship of the product, you accept and assume full responsibility for any and all injuries, damages (both economic and non-economic), and losses of any type, which may occur, and you fully and forever release and discharge Titan, its insurers, employees, officers, directors, associates, and agents from any and all claims, demands, damages, rights of action, or causes of action, present or future, whether the same be known or unknown, anticipated, or unanticipated, resulting from or arising out of the use of said equipment.

This equipment must be used with care by capable and competent individuals under supervision, if necessary.

WARNING



Do not overfill! Mower should be level when checking oil in gear box.



some activities might be able to cause electric shock



Sharp objects may be involved.
Use protective cover during maintenance.

TITAN LIMITED WARRANTY: TERMS, EXCLUSIONS AND LIMITATIONS OF REMEDIES

This product comes with a one (1) year limited warranty that can be found at www.palletforks.com/warranty.html. Please review the same for all details regarding the Titan Limited Warranty.

THE TITAN LIMITED WARRANTY FOUND AT WWW.PALLETFORKS.COM/WARRANTY.HTML IS EXCLUSIVE AND IS IN LIEU OF ALL OTHER WARRANTIES, EXPRESS OR IMPLIED, INCLUDING ANY IMPLIED WARRANTY OF MERCHANTABILITY AND/OR FITNESS FOR A PARTICULAR PURPOSE, EACH OF WHICH IS HEREBY DISCLAIMED.



NEED HELP? CONTACT US FIRST.

1-800-605-7595

info@palletworks.com

www.palletforks.com

© 2023 Titan Brands