

HYDRAULIC ANGLE BROOMS

HSSBROOM72, HSSBROOM84, BRISTLE7PACK
194138, 194139, 194144



Operator's Manual

Read the Operator's Manual entirely. When you see this symbol, the subsequent instructions and warnings are serious follow without exception. Your life and the lives of others depend on it!

**MUST BE CONNECTED TO 12V POWER SOURCE TO FUNCTION
THE ANGLE CONTROLLER.**

- Includes 14 pin adapter for electrical connection
- Can be removed if hooking directly to the battery

SKID STEER REQUIREMENTS

The Rotary Tiller is designed to attach to skid steer loaders with the following minimum requirements:

SAE LIFT CAPACITY: 1200 LBS.

HITCH TYPE: UNIVERSAL QUICK TACH

HYDRAULIC FLOW RATES

HYDRAULIC FLOW: 18 - 24 GPM

HYDRAULIC HOSES: 2 - HYDRAULIC OUTLETS

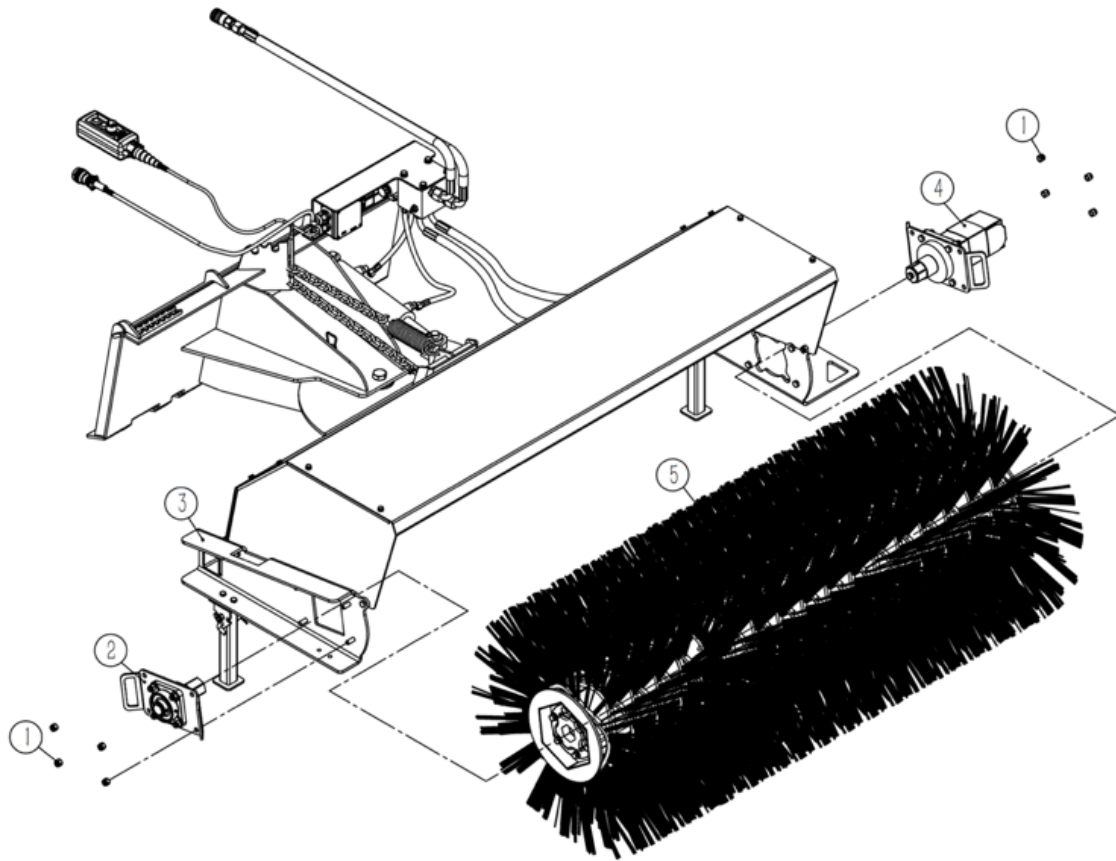
VOLTAGE REQUIRED: 12V DC

SPECIFICATIONS & CAPACITIES

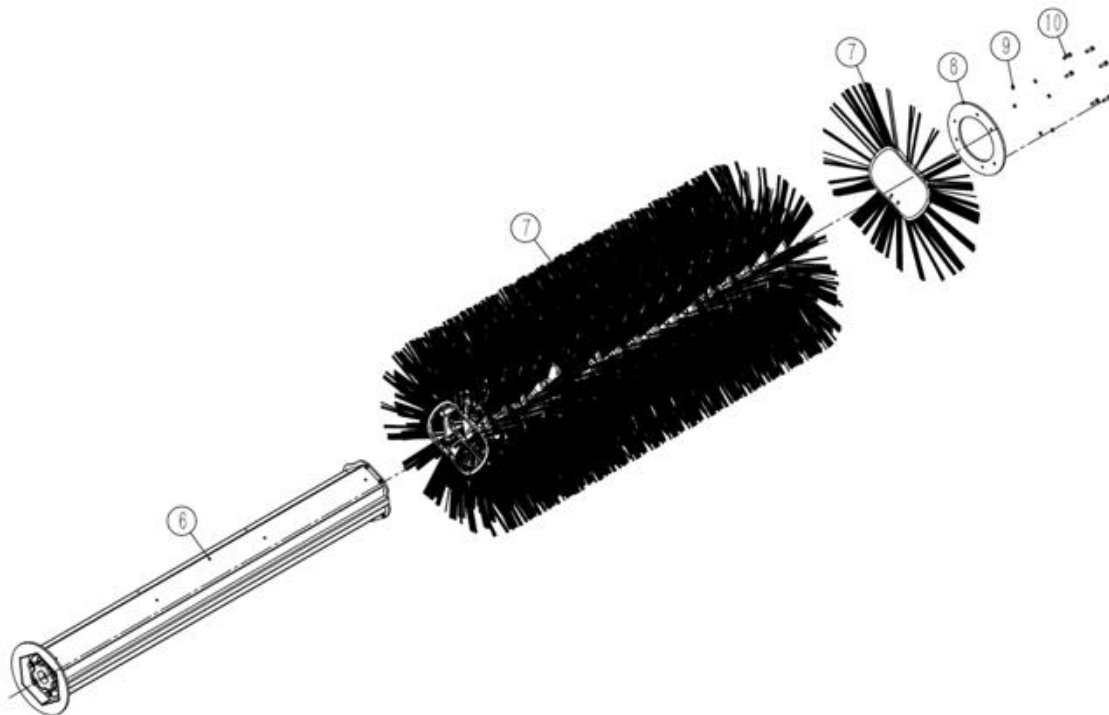
MODEL	HSSBROOM72	HSSBROOM84
WEIGHT	990 LB	1,012 LB
WORKING WIDTH	72"	84"
HYDRAULIC FLOW	18-24 GPM	18-24 GPM
AUXILIARY PRESSURE	3,500 PSI	4,000 PSI

REPLACE BRISTLE

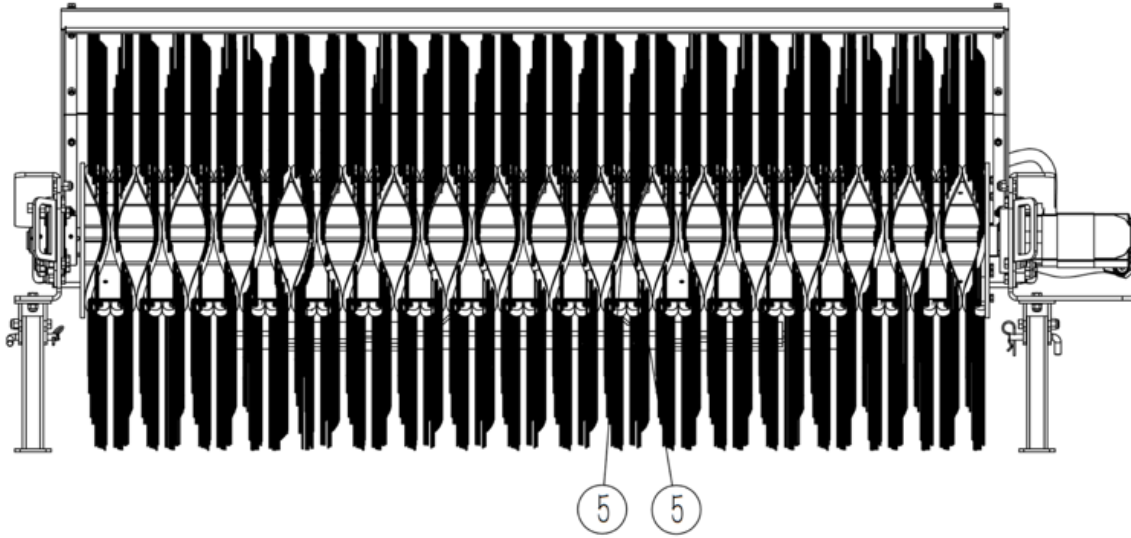
1. Disassemble parts 1, 2, 3, 4



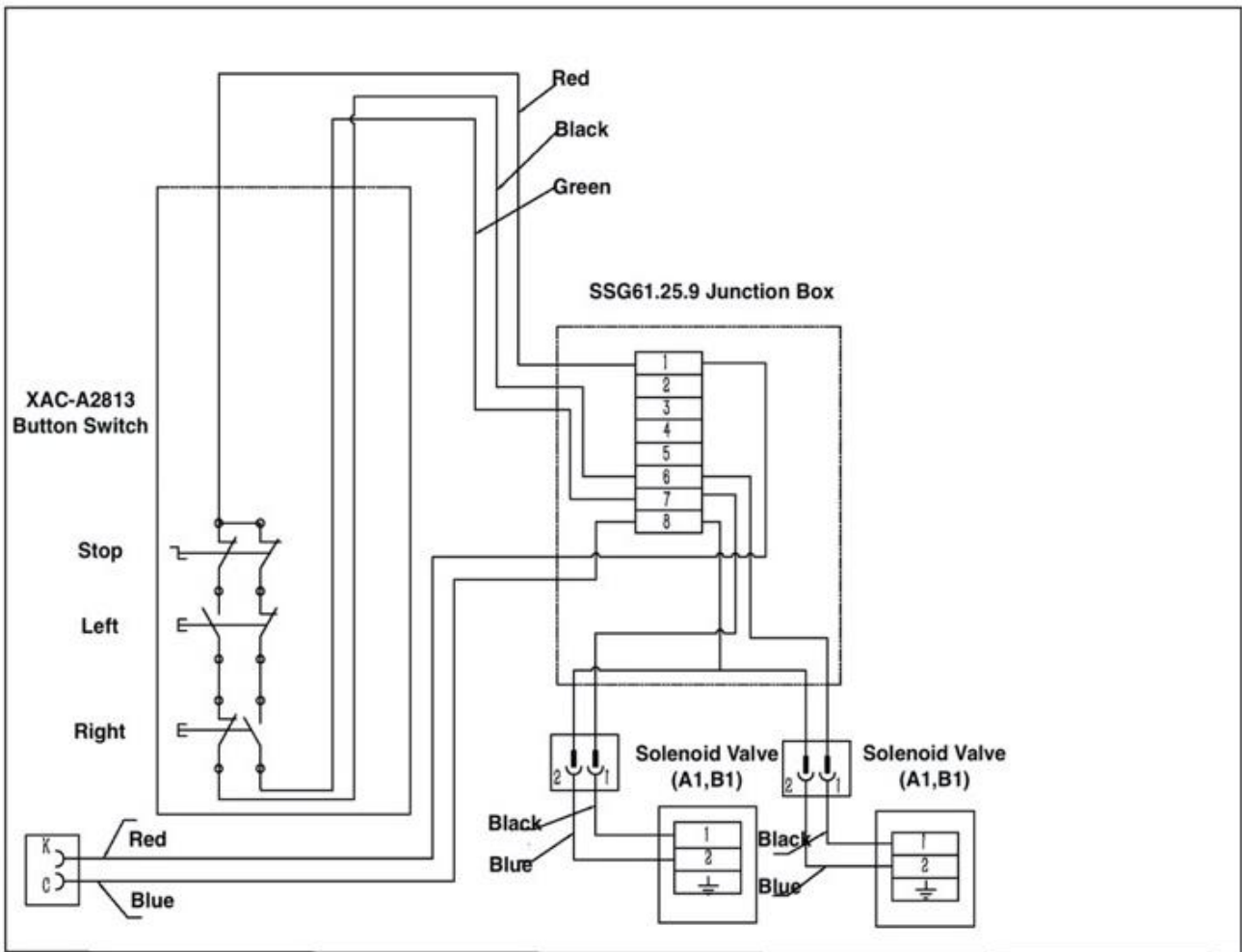
2. Remove bristle axle



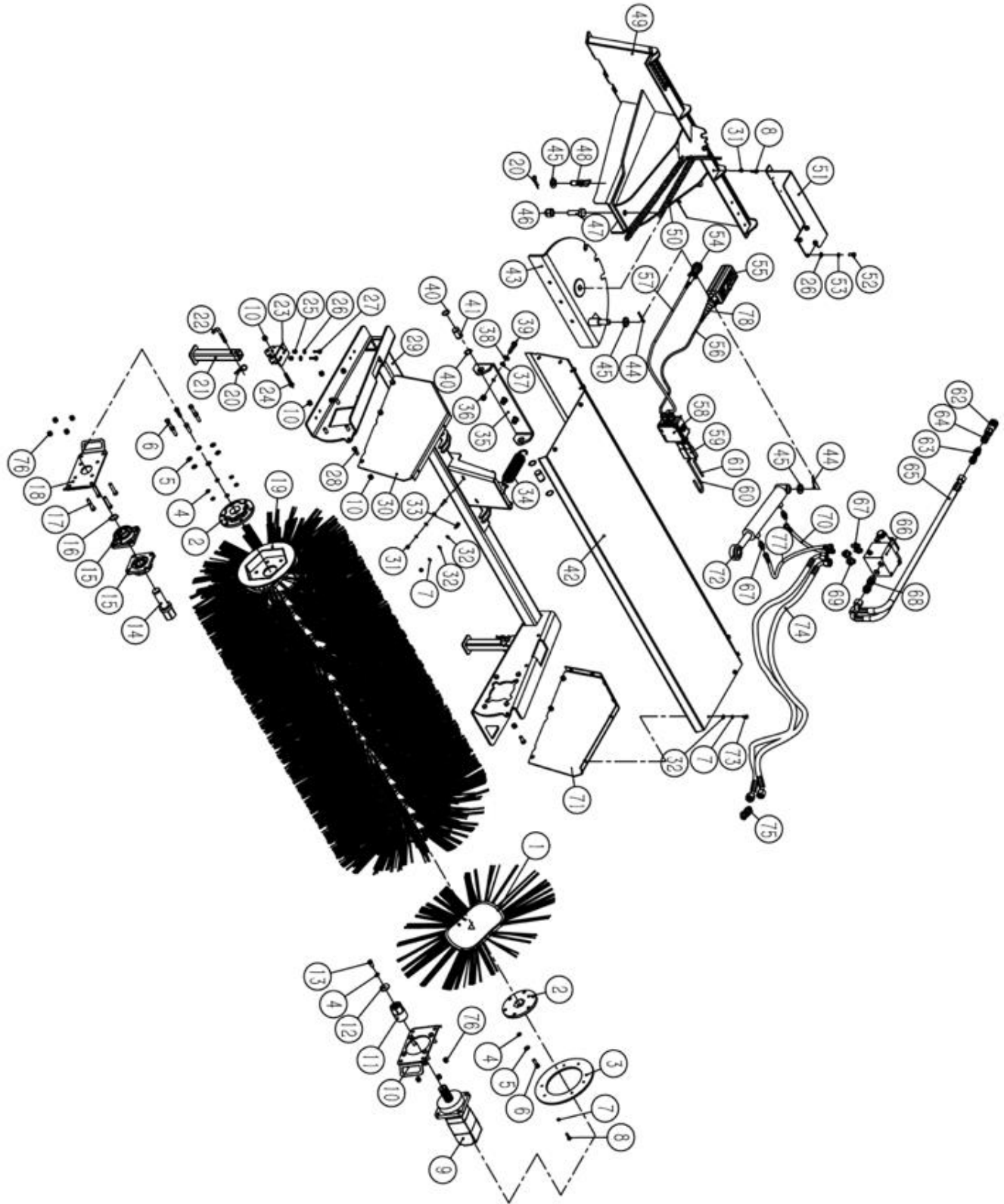
3. Replace bristle as below picture, each bristle as special angle.



ELECTRICAL SCHEMATIC DIAGRAM



PARTS DIAGRAM / EXPLODED VIEW



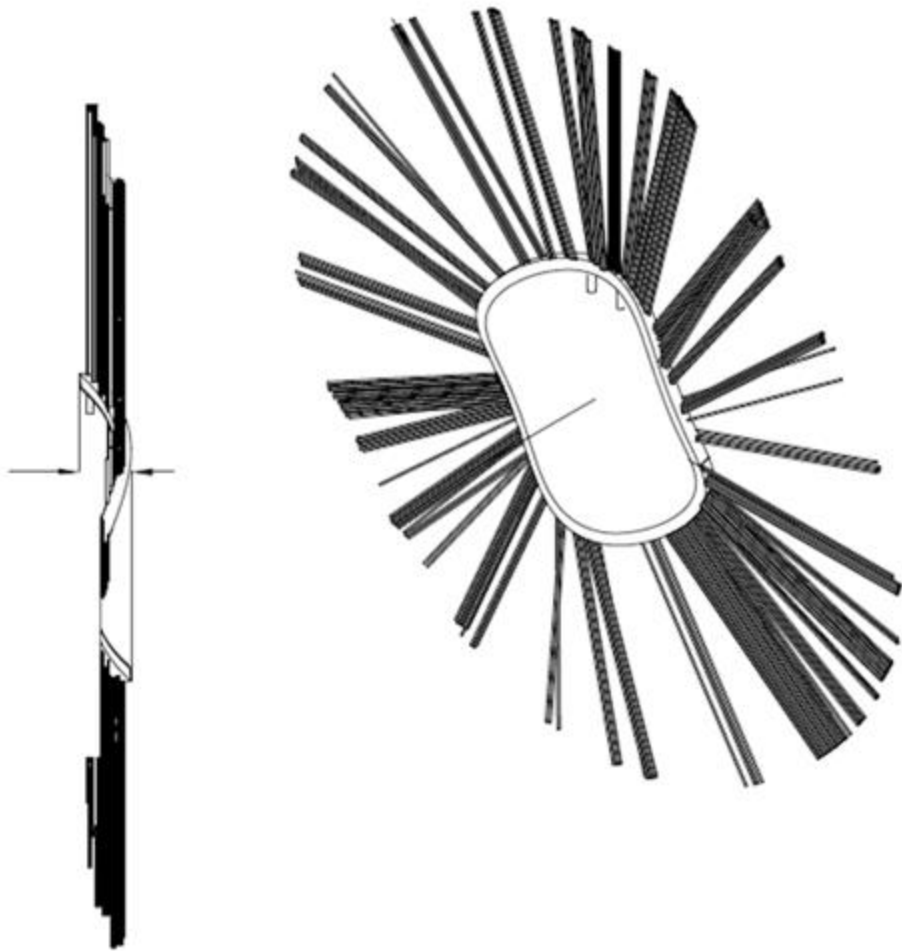
PARTS DIAGRAM / EXPLODED VIEW

KEY	BOX	DESCRIPTION	72"	84"
1	SAB72.2.2	BRISTLE	35	41
2	SAB72.12-02	FIXED PLATE 01	2	2
3	SAB72.2.3	FIXED PLATE 02	1	1
4	GB/T 93	SPRING WASHER 12	13	13
5	GB/T 97.1	WASHER 12	12	12
6	GB/T 5783	BOLT M12*50	12	12
7	GB/T 93	SPRING WASHER 8	20	20
8	GB/T 5783	BOLT M8*30	10	10
9	BMTY-315-4-FD-D-B	HYDRAULIC MOTOR	1	1
10	SAB72.6-01	MOTOR PLATE	1	1
11	SAB72.6-02	SPLINE BUSHING	1	1
12	SAB72.6-03	PRESS PLATE	1	1
13	GB/T 5783	BOLT M12*25	1	1
14	SAB72.25-02	RIGHT ROLLER PIN	1	1
15	TB/T7810	BEARING UCFU207	2	2
16	GB 894.1-86	CIRCLIP 35	1	1
17	GB/T 5783	BOLT M12*60	4	4
18	SAB72.25-1	BEARING SEAT COVER	1	1
19	SAB72.2.1	BRISTLE ASSEMBLY	1	0
19	SAB84.2.1	BRISTLE ASSEMBLY	0	1
20	EFGC125.110	R PIN 3.2	3	3
21	SAB72.11	SUPPORT LEG	2	2
22	1G135.00.107	PIN	2	2
23	SAB72.10	SUPPORT LEG COVER	2	2
24	GB/T 5782	BOLT M12*70	2	2
25	GB/T 889.1	NUT M10	4	4
26	GB/T 97.1	WASHER 10	8	8
27	GB/T 5783	BOLT M10*35	4	4
28	GB/T 5783	BOLT M12*30	6	6
29	SAB72.1	BOTTOM COVER	1	0
29	SAB84.1	BOTTOM COVER	0	1
30	SAB72.4	RIGHT COVER	1	1
31	GB/T 889.1	NUT M8	6	6
32	GB/T 97.1	WASHER 8	16	16
33	GB/T 5783	BOLT M8*25	2	2
34	SAB72.16	SPRING	1	1
35	SAB72.14	SWING PLATE 01	1	1

36	GB/T 889.1	NUT M14	3	3
37	GB/T 93	SPRING WASHER 14	3	3
38	GB/T 97.1	WASHER 14	6	6
39	GB/T 5783	BOLT M14*50	3	3
40	GB 894.1-86	EXTERNAL CIRCLIPS 30	4	4
41	SAB72.15	PIN	2	2
42	SAB72.5	TOP COVER	1	0
42	SAB84.5	TOP COVER	0	1
43	SAB72.7	SWING PLATE 02	1	1
44	GB/T 91-2000	PIN 6.3*50	2	2
45	GB/T 97.1	WASHER 24	3	3
46	GB/T 889.1	NUT M24	1	1
47	GB/T 5782-2000	BOLT M24*70	1	1
48	SAB72.18	PIN SHAFT	1	1
49	SAB72.9	SKID STEER MOUNT PLATE	1	1
50	SAB72.17	CHAIN	1	1
51	SAB72.19	VALVE MOUNT PLATE	1	1
52	GB/T 5783	BOLT M10*25	4	4
53	GB/T 93	SPRING WASHER 10	4	4
54	HD36-18-14SN-059 14	14 PIN ADAPTER	1	1
55	XAC-A2813	BUTTON SWITCH	1	1
56	SAB72.20.3	ELECTRIC CABLE 03	1	1
57	SAB72.20.2	ELECTRIC CABLE 02	1	1
58	WSG37.22.6	JUNCTION BOXES	1	1
59	DT04-2T	2 PIN ADAPTERS	2	2
60	SAB72.20.4	ELECTRIC CABLE 04	1	1
61	SAB72.20.1	ELECTRIC CABLE 01	1	1
62	KIS-PT -G04SP	FLAT FACED COUPLERS G1/2 FEMALE	1	1
63	GE18LRED	END STRAIGHT JOINT G1/2-M27X1.5	2	2
64	KIS-PT -G04SP	FLAT FACED COUPLERS G1/2 MALE	1	1
65	SAB72.13.3	OIL HOSE 01	2	2
66	SAB72.13.2	VALVE BLOCK	1	1
67	GE15LREDDMD	END STRAIGHT JOINT G3/8-M16X1.5	4	4
68	GE18LR34ED	END STRAIGHT JOINT G3/4-M27X1.5	2	2
69	GE18LR34ED	END STRAIGHT JOINT G1/2-M22*1.5	2	2
70	SAB72.13.5	OIL HOSE 03	1	1
71	SAB72.3	LEFT COVER	1	1
72	SAB72.13.1	CYLINDER	1	1

73	GB/T 5783	BOLT M8*20	12	12
74	SAB72.13.4	OIL HOSE 02	2	0
74	SAB84.13.4	OIL HOSE 02	0	2
75	GE18LR34ED	END STRAIGHT JOINT G3/4-M22*1.5	2	2
76	GB/T 889.1	NUT M12	24	24
77	SAB72.13.6	OIL HOSE 04	1	1
78	WSD37.22-5	CABLE CONDUIT	2	2

BRISTLE7PACK PARTS DIAGRAM / EXPLODED VIEW



KEY	BOX	DESCRIPTION	QTY
SAB72.2.2	BRISTLE	SAB72.2.2	7

ACKNOWLEDGEMENT OF RISK AND RELEASE OF LIABILITY

The use of any equipment, including this one, involves the potential risk of injury. Apart from any warranty claim that might be presented for a claimed defect in material or workmanship of the product, you accept and assume full responsibility for any and all injuries, damages (both economic and non-economic), and losses of any type, which may occur, and you fully and forever release and discharge Titan, its insurers, employees, officers, directors, associates, and agents from any and all claims, demands, damages, rights of action, or causes of action, present or future, whether the same be known or unknown, anticipated, or unanticipated, resulting from or arising out of the use of said equipment.

This equipment must be used with care by capable and competent individuals under supervision, if necessary.

WARNING



Do not overfill! Mower should be level when checking oil in gear box.



some activities might be able to cause electric shock



Sharp objects may be involved.
Use protective cover during maintenance.

TITAN LIMITED WARRANTY: TERMS, EXCLUSIONS AND LIMITATIONS OF REMEDIES

This product comes with a one (1) year limited warranty that can be found at www.palletforks.com/warranty.html. Please review the same for all details regarding the Titan Limited Warranty.

THE TITAN LIMITED WARRANTY FOUND AT WWW.PALLETFORKS.COM/WARRANTY.HTML IS EXCLUSIVE AND IS IN LIEU OF ALL OTHER WARRANTIES, EXPRESS OR IMPLIED, INCLUDING ANY IMPLIED WARRANTY OF MERCHANTABILITY AND/OR FITNESS FOR A PARTICULAR PURPOSE, EACH OF WHICH IS HEREBY DISCLAIMED.



NEED HELP? CONTACT US FIRST.

1-800-605-7595

info@palletworks.com
www.palletforks.com

© 2023 Titan Brands