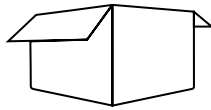




899609 - ALCHAIR

Armless Chair with Cushions
















UNBOXING

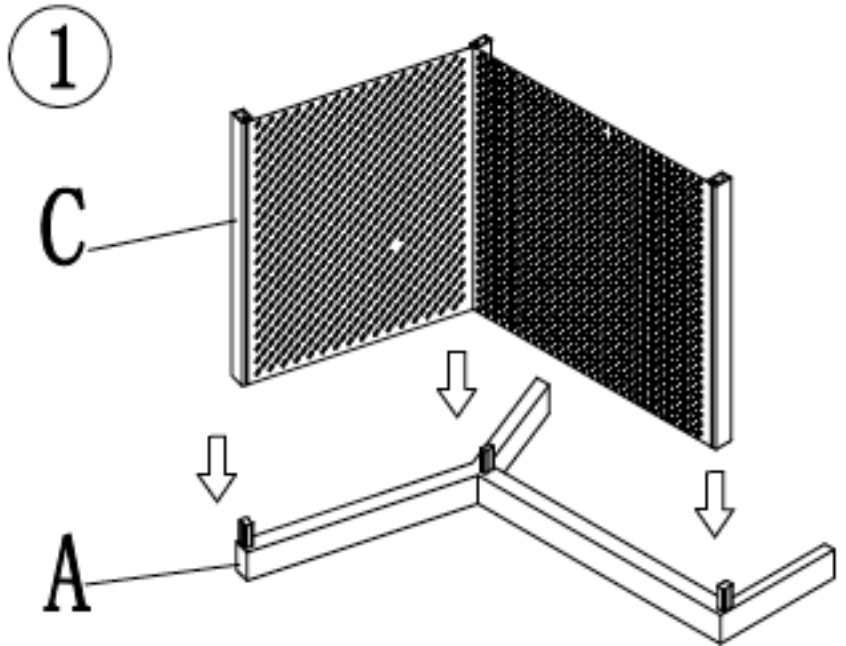
- | | |
|---|--------------------------------|
| A. Left Armrest (1 Pc) | F. M6 x 15 Screw (4 Pc) |
| B. Right Armrest (1 Pc) | G. Spanner (1 Pc) |
| C. Seat with back connector (1 Pc) | H. M6 x 20 Screw (2 Pc) |
| D. Back Cotton Pad 1 Pc) | L. Gaseket (6 Pc) |
| E. Seat Cotton Pad (1 Pc) | |

PARTS

A	 <p>Left armrest 1PC</p>
B	 <p>Right armrest 1PC</p>
C	 <p>Seat with back connector 1PC</p>
D	  <p>Back cotton pad 1PC</p>
E	  <p>Seat cotton pad 1PC</p>
F	 <p>M6*15 screw 4PCS</p>
G	 <p>Spanner 1PC</p>
H	 <p>M6*20 screw 2PCS</p>
L	 <p>Gasket 6PCS</p>

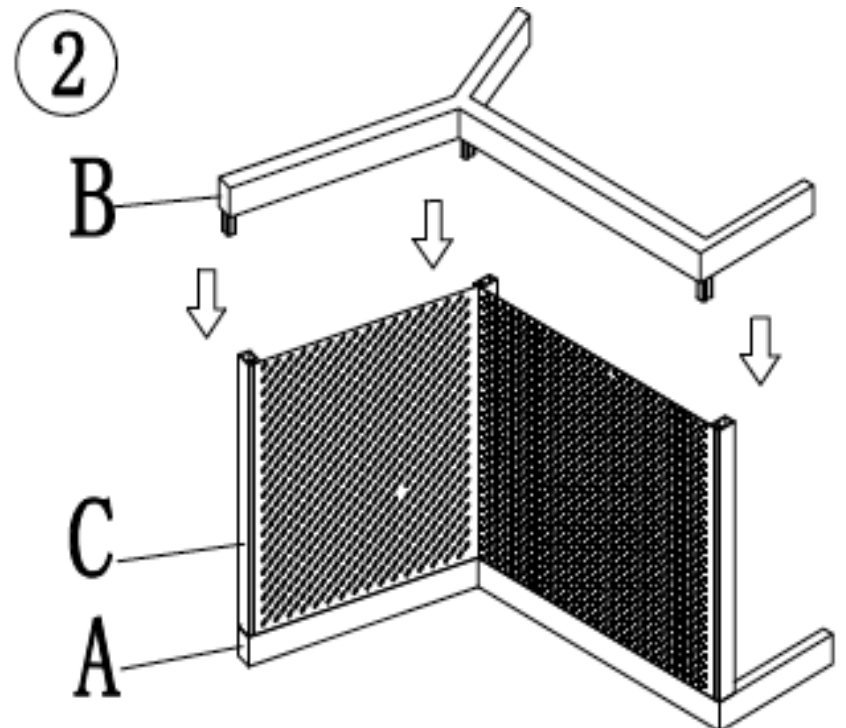
STEP 1

Lay the left armrest A, use the Seat with back connector C to align the armrest three joints tube at the same time. Pay attention to Cloth seat facing forward.



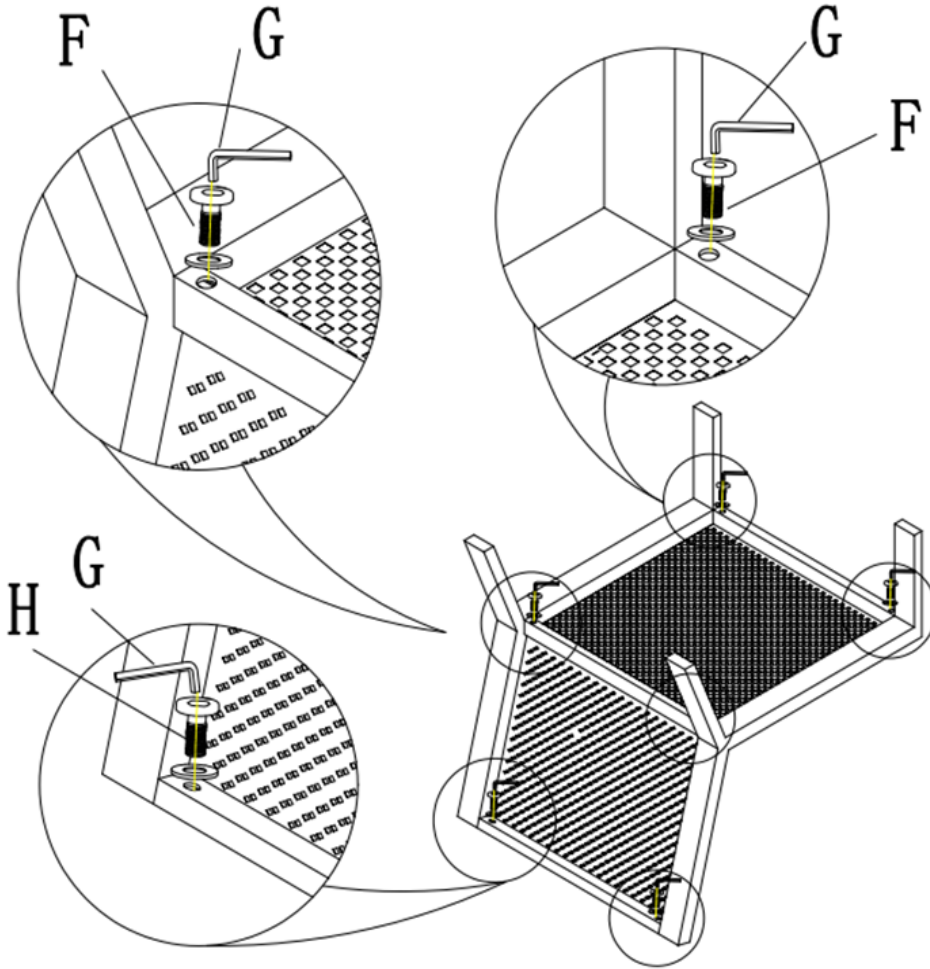
STEP 2

Firstly flatten the seat cloth, Make it parallel to the tube, use Right armrest B to align C three joints tube at the same time.



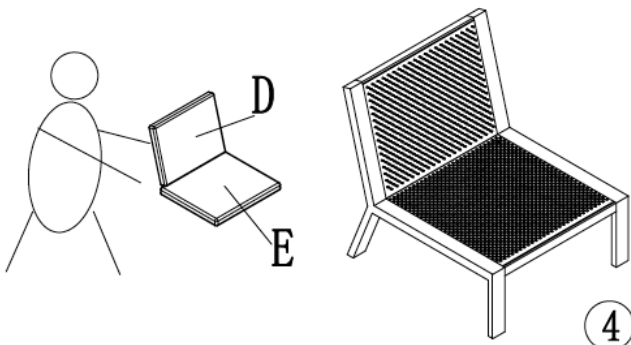
STEP 3

Put down the Chair body, begin to assemble chair bottom, use screw F 4 pcs, plus Gasket L 4pcs. Then begin to assemble back, use screw H 2 pcs, plus Gasket K 2pcs. If you found holes do not fit, Tap the armrest to move it left and right to reach smoothly. After checking that the parts are OK , screw down all screws with a Spanner G.

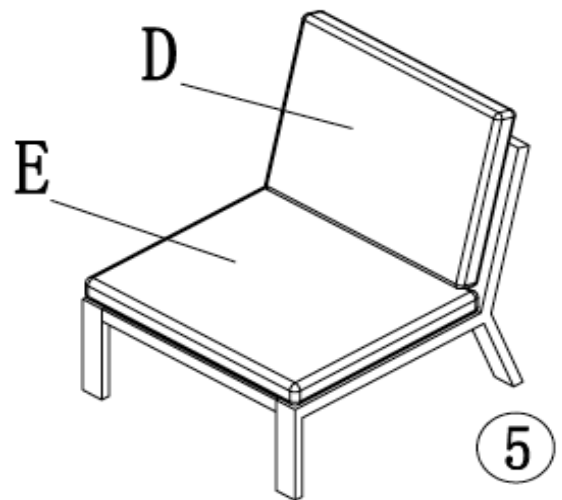


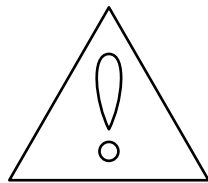
STEP 4

After the whole process is finished, put on the cotton pad D/E. After putting the chair straight, if you find that the four feet are uneven you, you can loose the screw a little, let it flat, and then screw down all screws.



STEP 5





WARNINGS



Heavy object. Use lifting aids and proper lifting techniques when moving.



Sharp objects may be involved. Use precaution and protection.



Choking hazard. Small parts - Please exercise caution if small children or pets are present.

Acknowledgement of Risk & Release of Liability

The use of any equipment, including this one, involves the potential risk of injury. Apart from any warranty claim that might be presented for a claimed defect in material or workmanship of the product, you accept and assume full responsibility for any and all injuries, damages (both economic and non-economic), and losses of any type, which may occur, and you fully and forever release and discharge Titan, its insurers, employees, officers, directors, associates, and agents from any and all claims, demands, damages, rights of action, or causes of action, present or future, whether the same be known or unknown, anticipated, or unanticipated, resulting from or arising out of the use of said equipment. This equipment must be used with care by capable and competent individuals under supervision, if necessary.

Time Limited Warranty: Terms, Exclusions & Limitations of Remedies

This product comes with a one (1) year limited warranty that can be found at www.ashandemberoutdoors.com/warranty.html. Please review the same for all details regarding the Titan Limited Warranty.

THE TITAN LIMITED WARRANTY FOUND AT WWW.TITANGREATOUTDOORS.COM/WARRANTY.HTML IS EXCLUSIVE AND IS IN LIEU OF ALL OTHER WARRANTIES, EXPRESS OR IMPLIED, INCLUDING ANY IMPLIED WARRANTY OF MERCHANTABILITY AND/OR FITNESS FOR A PARTICULAR PURPOSE, EACH OF WHICH IS HEREBY DISCLAIMED.

ASH & EMBER

Need help? Contact us first.

PHONE

1-888-794-1455

EMAIL

info@ashandemberoutdoors.com

ASH & EMBER

www.ashandemberoutdoors.com