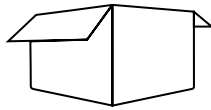




899610 - ALARMCHAIR

## Arm Chair with Cushions















## UNBOXING

- A.** Left Armrest (1 PC)
- B.** Right Armrest (1 PC)
- C.** Chair Plate (1 PC)
- D.** Back Plate 1 PC)
- E.** M6\*40 Screw (1 PC)
- F.** M6\*65 Screw (2 PC)

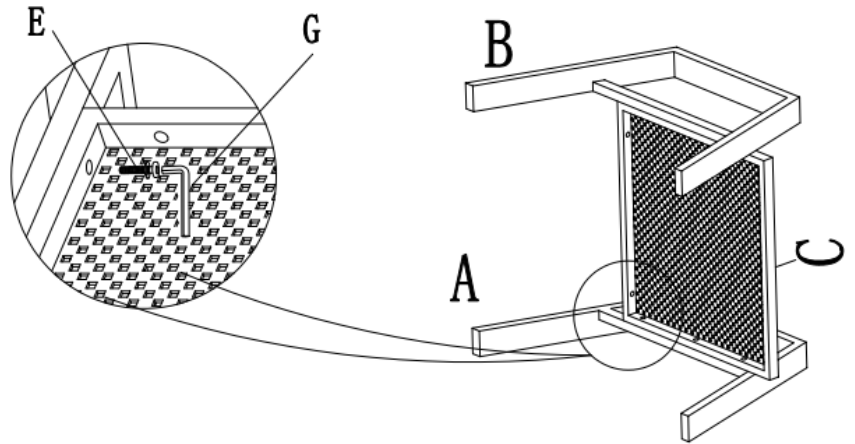
- G.** Spanner (1 PC)
- H.** Back Cotton Pad (1 PC)
- I.** Seat Cotton Pad (1 PC)
- J.** Gasket (10 PC)

PARTS

|   |  |
|---|--|
| A |  <p>Left armrest 1PC</p>      |
| B |  <p>Right armrest 1PC</p>     |
| C |  <p>Chair plate 1PC</p>       |
| D |  <p>Back plate 1PC</p>        |
| E |  <p>M6*40 screw 8PCS</p>      |
| F |  <p>M6*65 screw 2PCS</p>     |
| G |  <p>Spanner 1PC</p>         |
| H |  <p>Back cotton pad 1PC</p> |
| J |  <p>Seat cotton pad 1PC</p> |
| K |  <p>Gasket 10PCS</p>        |

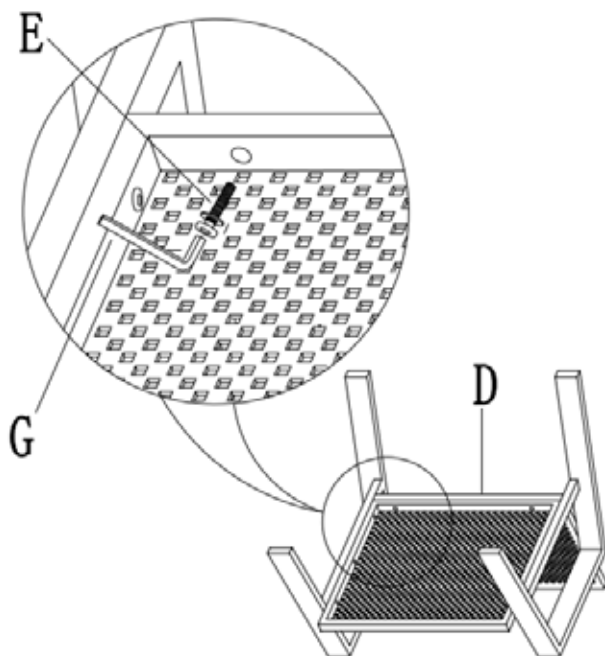
STEP 1

Lay the left armrest A, use the seat plate C, put it in the middle of the other armrest. Pay attention to the seat cloth plate facing up. Registration the hole, connect with screw E 3pcs, plus Gasket K 3pcs in the same way, connect the right armrest B.



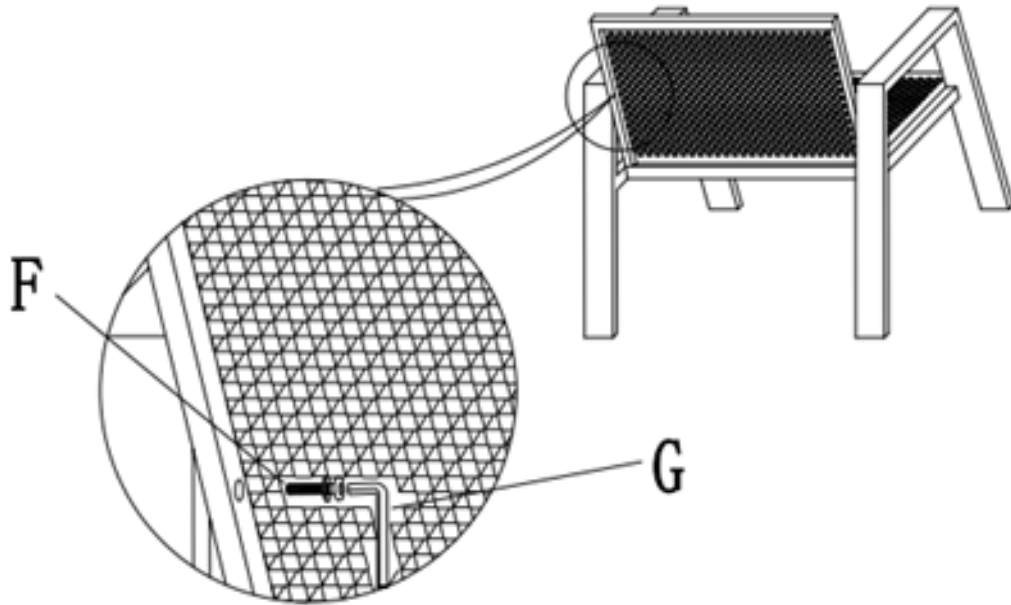
STEP 2

Put down the armrest body, begin to assemble the Back plate D, use screw E 2pcs, plus Gasket K 2pcs, then connect the back with seat.



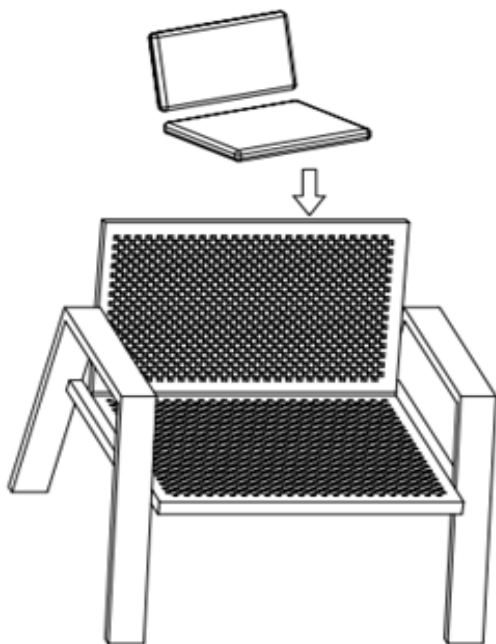
### STEP 3

Put the main body upright, begin to assemble armrest top, use screw F 2pcs, plus Gasket K 2pcs. After checking all parts are OK, screw down all screws with a Spanner G.



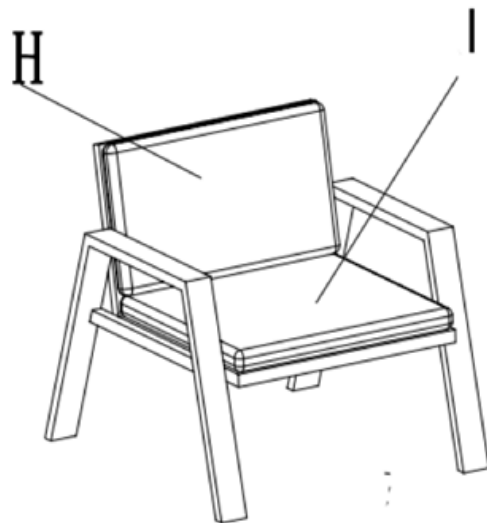
### STEP 4

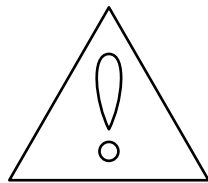
Thus far, your chair should look like the picture below, and proceed to step 5 with placing the cotton pads in the chair.



### STEP 5

After the whole process is finished, put on the cotton pad H/I. After putting the chair straight, if you find that the four feet are uneven you can loosen the screw a little, let it flat, and then screw down all screws.





## WARNINGS



Heavy object. Use lifting aids and proper lifting techniques when moving.



Sharp objects may be involved. Use precaution and protection.



Choking hazard. Small parts - Please exercise caution if small children or pets are present.

## **Acknowledgement of Risk & Release of Liability**

The use of any equipment, including this one, involves the potential risk of injury. Apart from any warranty claim that might be presented for a claimed defect in material or workmanship of the product, you accept and assume full responsibility for any and all injuries, damages (both economic and non-economic), and losses of any type, which may occur, and you fully and forever release and discharge Titan, its insurers, employees, officers, directors, associates, and agents from any and all claims, demands, damages, rights of action, or causes of action, present or future, whether the same be known or unknown, anticipated, or unanticipated, resulting from or arising out of the use of said equipment. This equipment must be used with care by capable and competent individuals under supervision, if necessary.

## **Time Limited Warranty: Terms, Exclusions & Limitations of Remedies**

This product comes with a one (1) year limited warranty that can be found at [www.ashandemberoutdoors.com/warranty.html](http://www.ashandemberoutdoors.com/warranty.html). Please review the same for all details regarding the Titan Limited Warranty.

THE TITAN LIMITED WARRANTY FOUND AT [WWW.TITANGREATOUTDOORS.COM/WARRANTY.HTML](http://WWW.TITANGREATOUTDOORS.COM/WARRANTY.HTML) IS EXCLUSIVE AND IS IN LIEU OF ALL OTHER WARRANTIES, EXPRESS OR IMPLIED, INCLUDING ANY IMPLIED WARRANTY OF MERCHANTABILITY AND/OR FITNESS FOR A PARTICULAR PURPOSE, EACH OF WHICH IS HEREBY DISCLAIMED.

# ASH & EMBER

---

Need help? Contact us first.

PHONE

1-888-794-1455

EMAIL

[info@ashandemberoutdoors.com](mailto:info@ashandemberoutdoors.com)

ASH & EMBER

[www.ashandemberoutdoors.com](http://www.ashandemberoutdoors.com)