

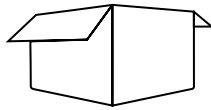


899611 - PRCHSWNG

Patio Hanging Chair with Stand

Charcoal Stand with Grey Cushions


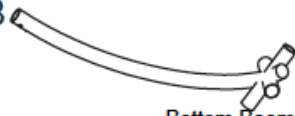




















UNBOXING

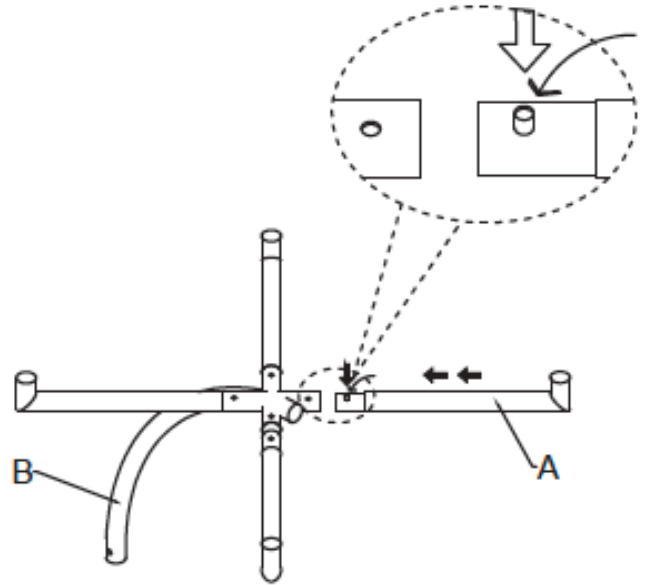
- A.** Foot Tube (4 Pc)
- B.** Bottom Boom (1 Pc)
- C.** Middle Boom (1 Pc)
- D.** Top Boom (1 Pc)
- E.** Hanging Frame (1 Pc)
- F.** Chain (1 Pc)
- G.** Stud (1 Pc)
- H.** Tension Spring (1 Pc)
- I.** Protective Case (2Pc)
- J.** Safety Rope (1pc)
- K.** Grey Cotton Pad (1pc)
- L.** Pillow (1pc)
- M.** M8x55 mm Screw + nut (2pc)
- N.** M6x35mm Screws + gaskets (4pc)
- O.** M8 Spanner (1pc)
- P.** M6 Spanner (1 pc)
- Q.** M8 Open Spanner (1pc)
- R.** D-Connection Buckle (1pc)

PARTS

<p>A</p>  <p>Foot tube x4</p>	<p>B</p>  <p>Bottom Boom x1</p>
<p>C</p>  <p>Middle Boom x1</p>	<p>D</p>  <p>Top Boom x1</p>
<p>E</p>  <p>Hanging frame x1</p>	<p>F</p>  <p>chain x1</p>
<p>G</p>  <p>Stud x1</p>	<p>H</p>  <p>tension spring x1</p>
<p>I</p>  <p>Protective case x2</p>	<p>J</p>  <p>Safety rope x1</p>
<p>K</p>  <p>Grey Cotton pad x1</p>	<p>L</p>  <p>pillow x1</p>
<p>M</p>  <p>M8x55mm Screw + nut x2</p>	<p>N</p>  <p>M6x35mm Screws + gaskets x4</p>
<p>O</p>  <p>M8 M8 Spanner x1</p>	<p>P</p>  <p>M6 M6 Spanner x1</p>
<p>Q</p>  <p>M8 open spanner x1</p>	<p>R</p>  <p>D-Connection buckle x1</p>

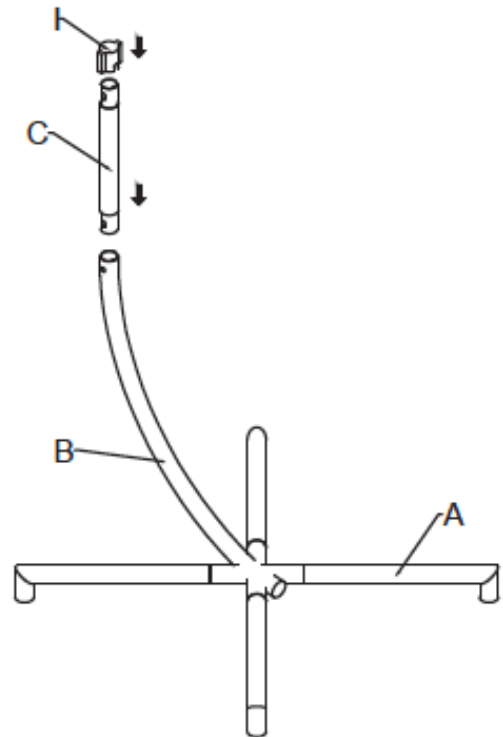
STEP 1

Put down Bottom Boom B, take Foot tube A, and insert it into the B, press down the buckle, then Align the hole so that it can bounce out. Same as other 3 feet.



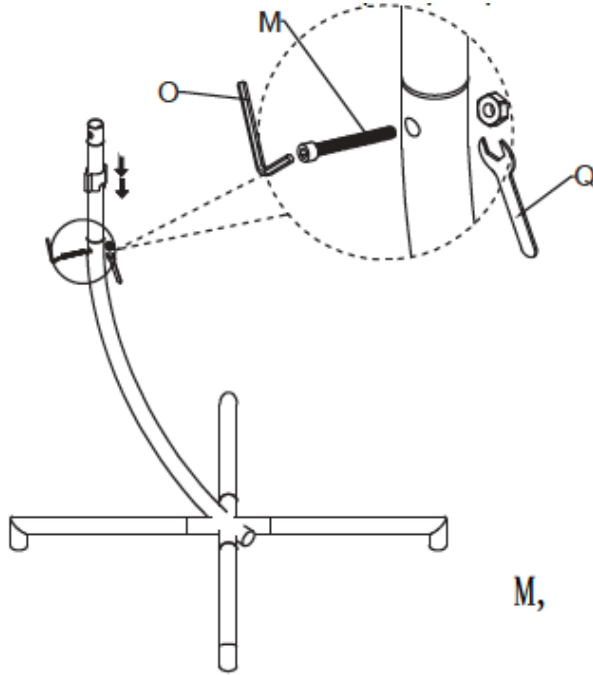
STEP 2

Flat the base of boom, then assemble Middle Boom C



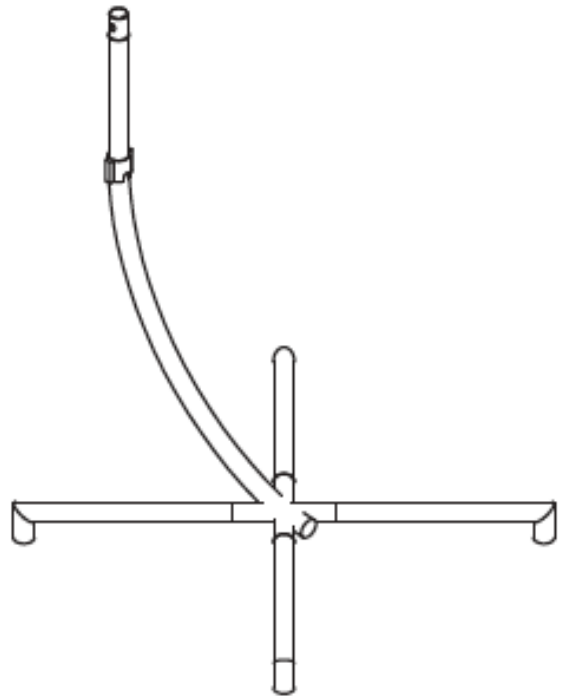
STEP 3

Screw up the boom, with screw kit M plus open spanner Q + M8 Spanner O



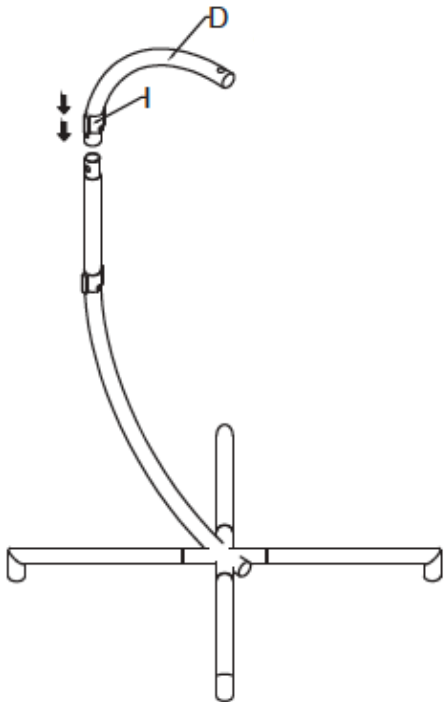
STEP 4

Set up Protective Case I



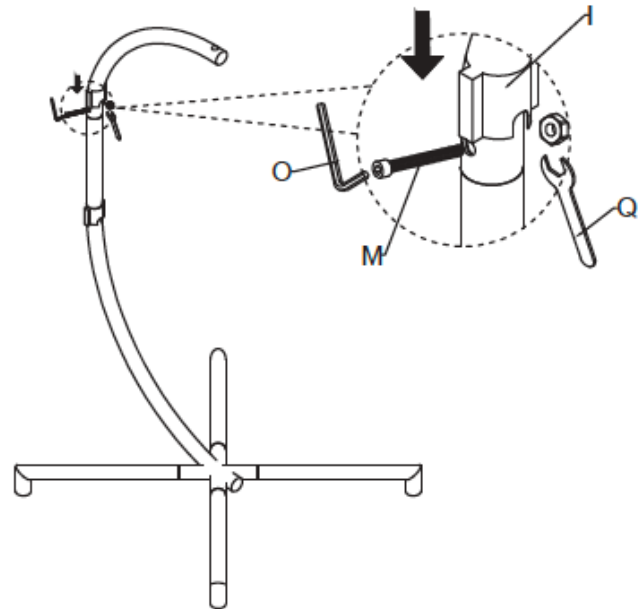
STEP 5

Take the Top Boom D, and put it into the base. Pay attention to put on the screw protective case.

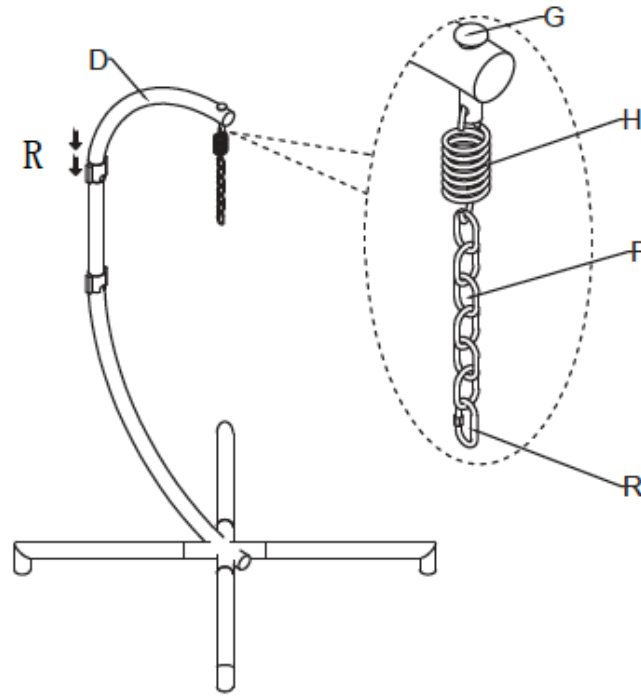


STEP 6

Screw up the boom, with screw kit M plus open spanner Q + M8 Spanner O

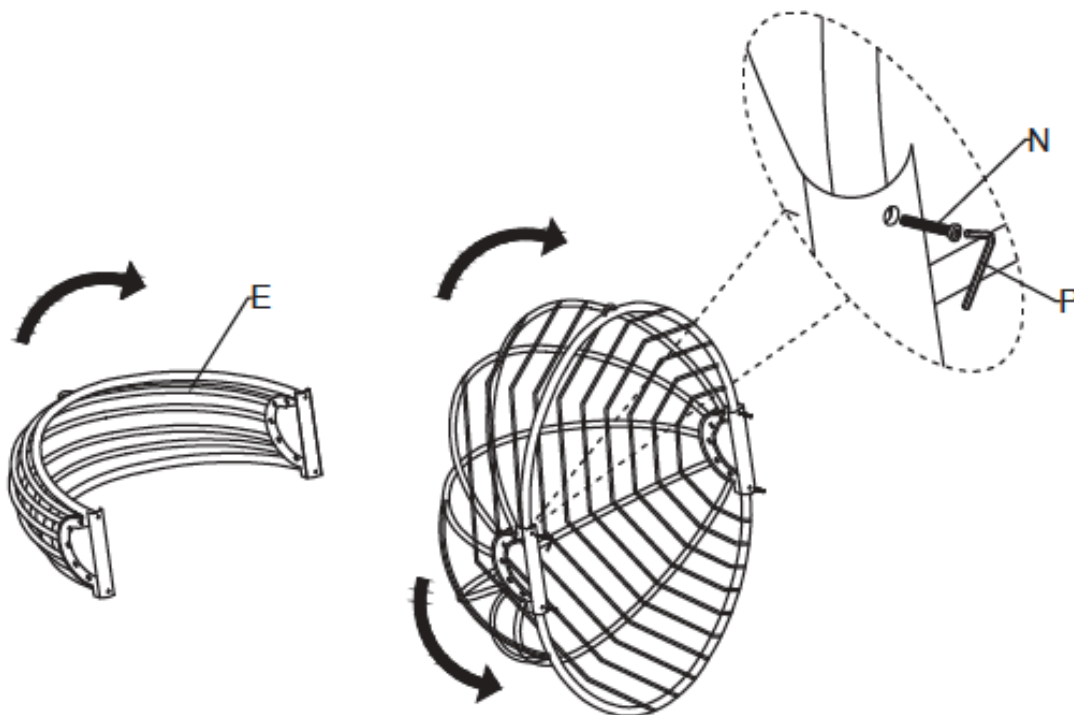


STEP 7 - Put on Stud G, and Hang tension spring H+ chain F+D-Connection buckle.



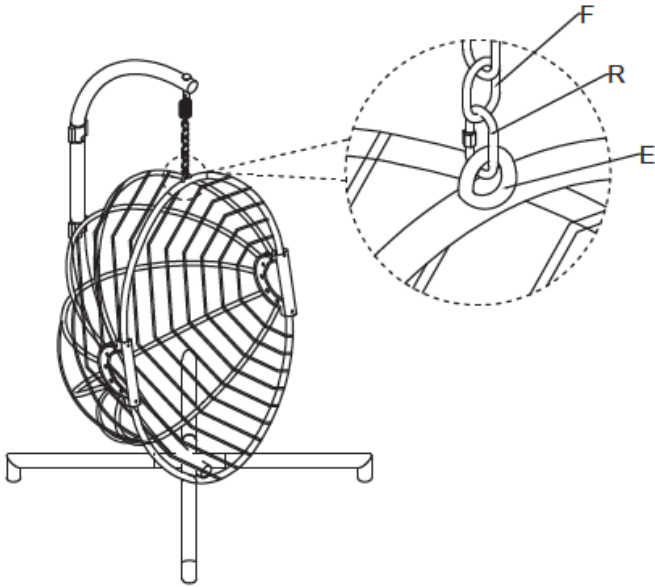
STEP 8

Open the Hanging frame E, use screws and gasket N to lock the handrail position and let it be fixed. 4 screws per side.



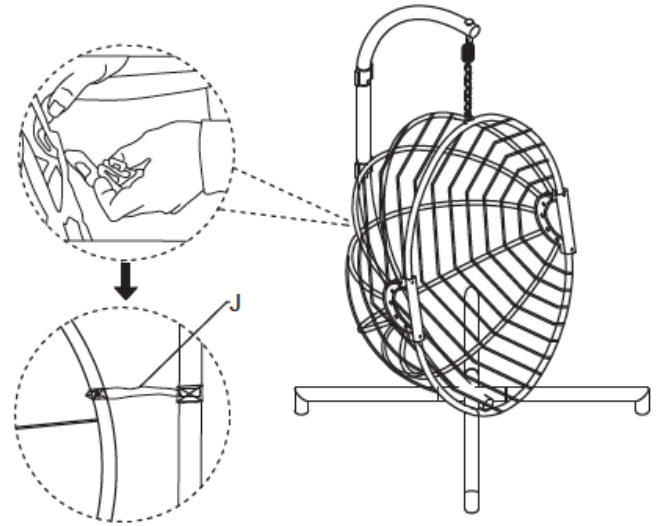
STEP 9

Open the D button, align it with circle at the top of basket and lock it. Then adjust the chain according to own height



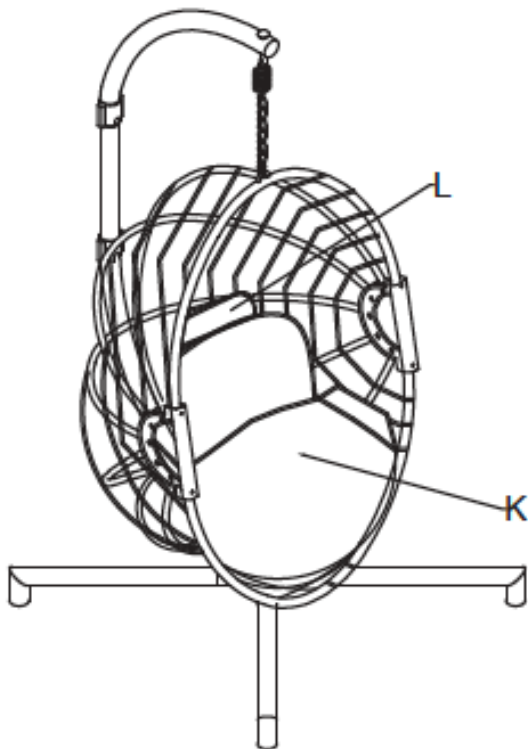
STEP 10

Fasten up safety rope J and adjust the length according to your specific situation



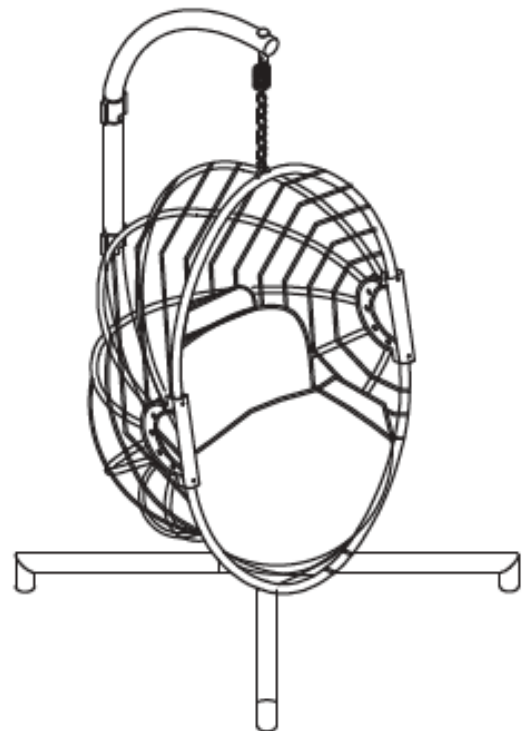
STEP 11

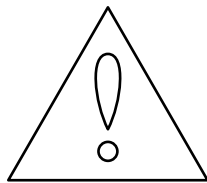
Put on Grey Cotton pad K



STEP 12

Attach small pillow L and adjust its height according to your actual situation





WARNINGS



Heavy object. Use lifting aids and proper lifting techniques when moving.



Sharp objects may be involved. Use precaution and protection.



Choking hazard. Small parts - Please exercise caution if small children or pets are present.

Acknowledgement of Risk & Release of Liability

The use of any equipment, including this one, involves the potential risk of injury. Apart from any warranty claim that might be presented for a claimed defect in material or workmanship of the product, you accept and assume full responsibility for any and all injuries, damages (both economic and non-economic), and losses of any type, which may occur, and you fully and forever release and discharge Titan, its insurers, employees, officers, directors, associates, and agents from any and all claims, demands, damages, rights of action, or causes of action, present or future, whether the same be known or unknown, anticipated, or unanticipated, resulting from or arising out of the use of said equipment. This equipment must be used with care by capable and competent individuals under supervision, if necessary.

Time Limited Warranty: Terms, Exclusions & Limitations of Remedies

This product comes with a one (1) year limited warranty that can be found at www.ashandemberoutdoors.com/warranty.html. Please review the same for all details regarding the Titan Limited Warranty.

THE TITAN LIMITED WARRANTY FOUND AT WWW.TITANGREATOUTDOORS.COM/WARRANTY.HTML IS EXCLUSIVE AND IS IN LIEU OF ALL OTHER WARRANTIES, EXPRESS OR IMPLIED, INCLUDING ANY IMPLIED WARRANTY OF MERCHANTABILITY AND/OR FITNESS FOR A PARTICULAR PURPOSE, EACH OF WHICH IS HEREBY DISCLAIMED.

ASH & EMBER

Need help? Contact us first.

PHONE

1-888-794-1455

EMAIL

info@ashandemberoutdoors.com

ASH & EMBER

www.ashandemberoutdoors.com