

# LW FORKLIFT PLATFORM SAFETY CAGE

---

**LWP10**

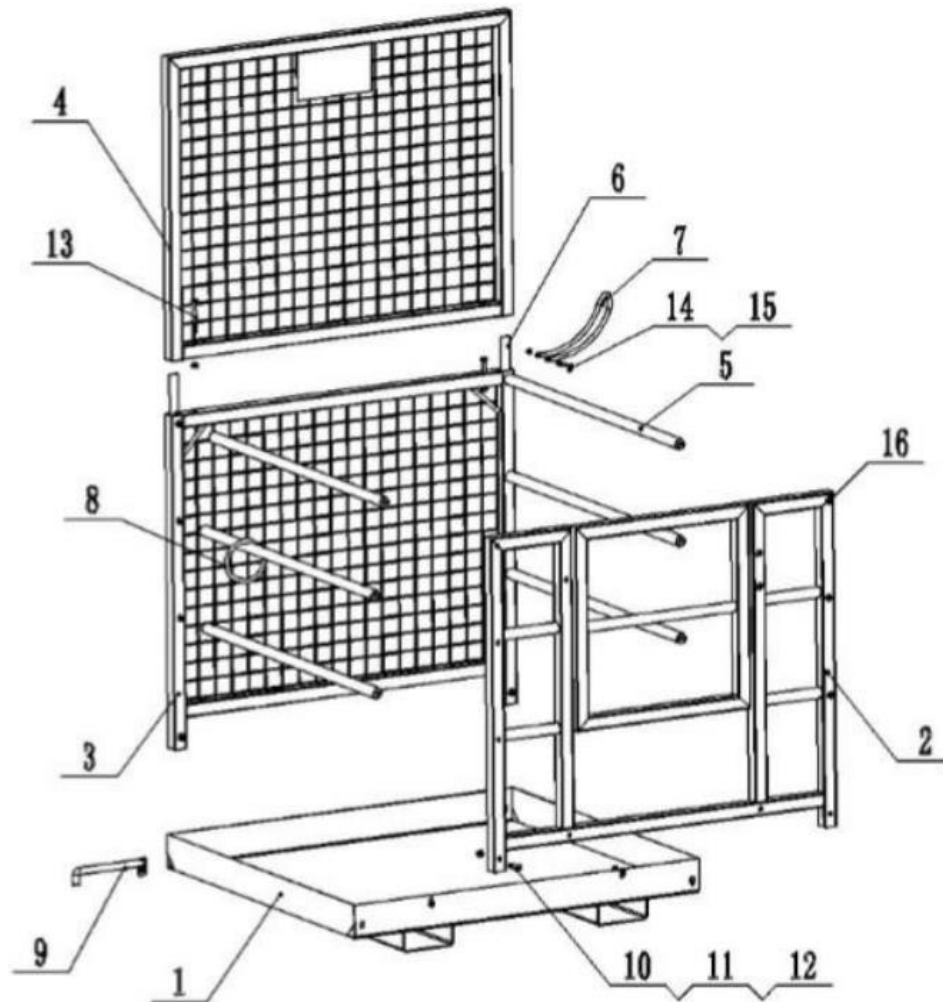
**194132**



## **Operator's Manual**

Read the Operator's Manual entirely. When you see this symbol, the subsequent instructions and warnings are serious follow without exception. Your life and the lives of others depend on it!

**PARTS DIAGRAM / EXPLODED VIEW**

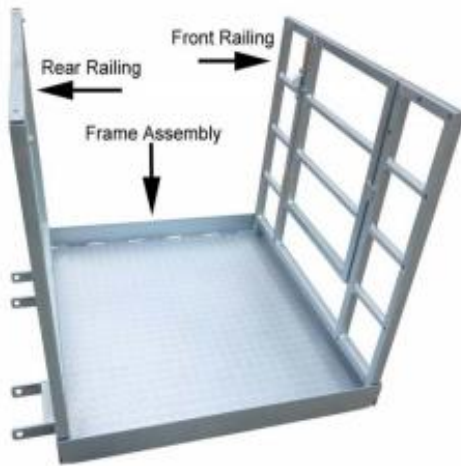


KEY	DESCRIPTION	QTY	KEY	DESCRIPTION	QTY
(1)	FRAME ASSEMBLY	x1	(9)	SAFETY PINS	x2
(2)	FRONT RAILING	x1	(10)	BOLT M10x60	x6
(3)	REAR RAILING	x1	(11)	FLAT WASHER $\Phi$ 10	x8
(4)	MESH SAFETY SCREEN	x1	(12)	NUT M10	x8
(5)	SIDE RAILING	x6	(13)	BOLT M10x90	x2
(6)	CONNECTOR	x2	(14)	BOLT M8x75	x1
(7)	DOOR LOCK	x1	(15)	NUT M8	x1
(8)	SAFETY RING	x1	(16)	BOLT M10x55	x12

## ASSEMBLY INSTRUCTIONS

---

### Step 1:



Place the Front Railing and Rear Railing on the appropriate corner of the Frame Assembly, loosely secure in place with the included hardware, do not fully tighten at this time.

---

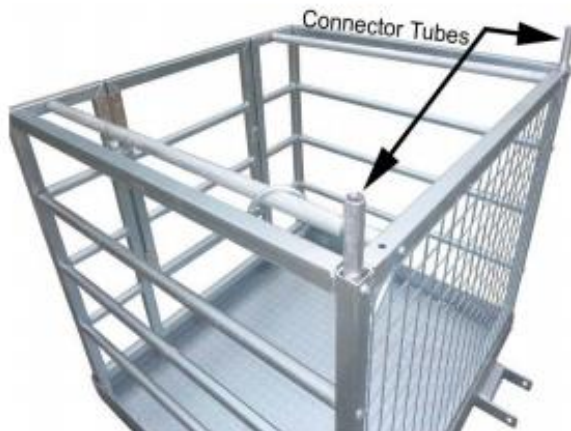
### Step 2:



Assemble the Right Side Railing and Left Side Railing onto the Front Railing and loosely bolt in place. Line up the holes with the mating holes of the Rear Railing and loosely bolt in place utilizing the lower hole only.

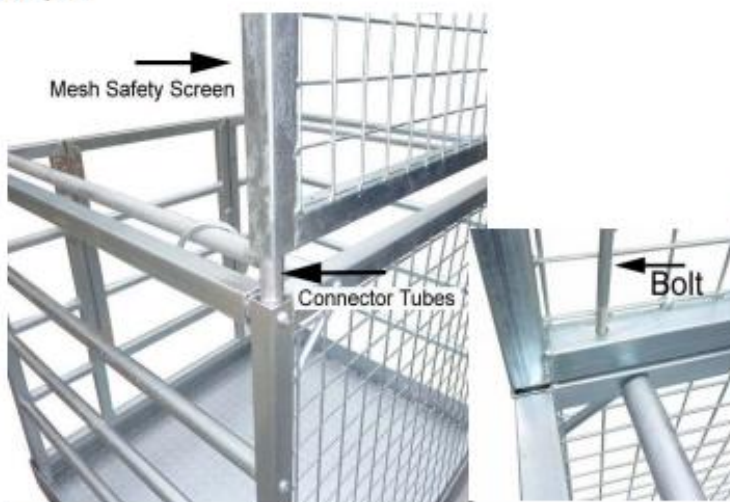
---

### Step 3:



Place the Connector Tubes into each of the Rear Railing posts as shown, hold in place by bolting through the appropriate side railing, the rear railing corner posts and the connector tubes.

Step 4:



Set the Mesh Safety Screen on the Connector Tubes and bolt in place. At this time, tighten all of the fasteners on the forklift cage.

Step 5:

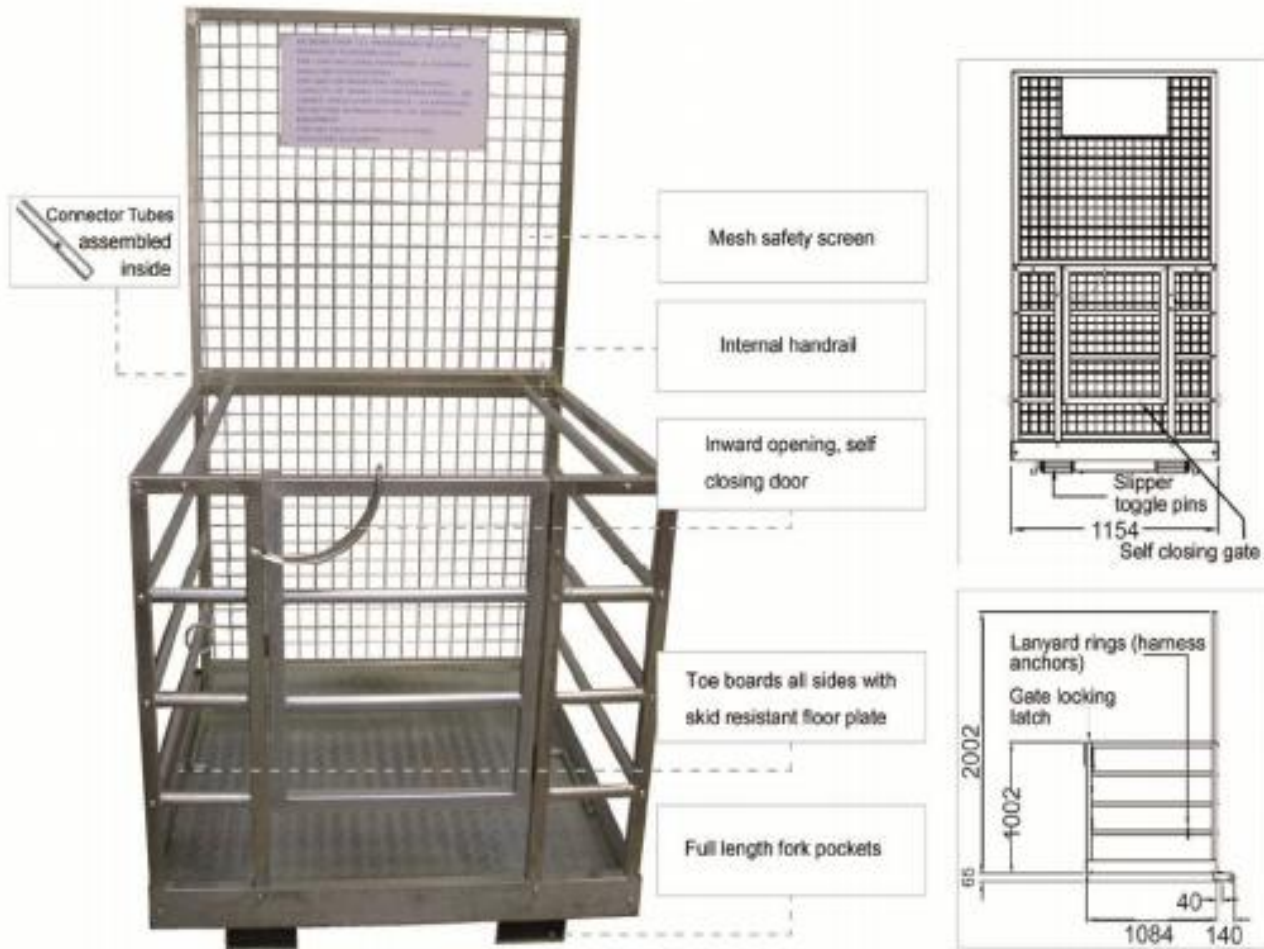


Assemble the lock in position.

## DESCRIPTION AND CAPACITY

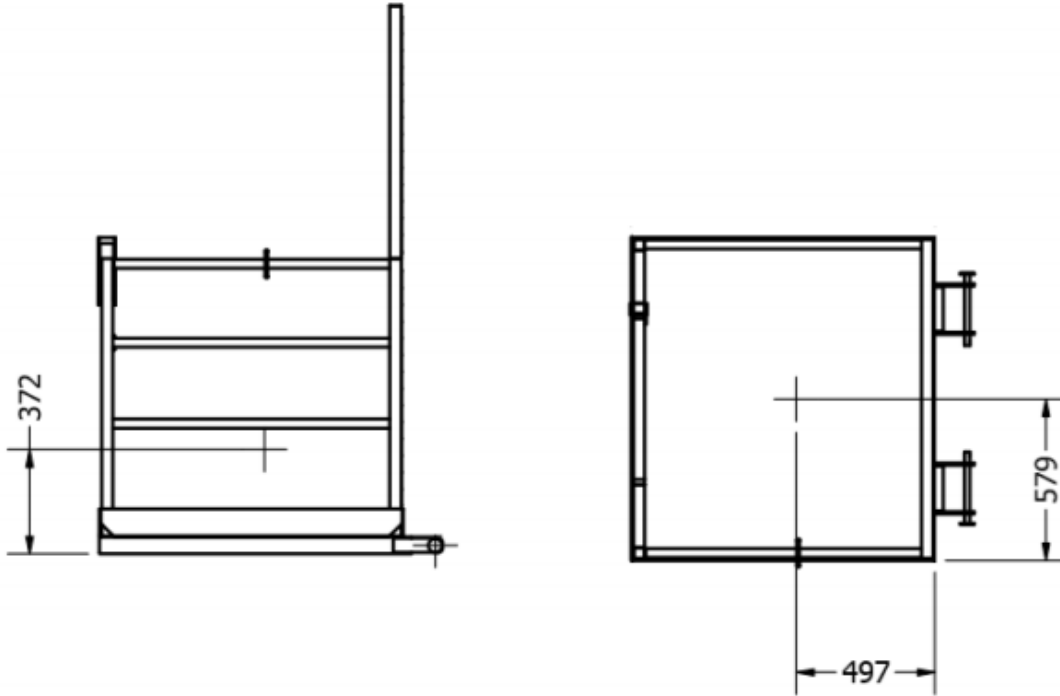
### Features include:

- Designed to carry 2 persons (250kg max)
- Supplied as flat pack for easy storage and transport



## LOAD CAPACITY DIMENSIONS

---



The horizontal center of gravity is 579 mm (22.8-in.), the vertical center of gravity is 372 mm (14.65-in.), and the load center is 497 mm (19.57-in.).

## ACKNOWLEDGEMENT OF RISK AND RELEASE OF LIABILITY

---

The use of any equipment, including this one, involves the potential risk of injury. Apart from any warranty claim that might be presented for a claimed defect in material or workmanship of the product, you accept and assume full responsibility for any and all injuries, damages (both economic and non-economic), and losses of any type, which may occur, and you fully and forever release and discharge Titan, its insurers, employees, officers, directors, associates, and agents from any and all claims, demands, damages, rights of action, or causes of action, present or future, whether the same be known or unknown, anticipated, or unanticipated, resulting from or arising out of the use of said equipment.

This equipment must be used with care by capable and competent individuals under supervision, if necessary.

## WARNING

---



**Do not overfill!** Mower should be level when checking oil in gear box.



some activities might be able to cause electric shock



Sharp objects may be involved.  
Use protective cover during maintenance.

## TITAN LIMITED WARRANTY: TERMS, EXCLUSIONS AND LIMITATIONS OF REMEDIES

---

This product comes with a one (1) year limited warranty that can be found at [www.palletforks.com/warranty.html](http://www.palletforks.com/warranty.html). Please review the same for all details regarding the Titan Limited Warranty.

**THE TITAN LIMITED WARRANTY FOUND AT [WWW.PALLETFORKS.COM/WARRANTY.HTML](http://WWW.PALLETFORKS.COM/WARRANTY.HTML) IS EXCLUSIVE AND IS IN LIEU OF ALL OTHER WARRANTIES, EXPRESS OR IMPLIED, INCLUDING ANY IMPLIED WARRANTY OF MERCHANTABILITY AND/OR FITNESS FOR A PARTICULAR PURPOSE, EACH OF WHICH IS HEREBY DISCLAIMED.**



**NEED HELP? CONTACT US FIRST.**

**1-800-605-7595**

[info@palletworks.com](mailto:info@palletworks.com)  
[www.palletforks.com](http://www.palletforks.com)

© 2023 Titan Brands