

T-2 SERIES POWER RACK

T2RACK71_BK

401835

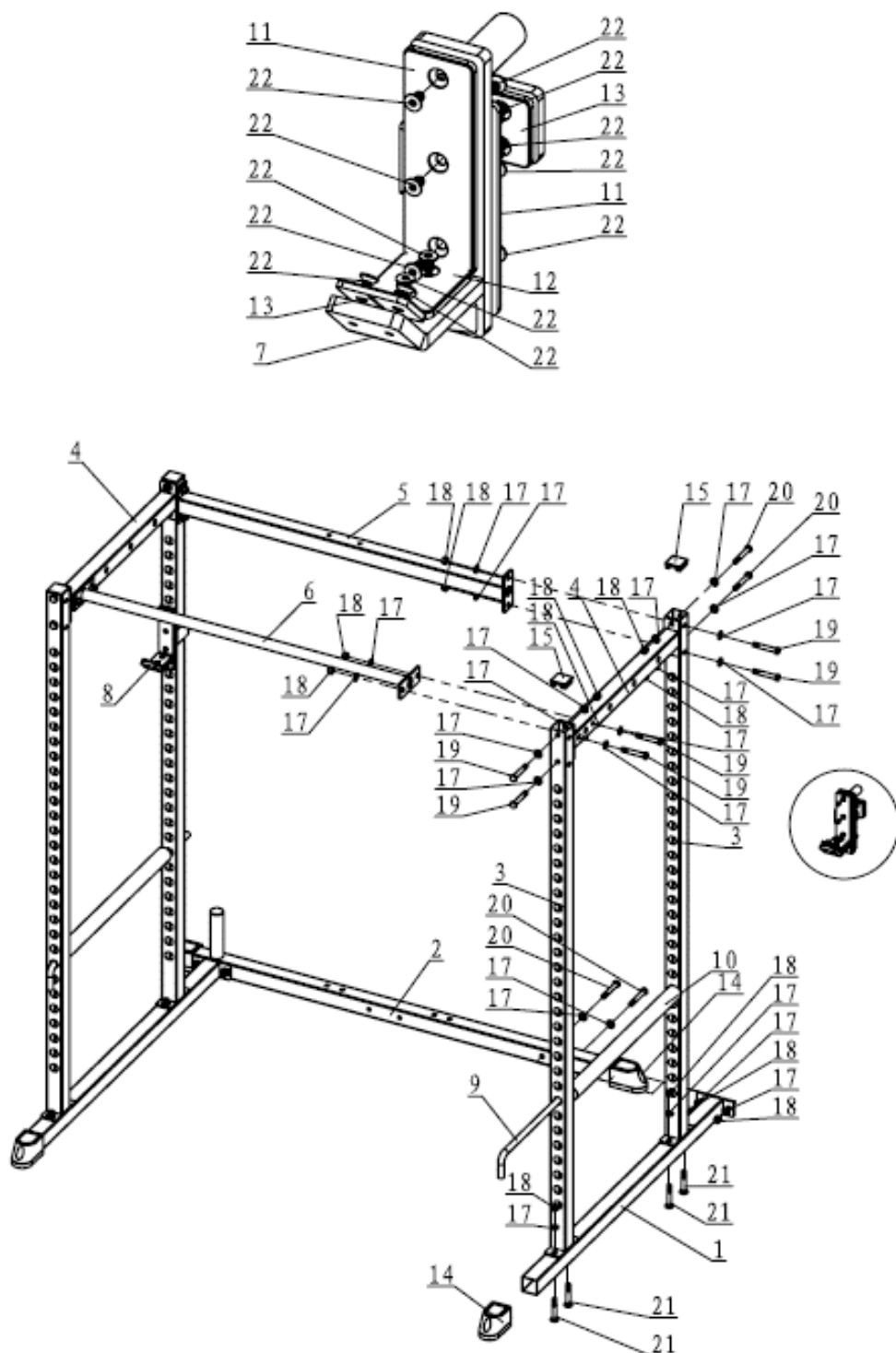


Operator's Manual



Read the Operator's Manual entirely. When you see this symbol, the subsequent instructions and warnings are serious follow without exception. Your life and the lives of others depend on it!

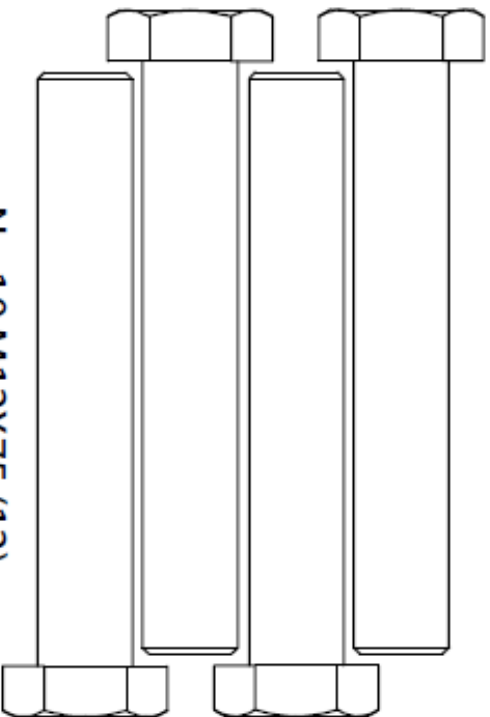
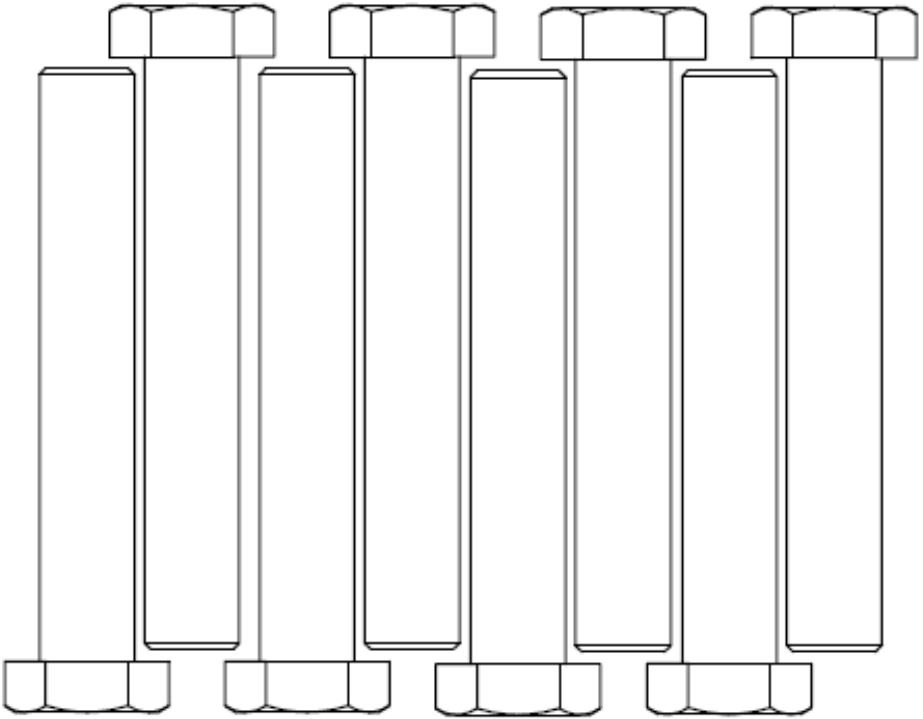
FULL ASSEMBLY/EXPLODED VIEW/ FULL PARTS LIST



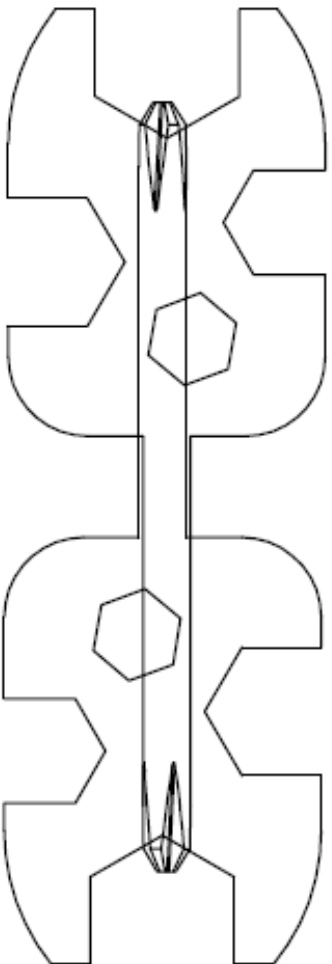
FULL ASSEMBLY/EXPLODED VIEW/ FULL PARTS LIST

KEY	BOX	DESCRIPTION	QTY
(1)	1	BASE FRAME	2
(2)	1	REAR BASE FRAME	1
(3)	1	UPRIGHT FRAME	4
(4)	1	UPPER CONNECTING FRAME	2
(5)	1	CONNECTING FRAME	1
(6)	1	PULL UP BAR	1
(7)	1	J-HOOK(L)	1
(8)	1	J-HOOK(R)	1
(9)	1	SAFETY BAR $\Phi 18*912$	2
(10)	1	OUTER PROTECTIVE PIPE $\Phi 45*2*640$	2
(11)	1	LONG PLASTIC PLATE	4
(12)	1	SHORT PLASTIC PLATE 58*48*5	2
(13)	1	FRONT PLASTIC PLATE 48*40*5	4
(14)	1	HORSESHOE SLEEVE 50*50	4
(15)	1	END CAP 50*50*2	4
(16)	1	END CAP $\Phi 38*2$	2
(17)	1	FLAT WASHER $\Phi 13.5*\Phi 24*2.5$	48
(18)	1	M12 NUT	28
(19)	1	HEX BOLT M12*75	12
(20)	1	HEX BOLT M12*80	8
(21)	1	CARRIAGE BOLT M12*70	8
(22)	1	SCREW M6*10	24

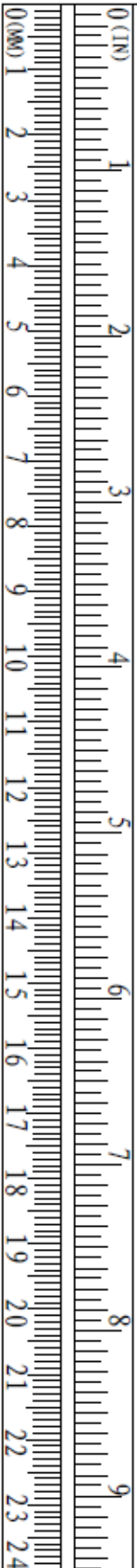
HARDWARE PACK (1/3)



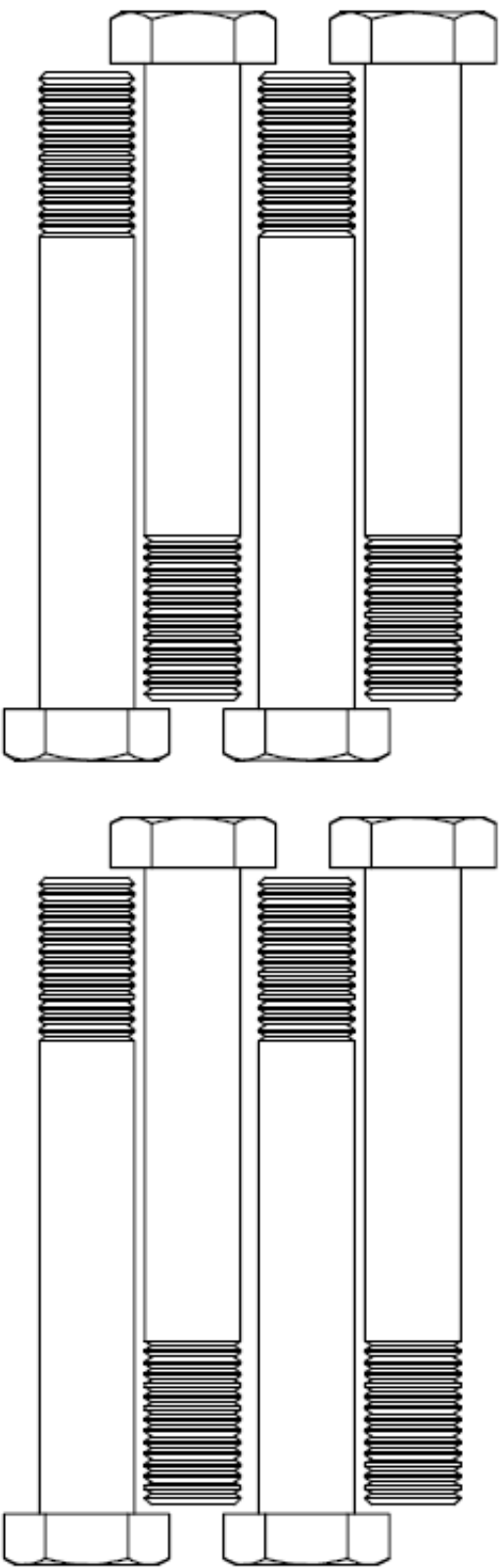
No.19 M12X75 (12)



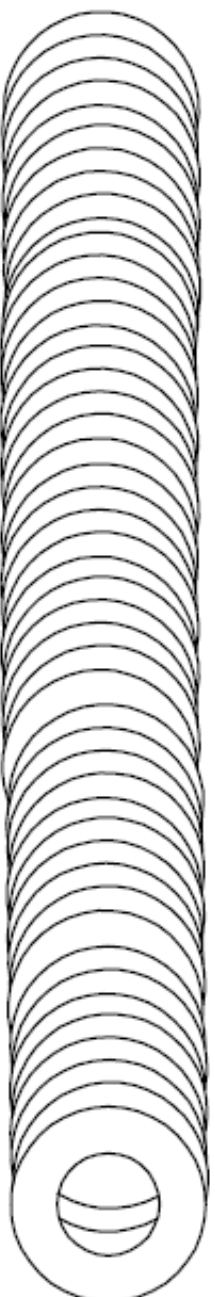
Universal Wrench(2)



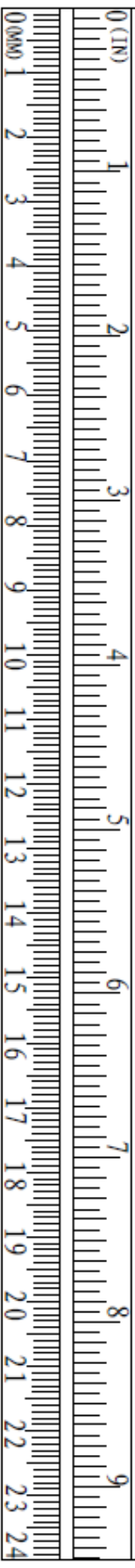
HARDWARE PACK (2/3)



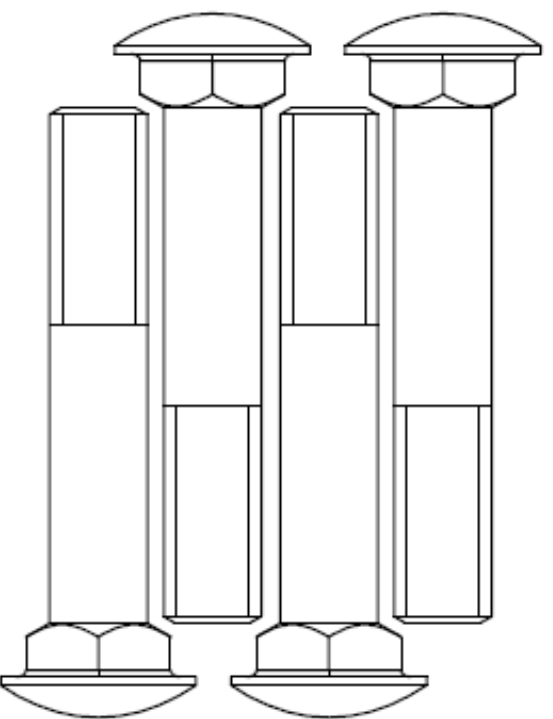
No.20 M12X80 (8)



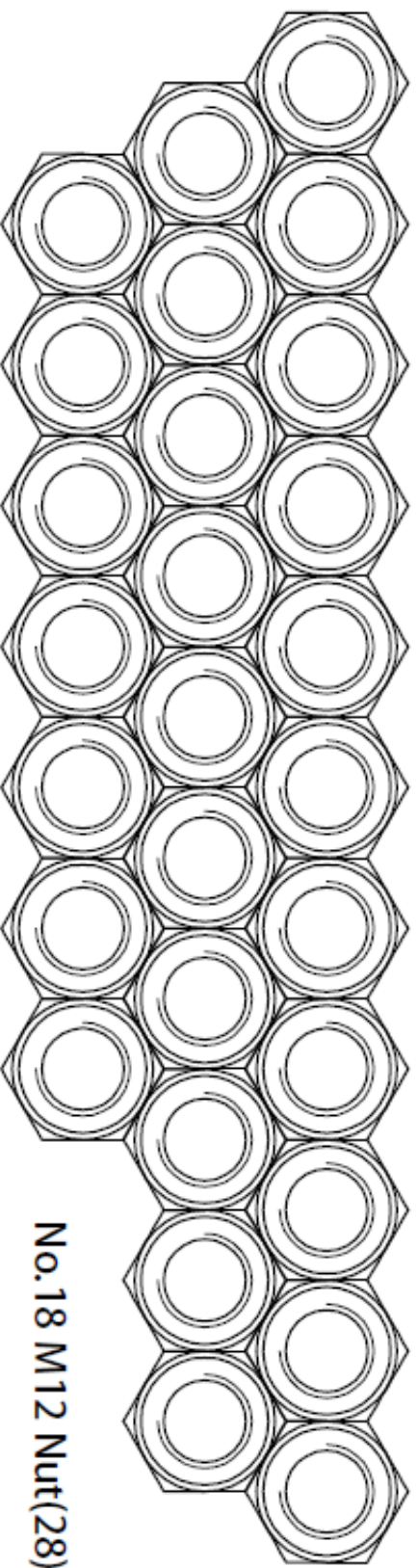
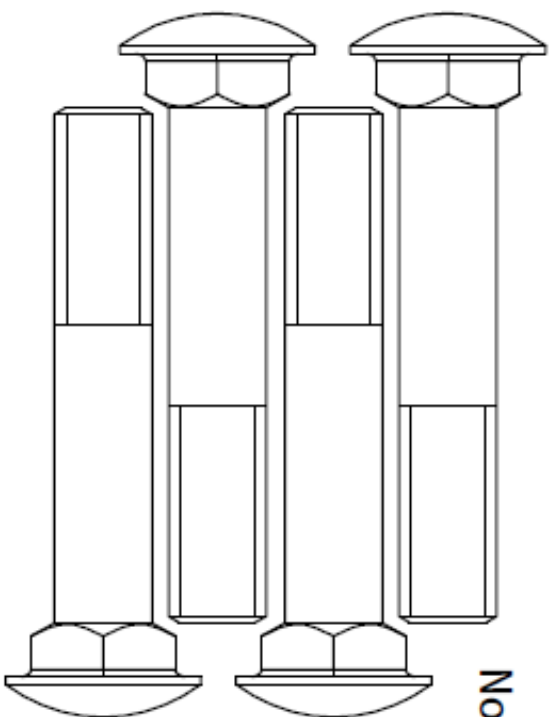
No.17 φ12 Washer(48)



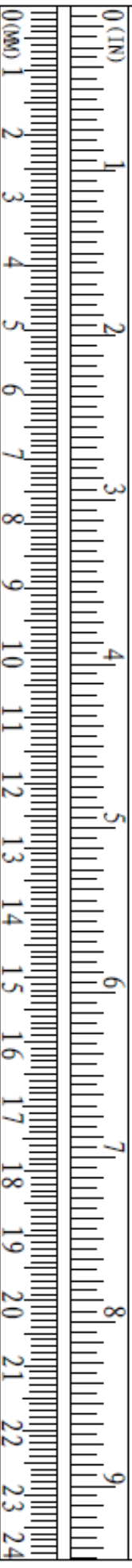
HARDWARE PACK (3/3)



No.21 M12X70 (8)



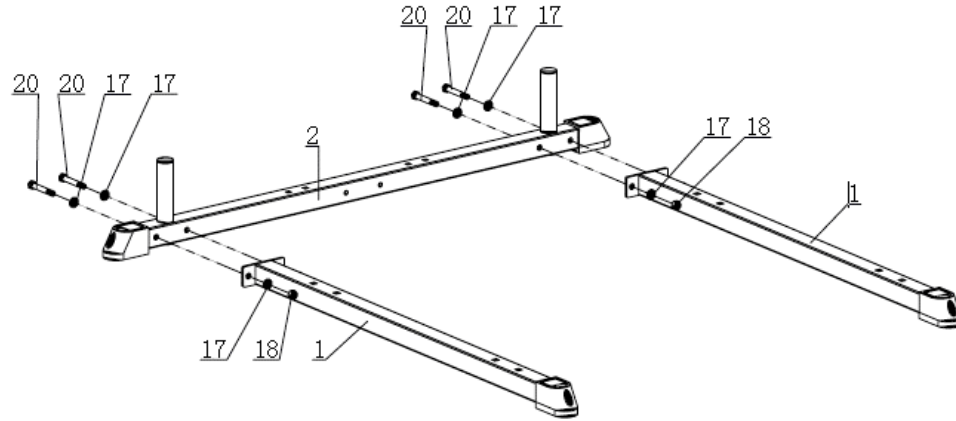
No.18 M12 Nut(28)



ASSEMBLY INSTRUCTIONS

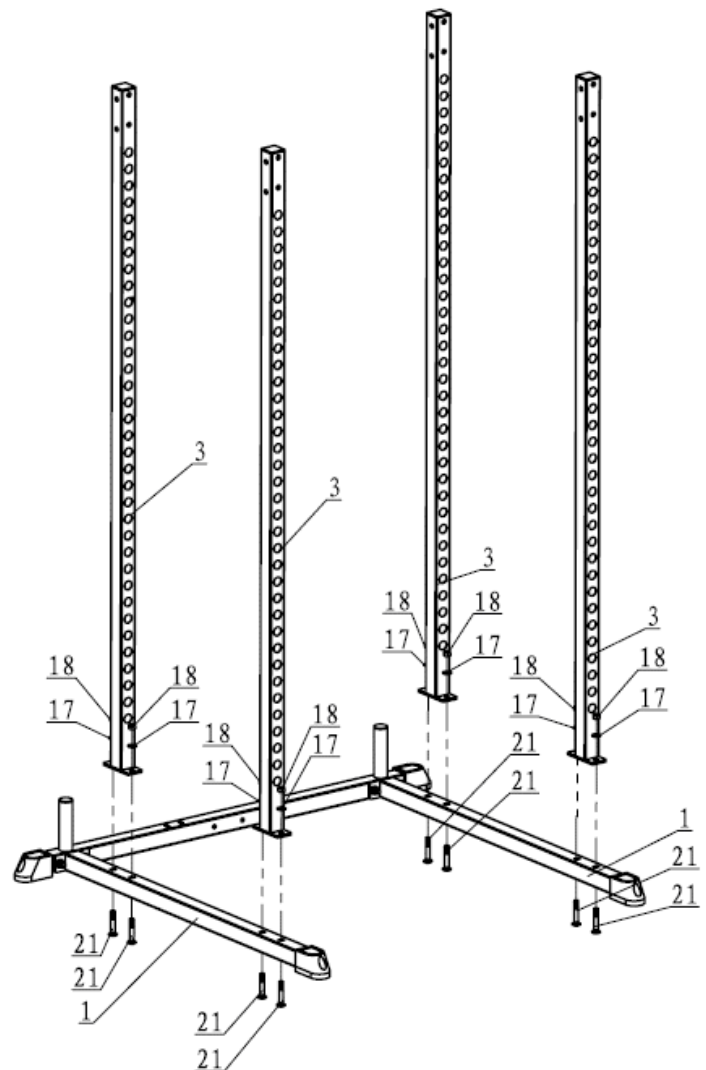
STEP 1

Connect the Base Frame (1) and Rear Base Frame (2), using Flat Washer $\Phi 13.5 \times \Phi 24 \times 2.5$ (17), M12 Nut (18) and Hex Bolt M12*80(20).



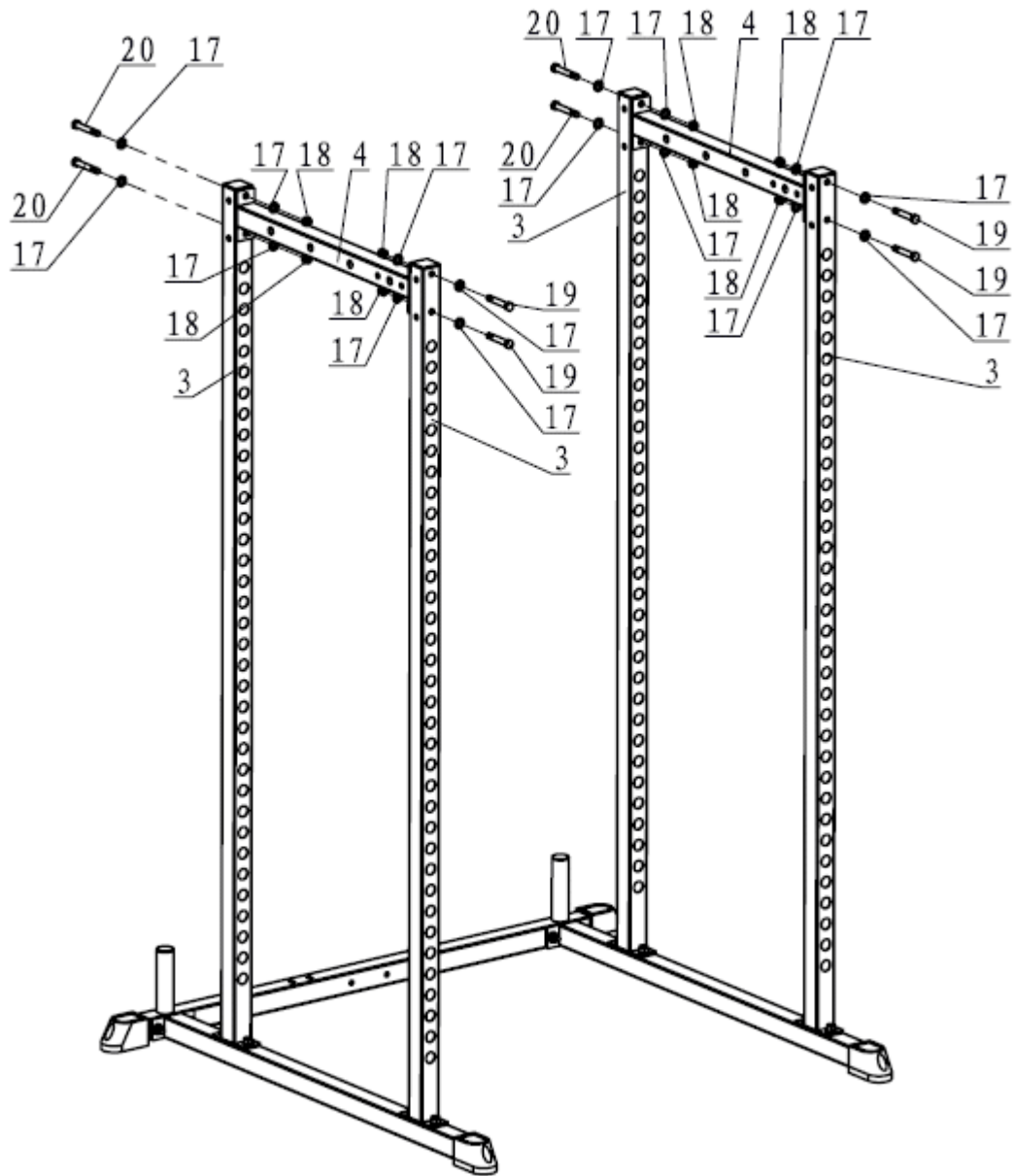
STEP 2

Connect the Base Frame (1) and Upright Frame (3), using Flat Washer $\Phi 13.5 \times \Phi 24 \times 2.5$ (17), M12 Nut (18) and Carriage Bolt M12*70(21).



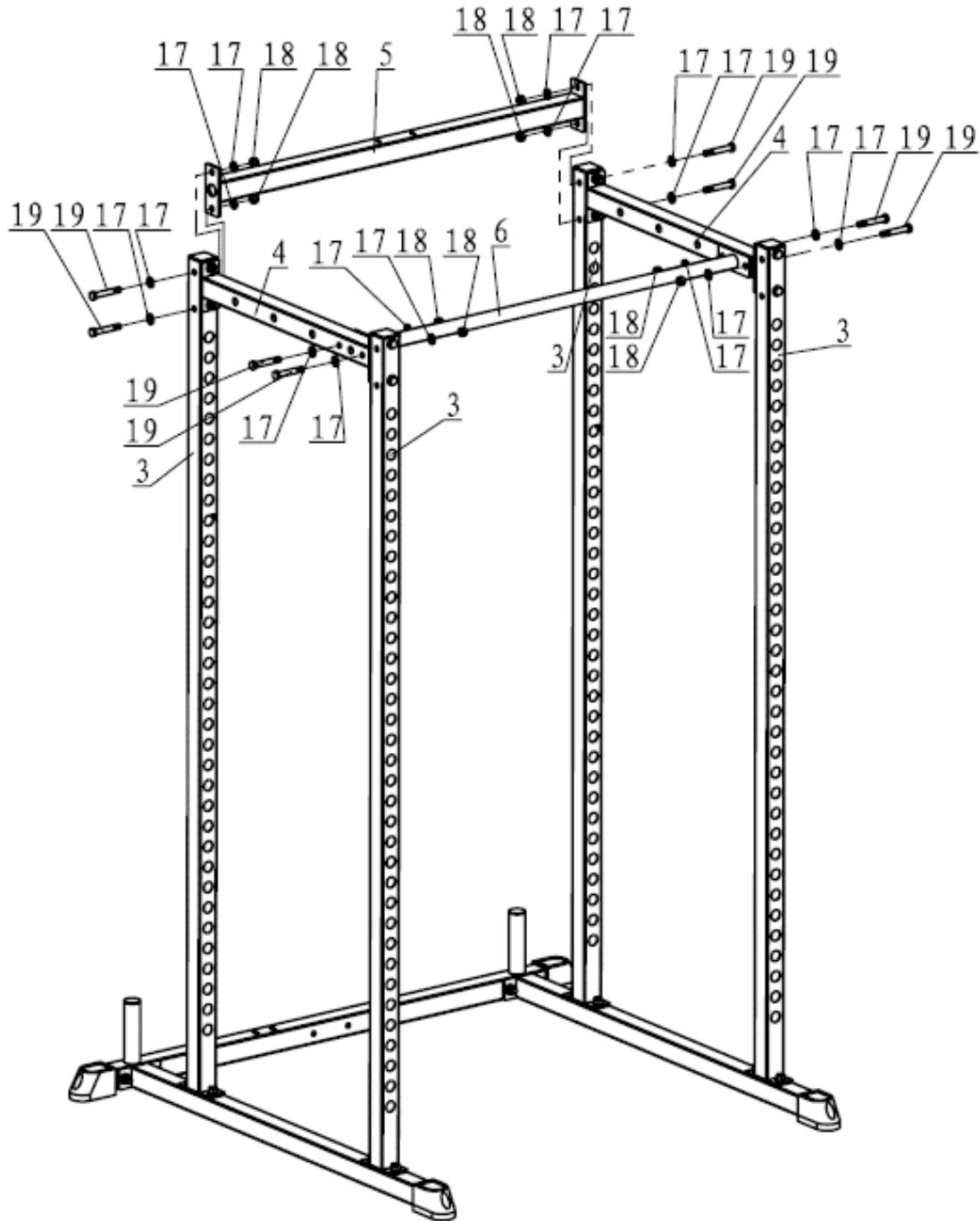
STEP 3

Connect the Upper Connecting Frame (4) and Upright Frame (3), using Flat Washer $\Phi 13.5 \times \Phi 24 \times 2.5$ (17), M12 Nut (18), Hex Bolt M12*75(19) and Hex Bolt M12*80(20).



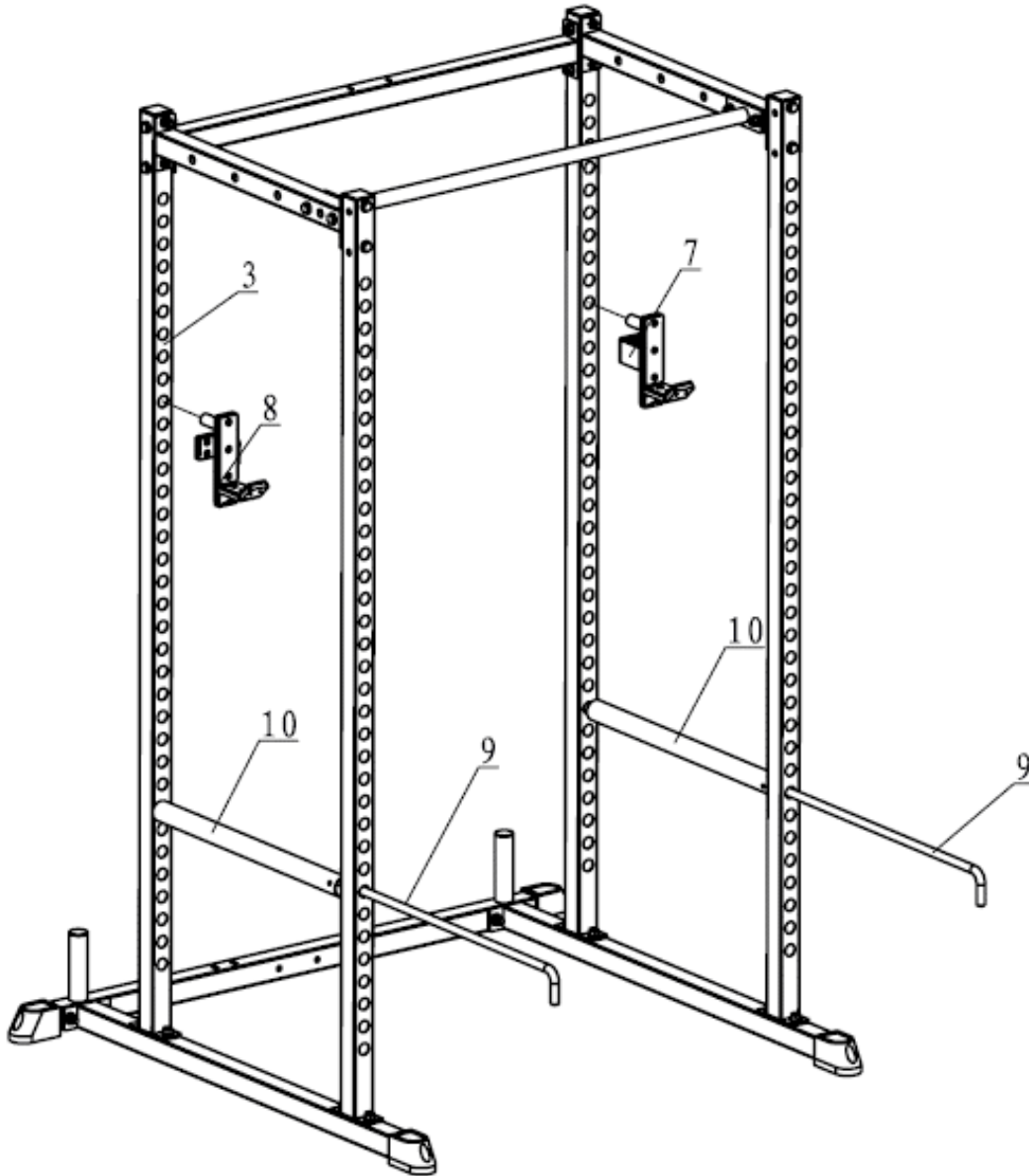
STEP 4

1. Connect the Connecting Frame (5) and Upright Frame (3), using Flat Washer $\Phi 13.5 \times \Phi 24 \times 2.5$ (17), M12 Nut (18), and Hex Bolt M12*75(19).
2. Install the Pull Up Bar (6) on the Upright frame (3), using Flat Washer $\Phi 13.5 \times \Phi 24 \times 2.5$ (17), M12 Nut (18), and Hex Bolt M12*75(19).



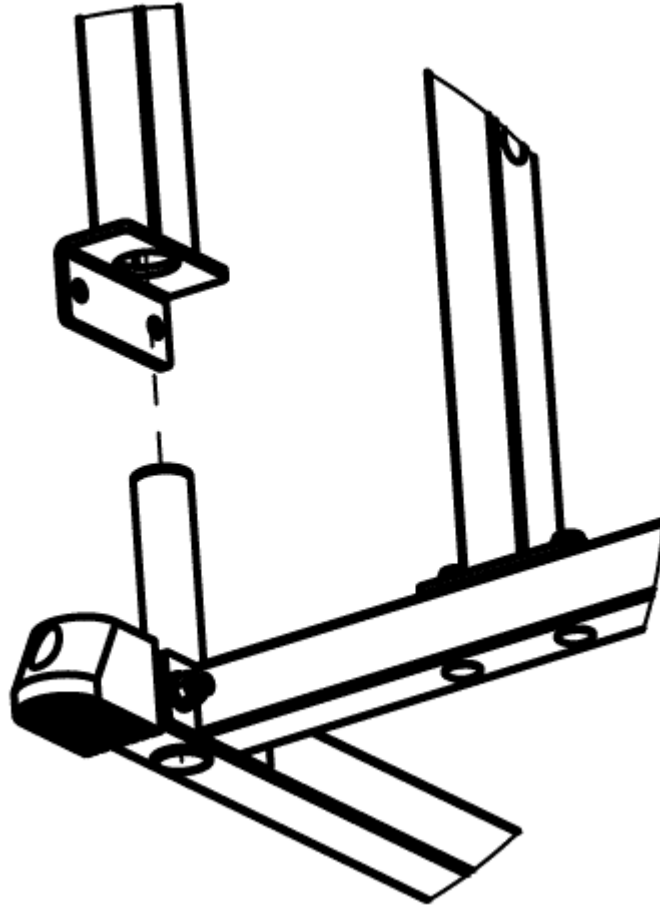
STEP 5

1. Insert the Safety Bar (9) into the hole on the Upright Frame (3).
2. Hang the J-Hook L&R (7&8) on the Upright Frame (3).



PAY ATTENTION:

"The uprights of the extension uprights have a round opening on the bottom plate to slide the uprights over the weight holders for easy installation and reduce the amount of disassembly need to upgrade to the extension".



ACKNOWLEDGEMENT OF RISK AND RELEASE OF LIABILITY

The use of any equipment, including this one, involves the potential risk of injury. Apart from any warranty claim that might be presented for a claimed defect in material or workmanship of the product, you accept and assume full responsibility for any and all injuries, damages (both economic and non-economic), and losses of any type, which may occur, and you fully and forever release and discharge Titan, its insurers, employees, officers, directors, associates, and agents from any and all claims, demands, damages, rights of action, or causes of action, present or future, whether the same be known or unknown, anticipated, or unanticipated, resulting from or arising out of the use of said equipment.

This equipment must be used with care by capable and competent individuals under supervision,

WARNING



Heavy object. Use lifting aids and proper lifting techniques when moving.



Choking hazard. Small parts – Please exercise caution if small children or pets are present.



Sharp objects may be involved. Use precaution and protection.

TITAN LIMITED WARRANTY: TERMS, EXCLUSIONS AND LIMITATIONS OF REMEDIES

This product comes with a one (1) year limited warranty that can be found at www.titan.fitness/warranty.html Please review the same for all details regarding the Titan Limited Warranty.

THE TITAN LIMITED WARRANTY FOUND AT WWW.TITAN.FITNESS/WARRANTY IS EXCLUSIVE AND IS IN LIEU OF ALL OTHER WARRANTIES, EXPRESS OR IMPLIED, INCLUDING ANY IMPLIED WARRANTY OF MERCHANTABILITY AND/OR FITNESS FOR A PARTICULAR PURPOSE, EACH OF WHICH IS HEREBY DISCLAIMED.



NEED HELP? CONTACT US FIRST.

1-888-410-1503

info@titan.fitness

www.titan.fitness

© 2023 Titan Brands