

# TORO TO SKID ADAPTER

---

TORO2SS

114209

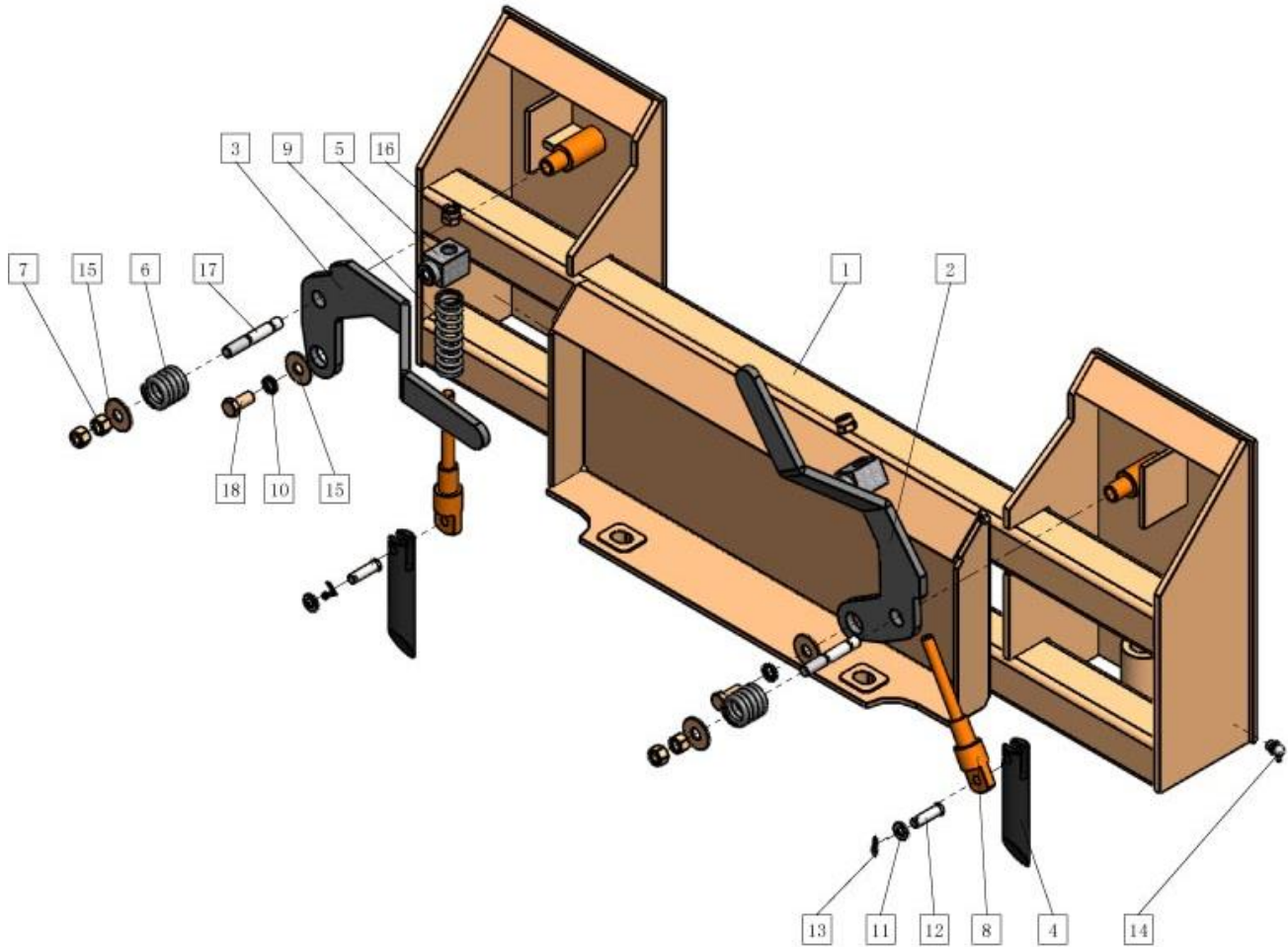


## Operator's Manual



Read the Operator's Manual entirely. When you see this symbol, the subsequent instructions and warnings are serious follow without exception. Your life and the lives of others depend on it!

**PARTS DIAGRAM / EXPLODED VIEW**



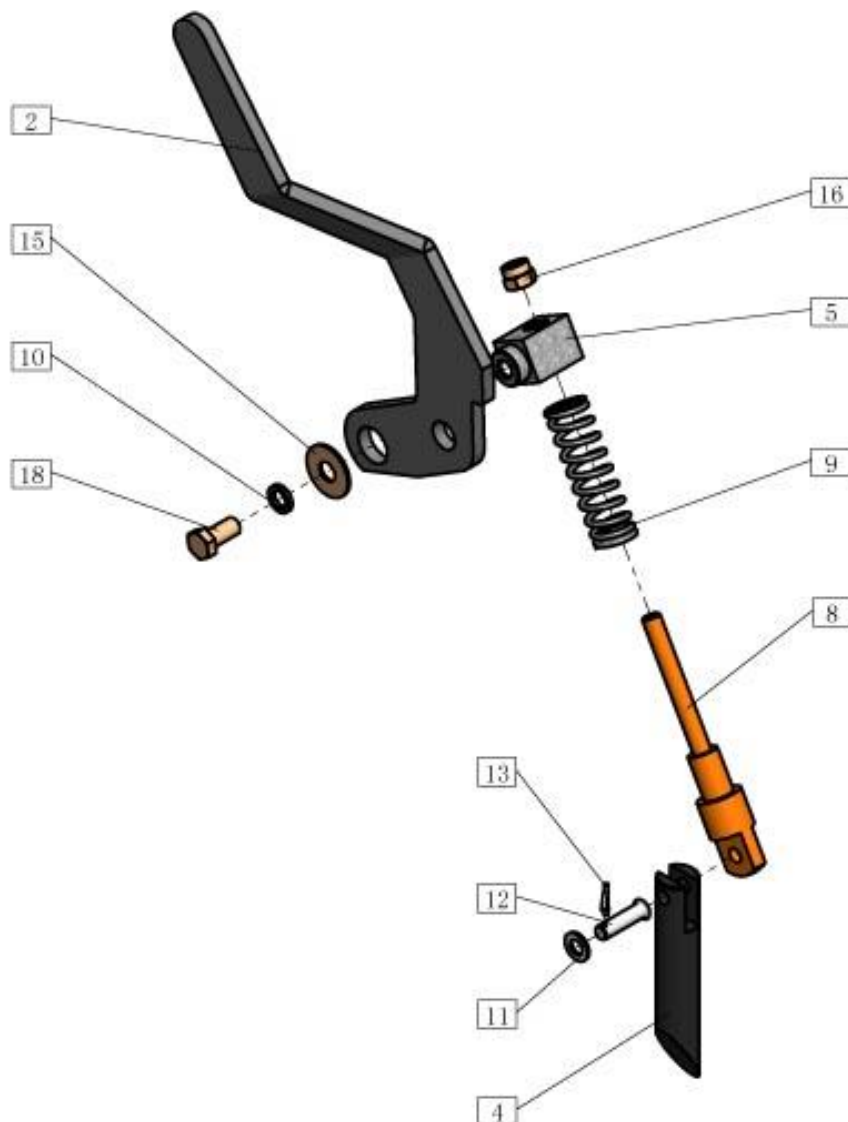
| KEY | DESCRIPTION          | QTY | KEY  | DESCRIPTION          | QTY |
|-----|----------------------|-----|------|----------------------|-----|
| (1) | TORO2SS FRAME        | 1   | (10) | SPRING WASHER 12     | 2   |
| (2) | LEFT LATCH HANDLE    | 1   | (11) | FLAT WASHER 10       | 2   |
| (3) | RIGHT LATCH HANDLE   | 1   | (12) | PIN                  | 2   |
| (4) | QUICK TACH PIN SHAFT | 2   | (13) | COTTER PIN           | 2   |
| (5) | COUPLING HINGE CUBE  | 2   | (14) | GREASE ZERK          | 2   |
| (6) | HANDLE SPRING        | 2   | (15) | BIG SHIM WASHER 12   | 4   |
| (7) | HEX NUT M12X1.5      | 4   | (16) | HEX LOCK NUT M12X1.5 | 2   |
| (8) | SPRING INSERT ROD    | 2   | (17) | STUB BOLT M12X1.5X25 | 2   |
| (9) | QUICK TACH SPRING    | 2   | (18) | HEX BOLT M12X25      | 2   |

## ASSEMBLY INSTRUCTIONS

---

### STEP 1 – ASSEMBLE LEFT HANDLE

- Attach and tighten QUICK TACH PIN SHAFT (4) and SPRING INSERT ROD (8) using PIN (12), FLAT WASHER 12 (11) and COTTER PIN (13). The order of assembly is to push PIN (12) through QUICK TACH PIN SHAFT (4), SPRING INSERT ROD (8) and FLAT WASHER 12 (11), and then insert COTTER PIN (13) to the end hole of PIN (12).
- Insert QUICK TACH SPRING (9) to SPRING INSERT ROD (8) and place COUPLING HINGE CUBE (5) on top, and then fasten and tighten these parts together with HEX LOCK NUT M12 (16).
- Push the QUICK TACH PIN SHAFT (4) through the pin sleeve on the bottom of SS2TORO FRAME (1).
- Fasten and tighten LEFT HANDLE (2) onto COUPLING HINGE CUBE (5), using SHIM WASHER Ø35 (15), SPRING WASHER 12 (10), and HEX BOLT M12x25 (18). The order of assembly is to push HEX BOLT M12x25 (18) through SPRING WASHER 12 (10), SHIM WASHER Ø35 (15) and LEFT HANDLE (2), and then tighten the bolt.

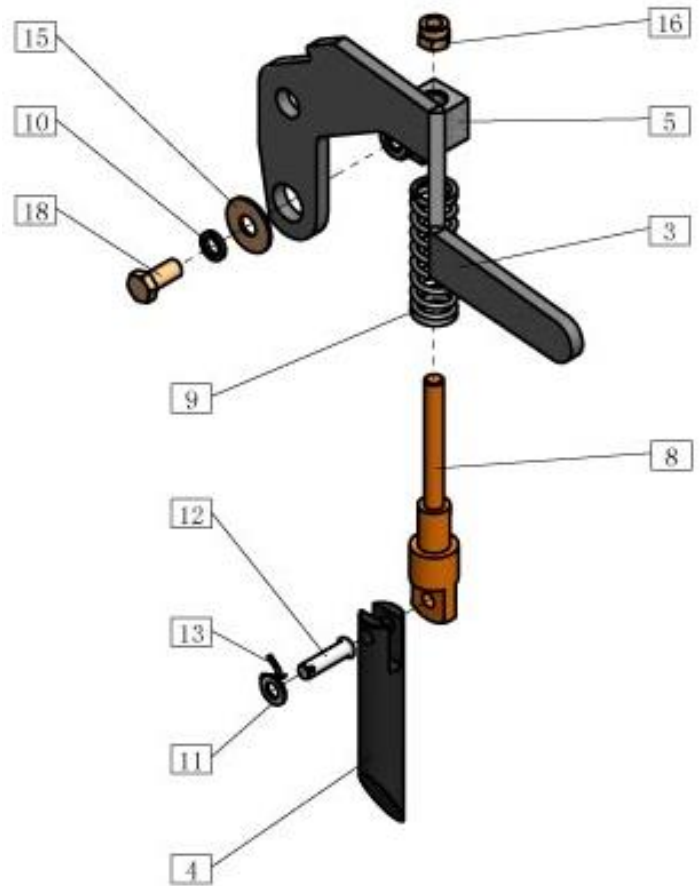


## STEP 2 - ASSEMBLE RIGHT HANDLE

- Repeat the Step 1 procedures for RIGHT HANDLE (3).

## STEP 3 – ASSEMBLE LEFT HANDLE ONTO THE SS2TORO FRAME

- Fasten but do not tighten LEFT HANDLE (2) to SS2TORO FRAME (1) using two HEX NUT M12 (7), SHIM WASHER 12 (15), STUD BOLT M12X65 (17) and HANDLE SPRING (6). The order of assembly is to push STUD BOLT M12X65 (17) through HANDLE SPRING (6) and attach the assembly to SS2TORO FRAME (1), and then attach SHIM WASHER 12 (15), two HEX NUT M12 (7) to the end of STUD BOLT M12X65 (17). Do not tighten but adjust the tightness of the handle movement by adjusting the two HEX NUT M12 (18), until the handle turns smoothly while not loosely.

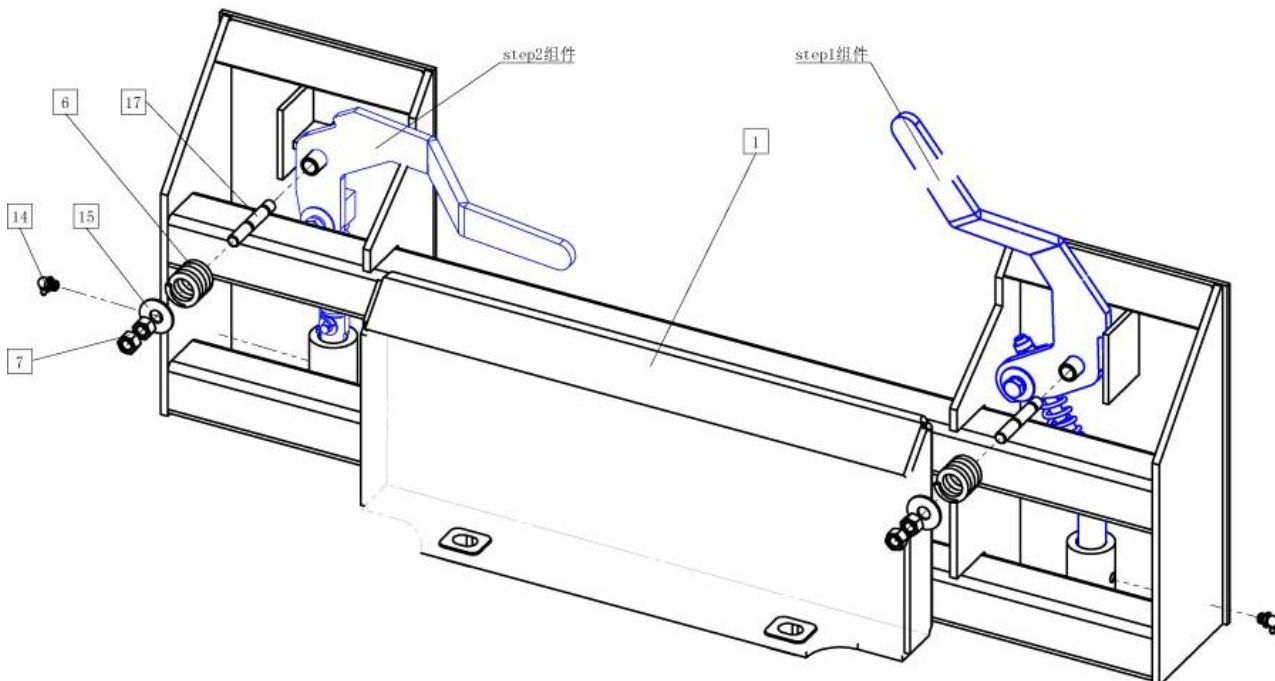


## STEP 4 – ASSEMBLE RIGHT HANDLE ONTO THE SS2TORO FRAME

- Repeat the Step 3 procedures for RIGHT HANDLE (3).

## STEP 5 – BOLT ON GREASE ZERK

- Bolt on the Grease Zerk (14) to both pin sleeves on the bottom of SS2TORO FRAME (1).



## ACKNOWLEDGEMENT OF RISK AND RELEASE OF LIABILITY

---

The use of any equipment, including this one, involves the potential risk of injury. Apart from any warranty claim that might be presented for a claimed defect in material or workmanship of the product, you accept and assume full responsibility for any and all injuries, damages (both economic and non-economic), and losses of any type, which may occur, and you fully and forever release and discharge Titan, its insurers, employees, officers, directors, associates, and agents from any and all claims, demands, damages, rights of action, or causes of action, present or future, whether the same be known or unknown, anticipated, or unanticipated, resulting from or arising out of the use of said equipment.

This equipment must be used with care by capable and competent individuals under supervision, if necessary.

## WARNING

---



**Do not overfill!** Mower should be level when checking oil in gear box.



some activities might be able to cause electric shock



Sharp objects may be involved.  
Use protective cover during maintenance.

## TITAN LIMITED WARRANTY: TERMS, EXCLUSIONS AND LIMITATIONS OF REMEDIES

---

This product comes with a one (1) year limited warranty that can be found at [www.palletforks.com/warranty.html](http://www.palletforks.com/warranty.html). Please review the same for all details regarding the Titan Limited Warranty.

**THE TITAN LIMITED WARRANTY FOUND AT [WWW.PALLETFORKS.COM/WARRANTY.HTML](http://WWW.PALLETFORKS.COM/WARRANTY.HTML) IS EXCLUSIVE AND IS IN LIEU OF ALL OTHER WARRANTIES, EXPRESS OR IMPLIED, INCLUDING ANY IMPLIED WARRANTY OF MERCHANTABILITY AND/OR FITNESS FOR A PARTICULAR PURPOSE, EACH OF WHICH IS HEREBY DISCLAIMED.**



**NEED HELP? CONTACT US FIRST.**

**1-800-605-7595**

[info@palletworks.com](mailto:info@palletworks.com)

[www.palletforks.com](http://www.palletforks.com)

© 2023 Titan Brands